

LUMINAIRE
Galarneau

Alite

LED Panel Series

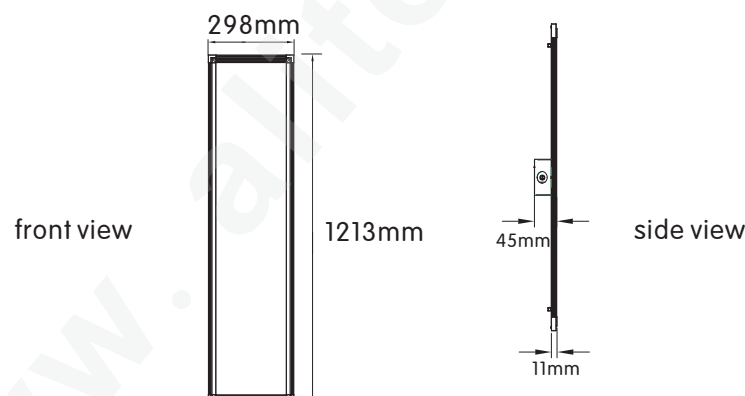
LP-1203-45W-NA



Product Description

- Seamless connection structure, Unique own design model, Ultra thickness <11mm.
- Driver protected by junction box ,Fixed on back of panel ,More safe & stable.
- Four corner protected by electroplating PC cover ,avoid sharp corner to hurt body.
- The output lead wire screwed by connector, easy wiring & installation.
- Stable driver with UL/cUL ,brand LED with LM80 report,5 years warranty .
- Approved by DLC UL/cUL(#E466848) FCC ROHS.

Dimension



ALITE CO., LTD.

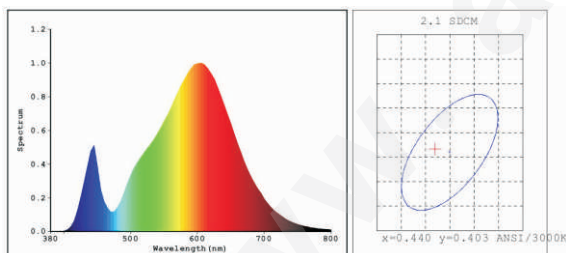
Add:Building #7, Tongfucun Industrial Park, Dalang North Road, Longhua New District, Shenzhen, China 518109
Tel : 0755-29515851/52/53 Fax : 0755-29515850 Website : www.aliteled.com Email : info@aliteled.com

Product Specification

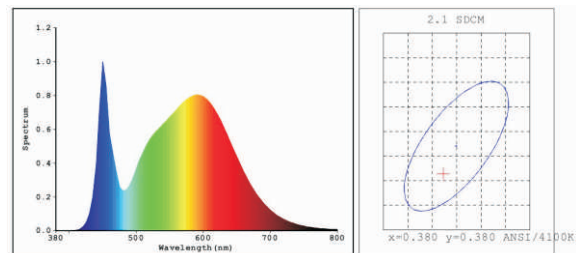
Product Name	LP-1203-45W-NA			
Rated Power	45W			
Input-voltage	100~277VAC			
Frequency	50~60Hz			
Power Factor	>0.9			
Color Temperature (typical)	3000K	4000K	5000K	6500K
Luminous Flux (typical)	3480 LM	3850 LM		
Beam Angle	150°			
CRI	≥82			
SDCM	≤5.0			
THD	<18%			
Dimming Function	0-10V dimmable(Optional)			
Operating Temperature	-25℃~+40℃			
Finish Color	Silver、White			
Heat Sink	6063 Aviation Aluminum			
Warranty	5 years			

Remark: Luminous Flux 10% tolerance

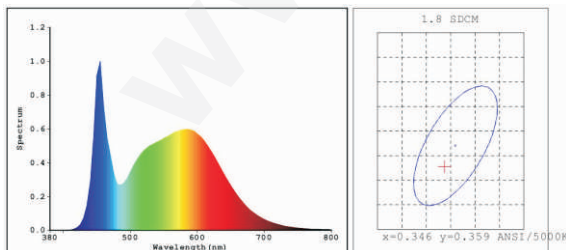
Color Temperature and SDCM



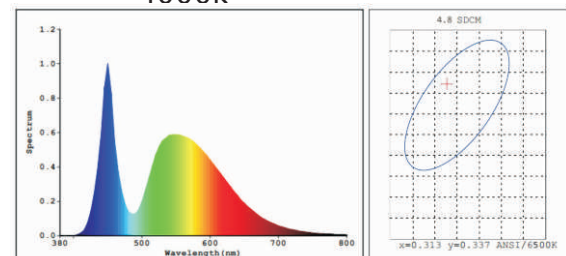
3000K



4000k



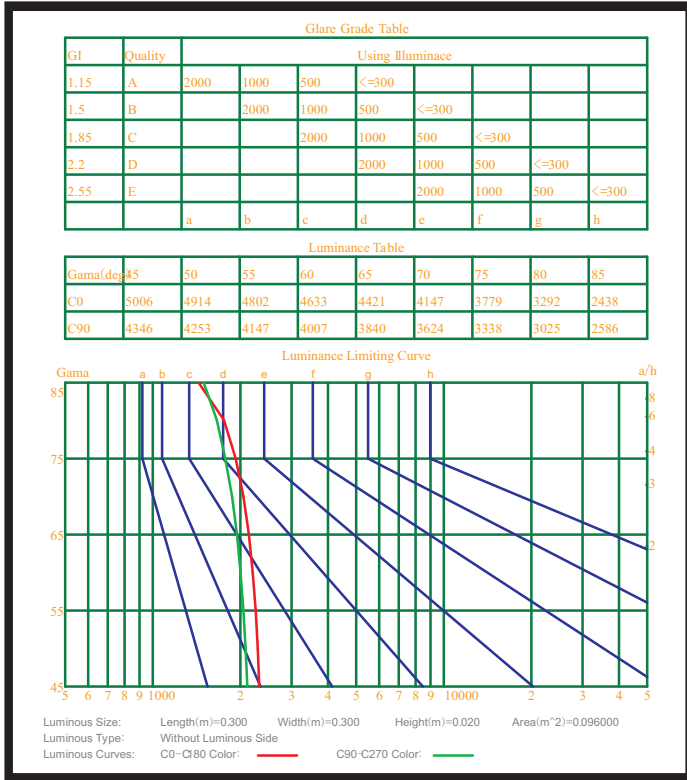
5000K



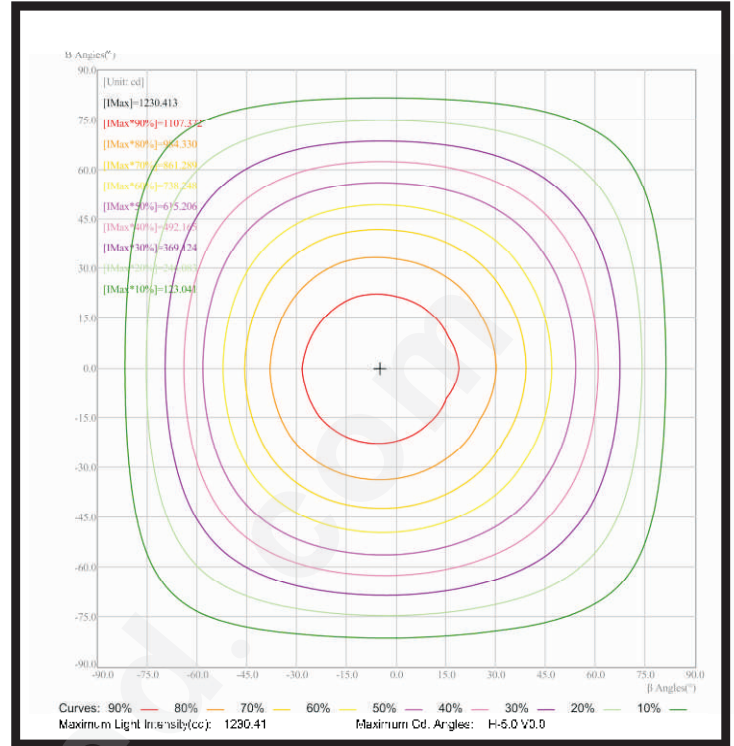
6500k

Distribution Curve Flux

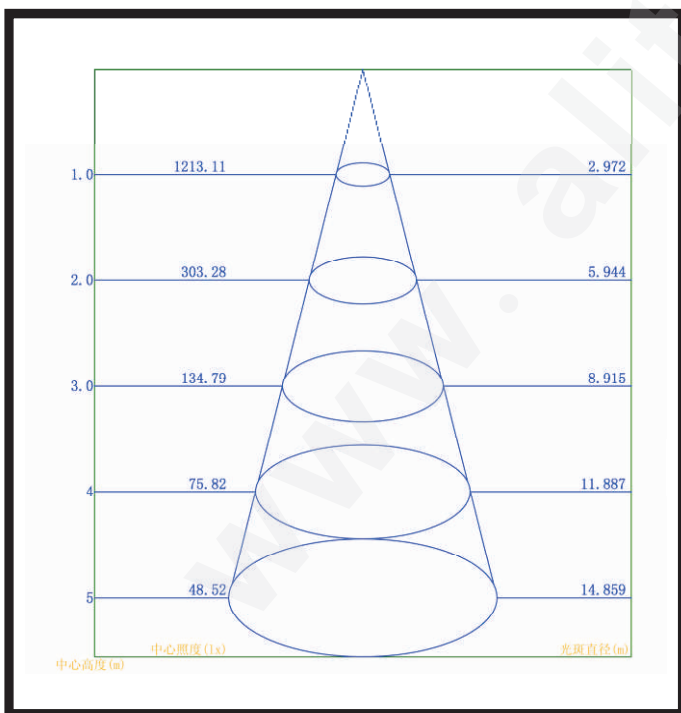
Indoor Luminance Limiting Curve



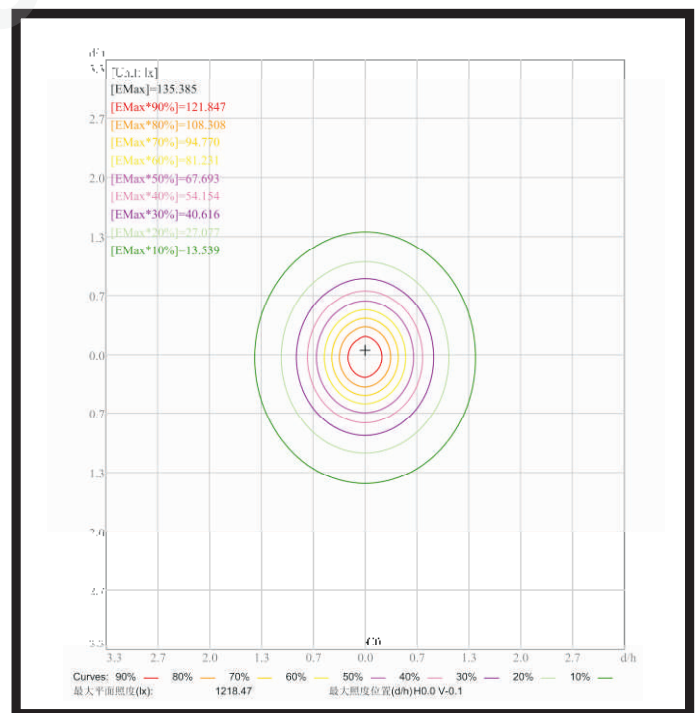
Rectangle ISO Light Intensity Curve



Illuminance-Distance Curve



Illuminance-Distance Curve



Application Reference

Application for most indoor area for Commercial Lighting, residential lighting and Industrial lighting, etc.

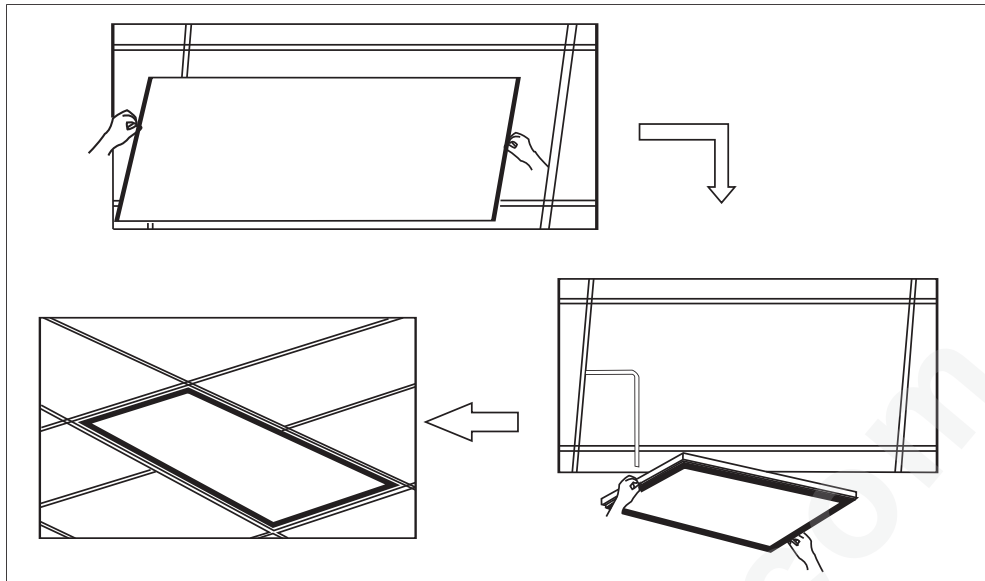
Warning and caution:

- ① Don't use in completely enclosed fixture and damp area.
- ② Used as safety or emergency lamps are not recommended.

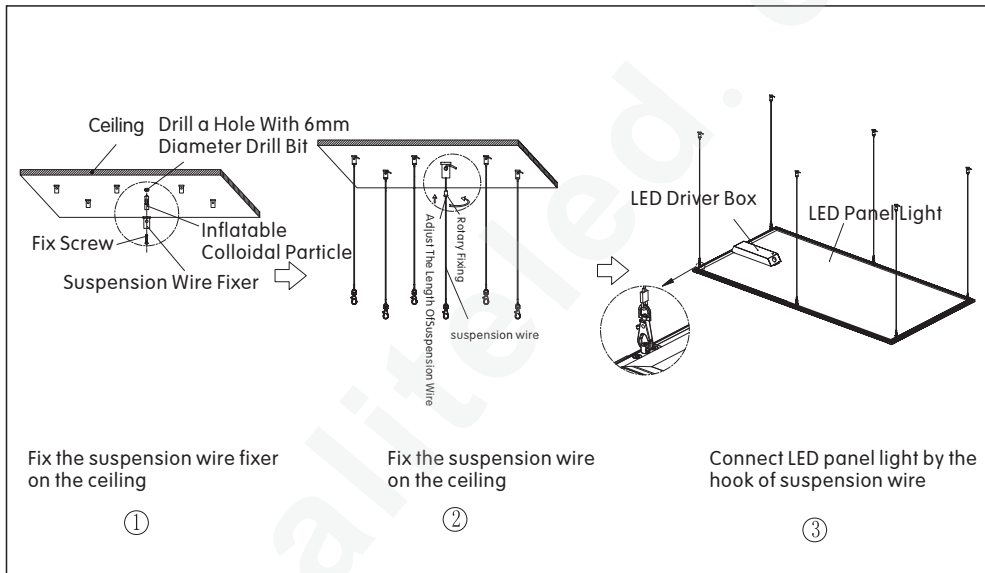


Installation Guide

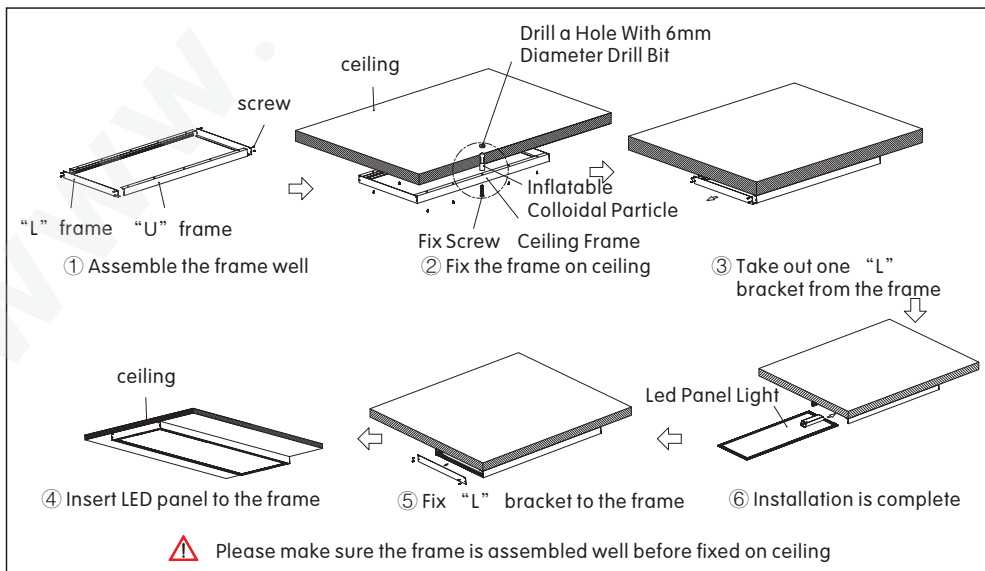
Build-in



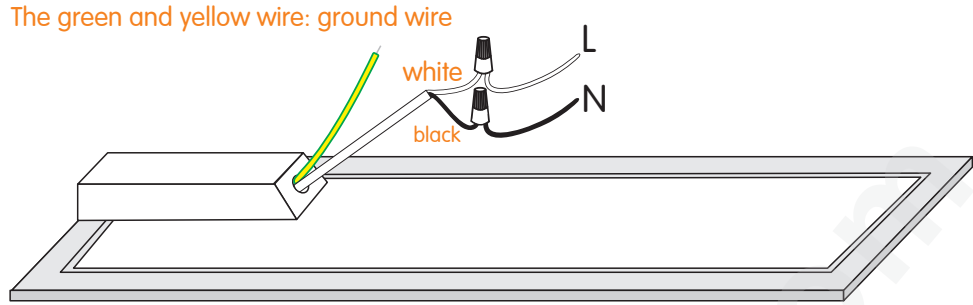
Suspended



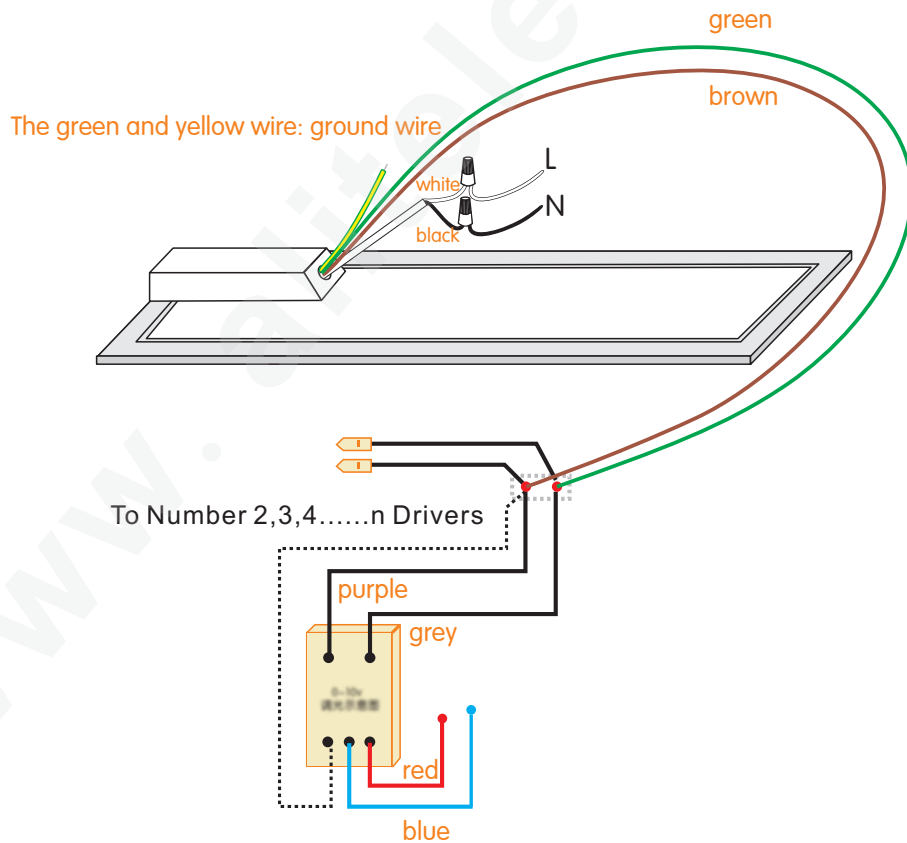
Surface Mount



Connection Mode

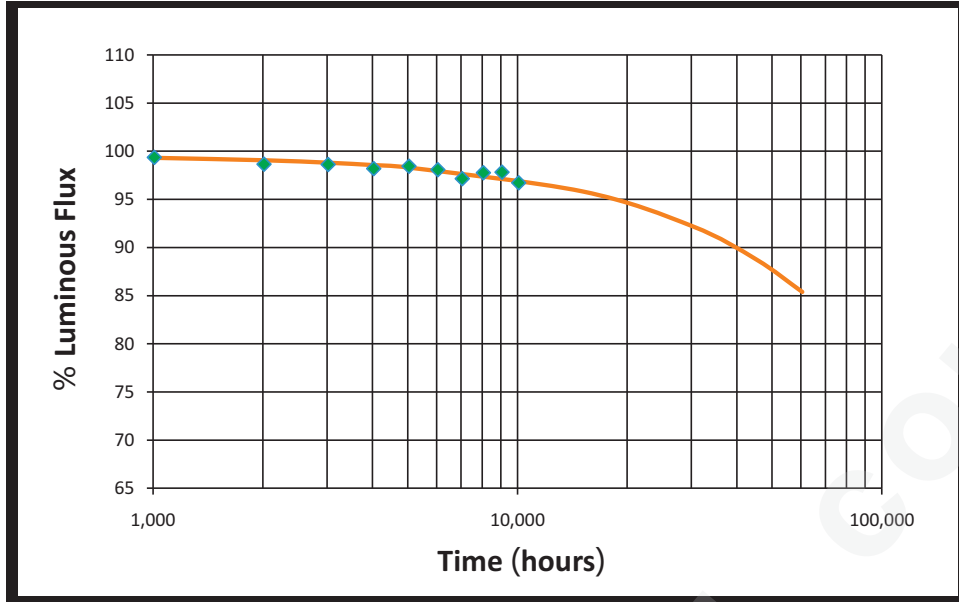


(1) Non-dimmable wiring diagram

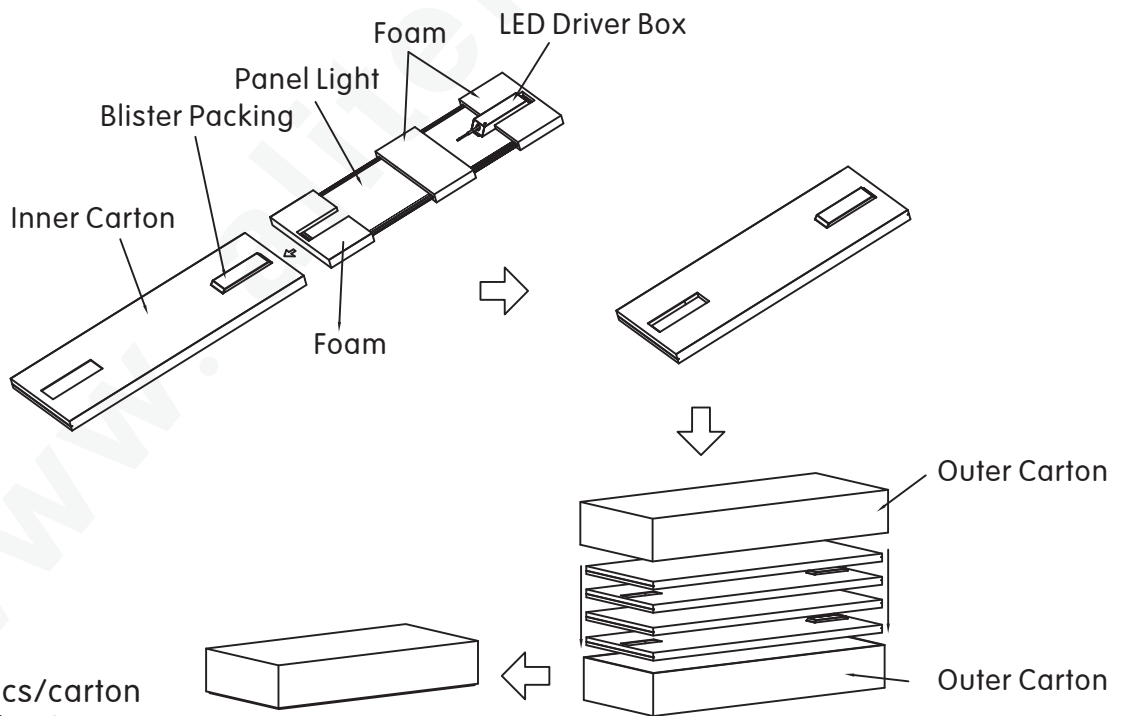


(2) 0-10V dimmable diagram

Luminous Decay Graph



Packing Information



N.W: 3.7kg
 Quantity: 4 pcs/carton
 G.W: 17.5kg/carton
 Carton Size: L1265mm*W350mm*H190mm