

LUMINAIRE
Galarneau

Alite

LED Panel Series

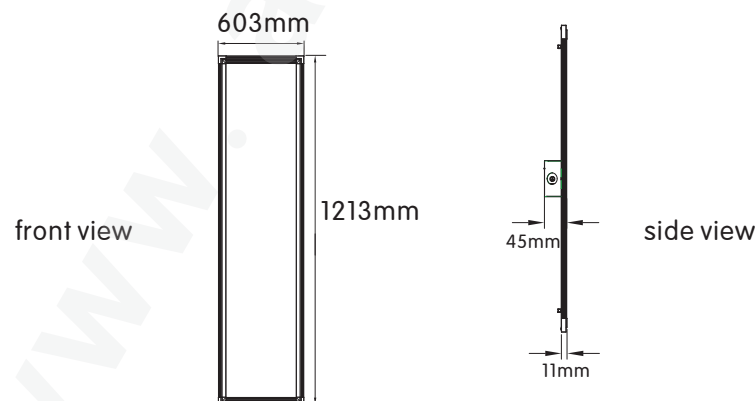
LP-1206-70W-NA



Product Description

- Seamless connection structure, Unique own design model, Ultra thickness <math>< 11\text{mm}</math>.
- Driver protected by junction box ,Fixed on back of panel ,More safe & stable.
- Four corner protected by electroplating PC cover ,avoid sharp corner to hurt body.
- The output lead wire screwed by connector, easy wiring & installation.
- Stable driver with UL/cUL ,brand LED with LM80 report,5 years warranty .
- Approved by DLC UL/cUL(#E466848) FCC ROHS.

Dimension

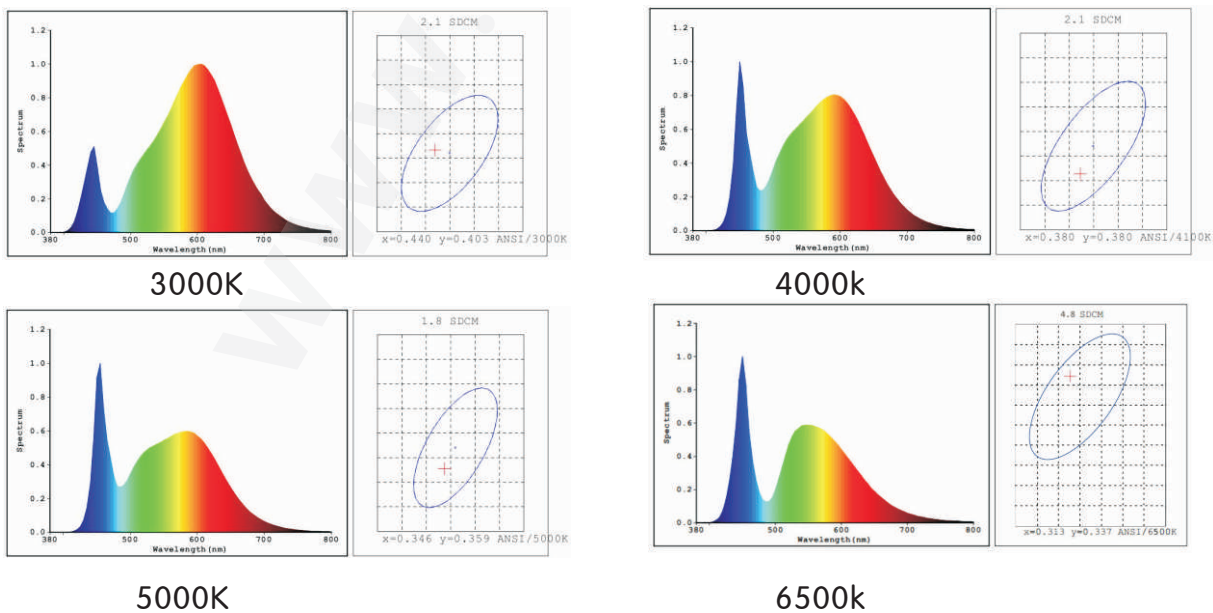


Product Specification

Product Name	LP-1206-70W-NA			
Rated Power	70W			
Input-voltage	100~277VAC			
Frequency	50~60Hz			
Power Factor	>0.9			
Color Temperature (typical)	3000K	4000K	5000K	6500K
Luminous Flux (typical)	5460 LM	5970 LM		
Beam Angle	150°			
CRI	≥82			
SDCM	≤5.0			
THD	<18%			
Dimming Function	0-10V dimmable(Optional)			
Operating Temperature	-25°C~+40°C			
Finish Color	Silver、White			
Heat Sink	6063 Aviation Aluminum			
Warranty	5 years			

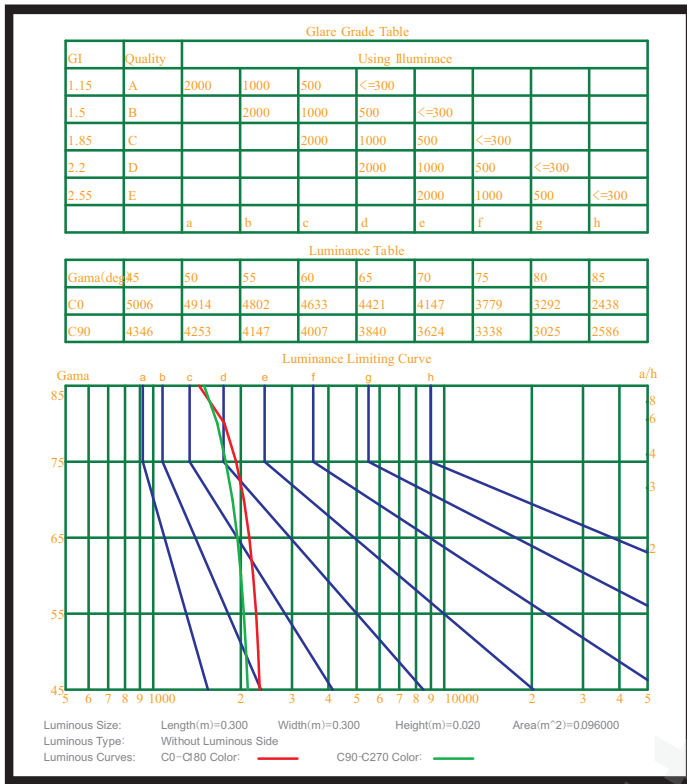
Remark: Luminous Flux 10% tolerance

Color Temperature and SDCM

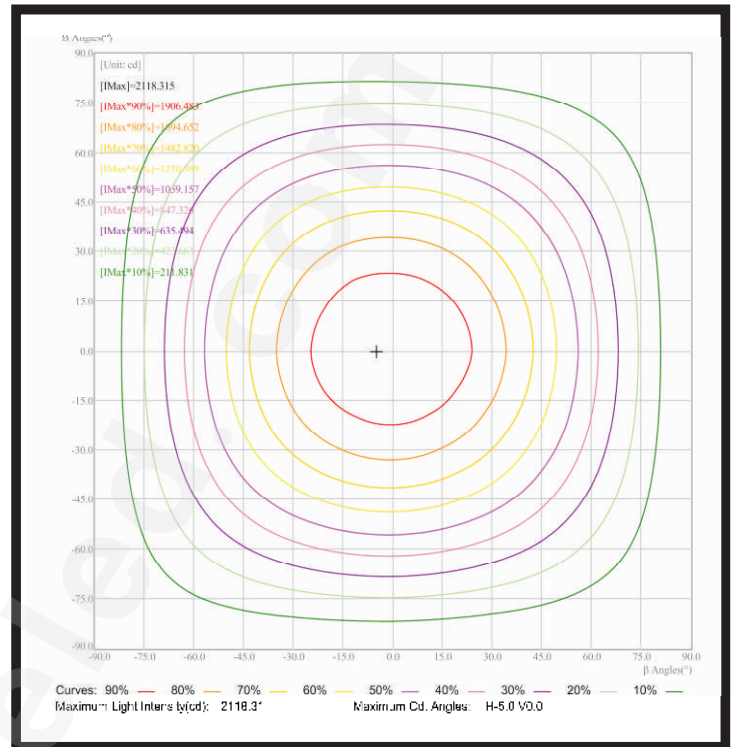


Distribution Curve Flux

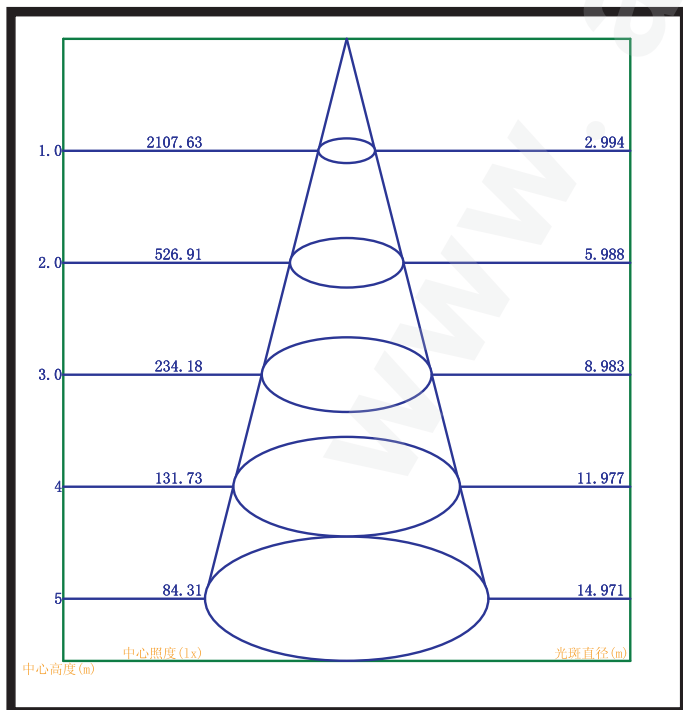
Indoor Luminance Limiting Curve



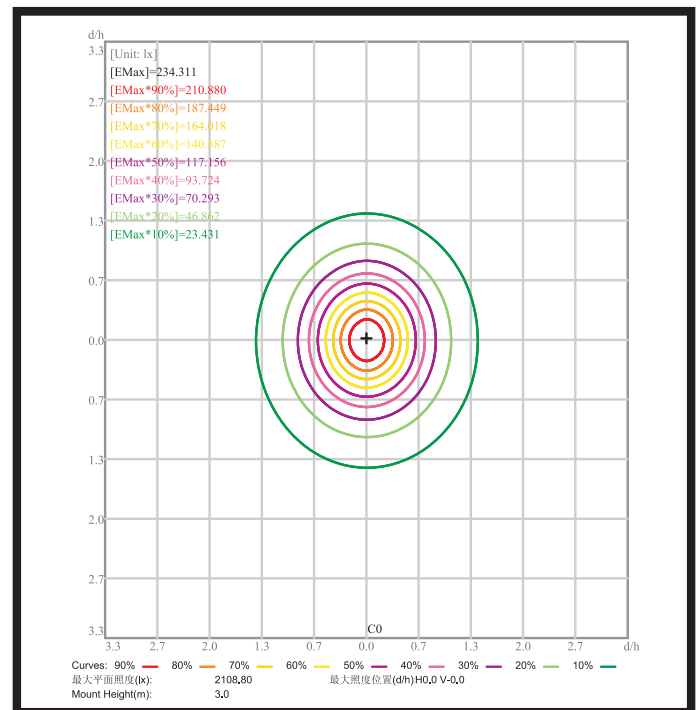
Rectangle ISO Light Intensity Curve



Illuminance-Distance Curve



Illuminance-Distance Curve



Application Reference

Application for most indoor area for Commercial Lighting, residential lighting and Industrial lighting, etc.

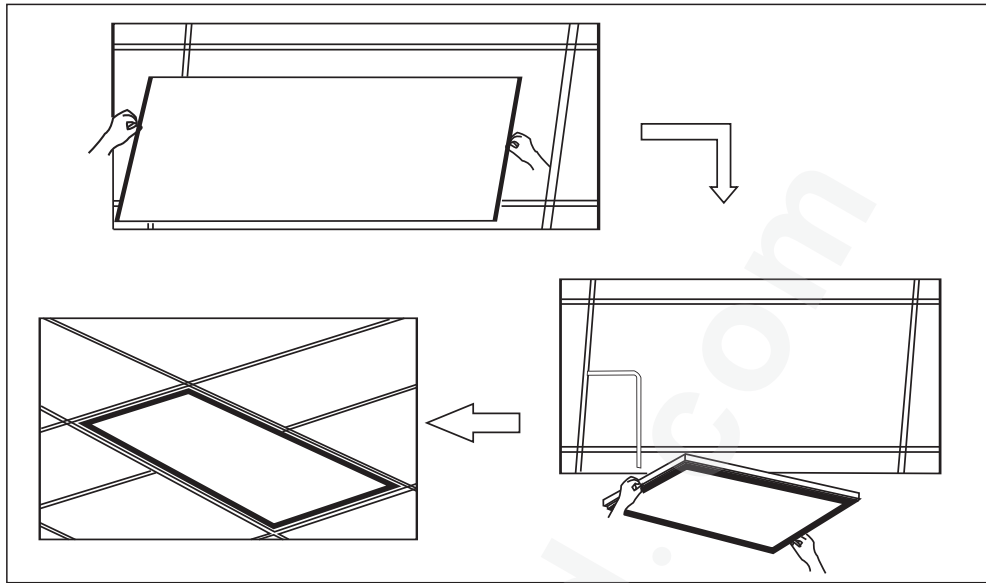
Warning and caution:

- ① Don't use in completely enclosed fixture and damp area.
- ② Used as safety or emergency lamps are not recommended.

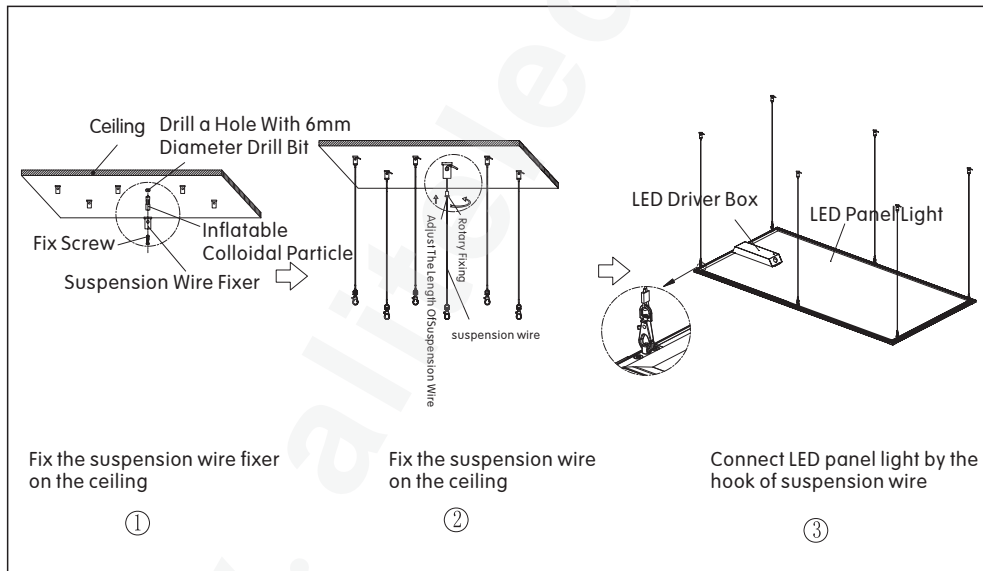


Installation Guide

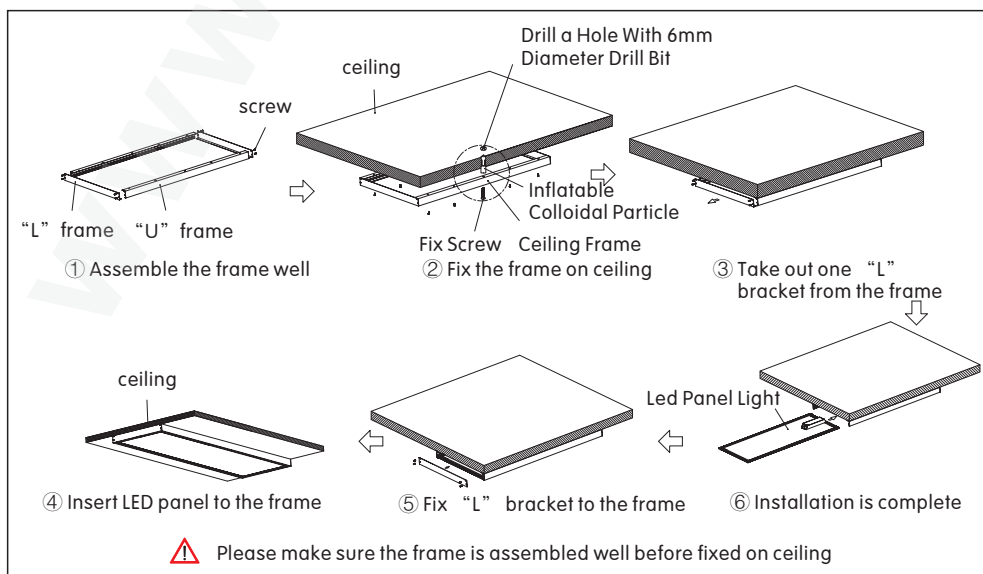
Build-in



Suspended

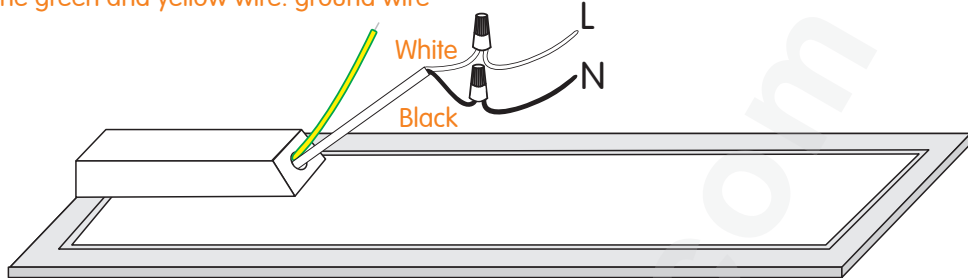


Surface Mount

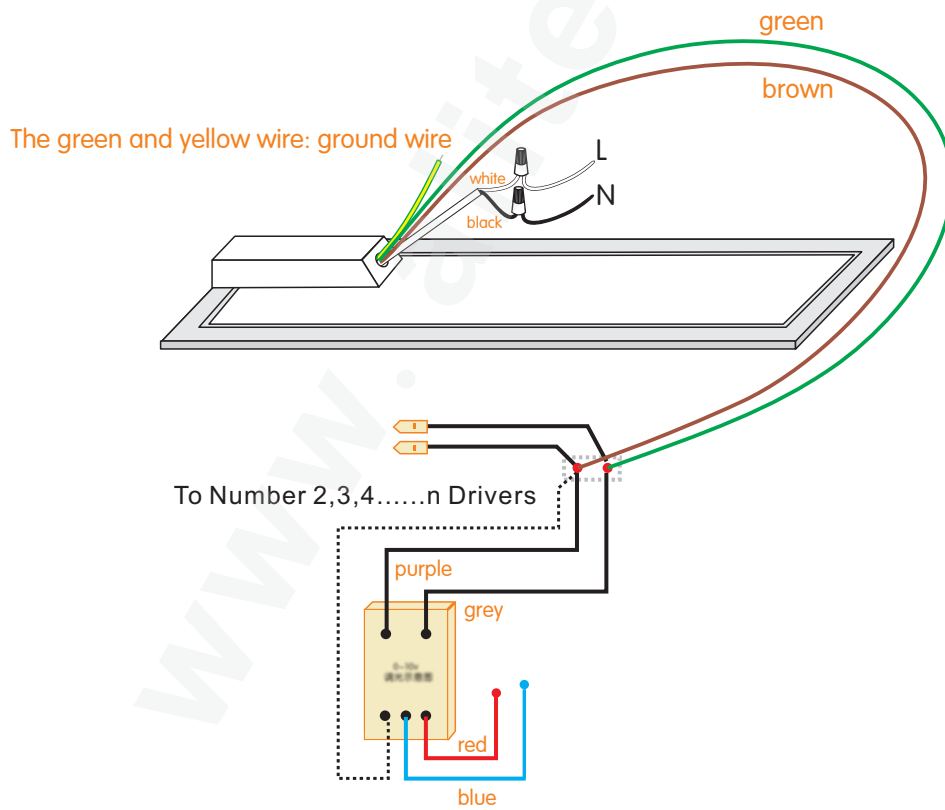


Connection Mode

The green and yellow wire: ground wire

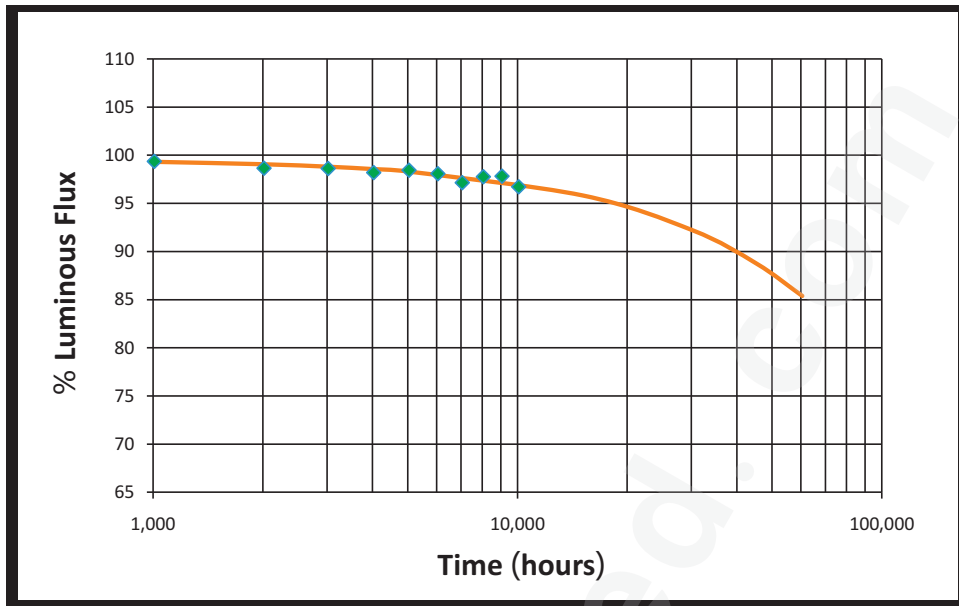


(1) Non-dimmable wiring diagram

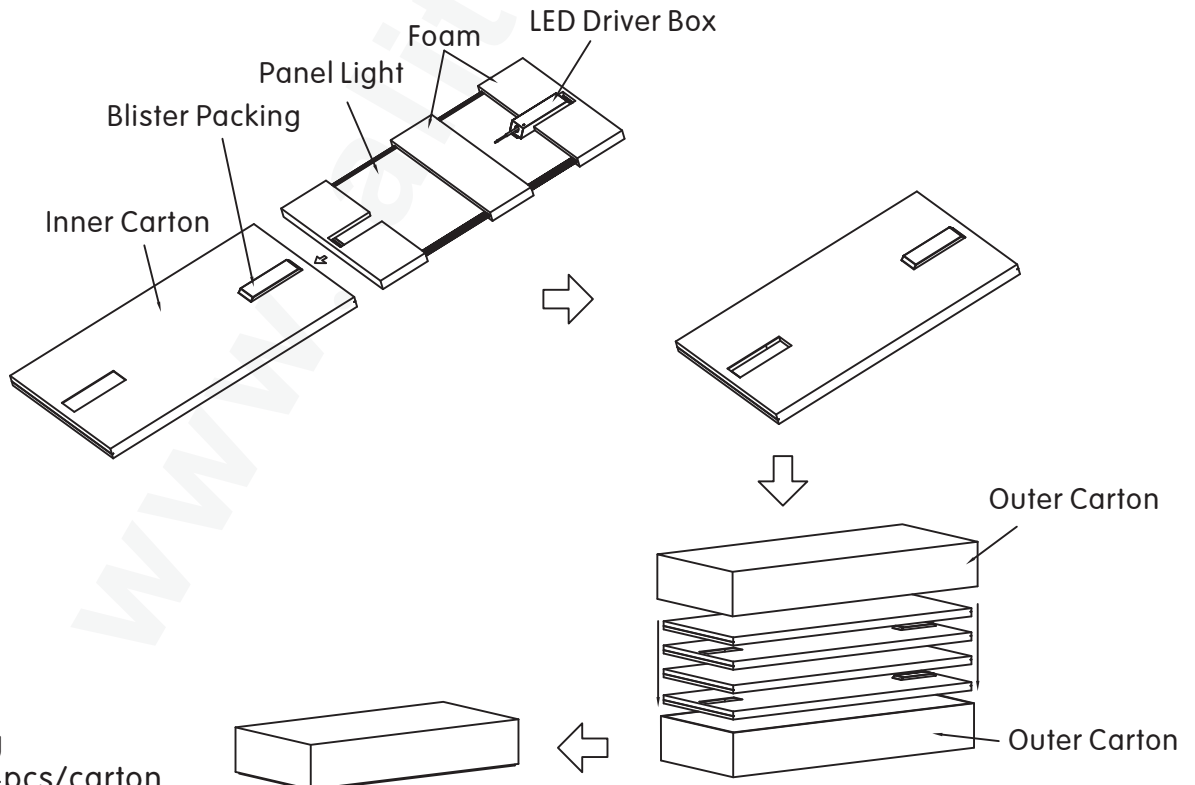


(2) 0-10V dimmable diagram

Luminous Decay Graph



Packing Information



N.W: 6.5kg
 Quantity: 4pcs/carton
 G.W: 33.72kg/carton
 Carton Size: L1290mm*W675mm*H110mm