

LUMINAIRE
Galarneau

Alite

Panel Series
LT-0606-45W-NA



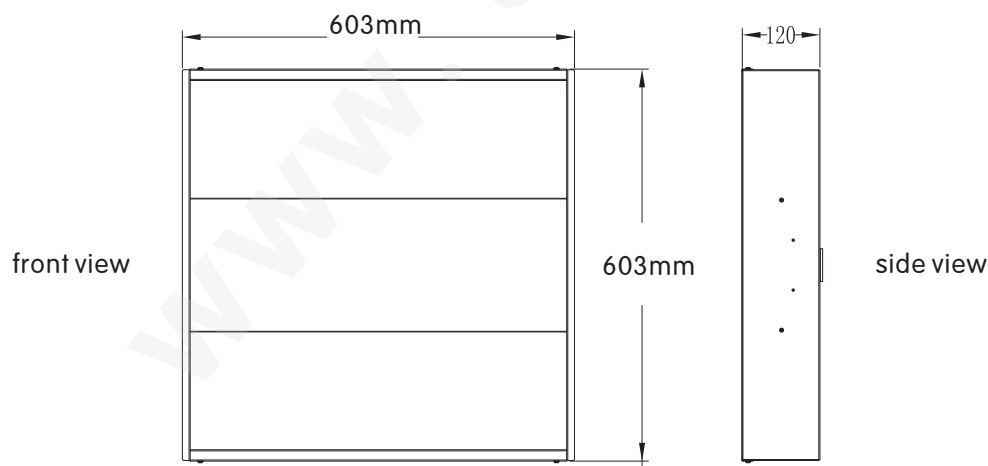
Product Feature

- Power consumption 45W;
- Maintain brightness Over 50,000 hour rated life, 5 years warranty;
- Medium–power Tanwai 2835 LED chips. LM80 report available;
- UL/cUL, FCC, RoHs approval;
- UL/cUL External power supply, long operating life.

Product description

- Special appearance; use the baking varnish craft; matte finish;
- Uniform luminance: PC cover scatters the light emitted by LED chips uniformly.
- Cambered cover on both sides reflect the light as well;
- Build–in installtion gets UL/cULapproval, replace tradtional T8/T10 fixtures dorectly;
- Pollution–free components, environmental protection and recycled;
- Non–dimmable, and 0–10V dimmable power supplier avaiable.

Dimension

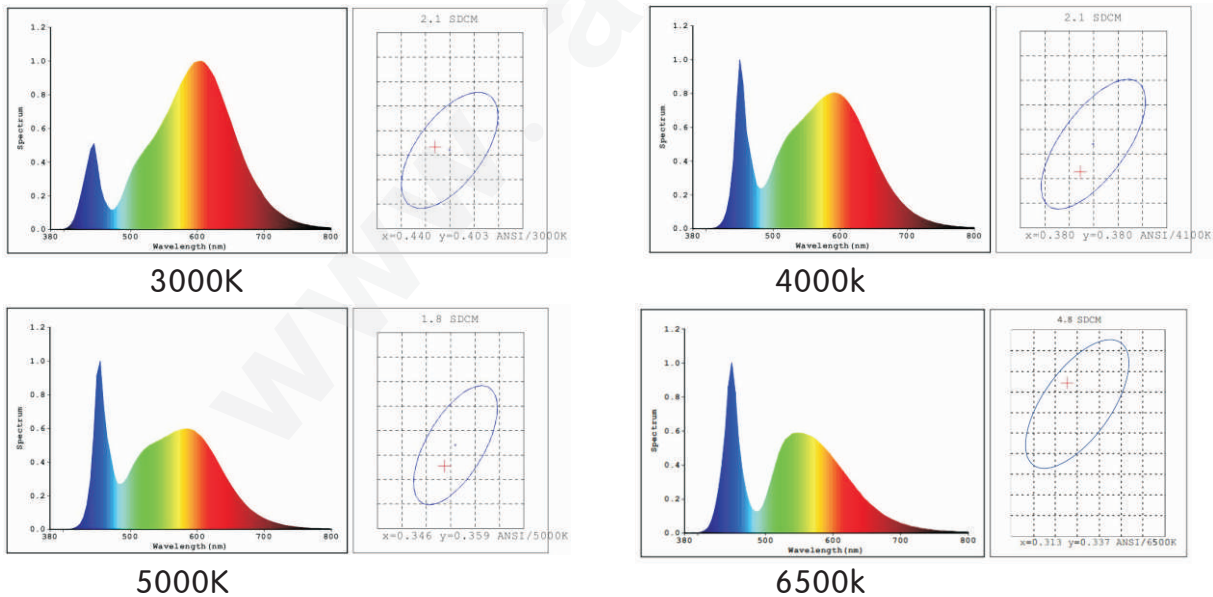


Product Specification

Product Name	LT-0606-45W-NA			
Power Consumption	45W			
Input-voltage	100 ~ 277VAC			
Frequency	50~60Hz			
Finish Color	Silver			
Color Temperature (typical)	3000K	4000K	5000K	6500K
Luminous Flux (typical)	3480 LM	3850LM		
CRI	>80			
SDCM	≤5.0			
Dimming Function	0-10V dimmable			
Power Factor	>0.92			
Heat Sinker	6063 Aviation Aluminum			
Beam Angle	150°			
Operating Temperature	-25°C~+40°C			
Warranty	5 years			

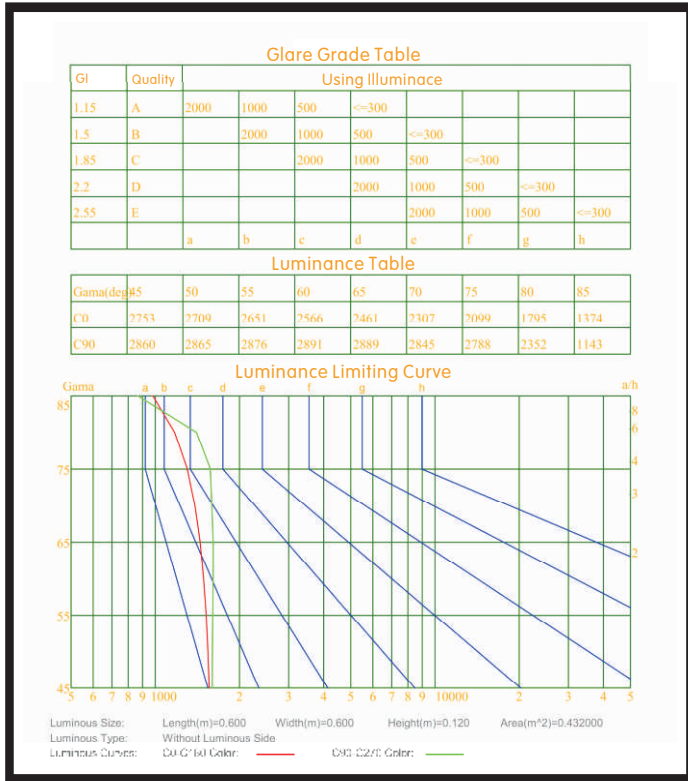
Remark: Luminous Flux 10% tolerance

Color Temperature and SDCM

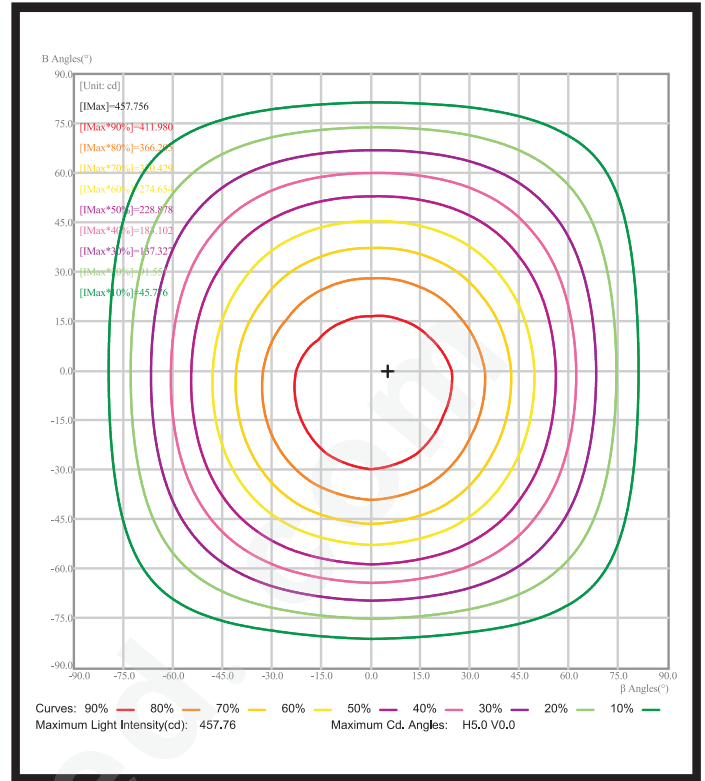


Distribution Curve Flux

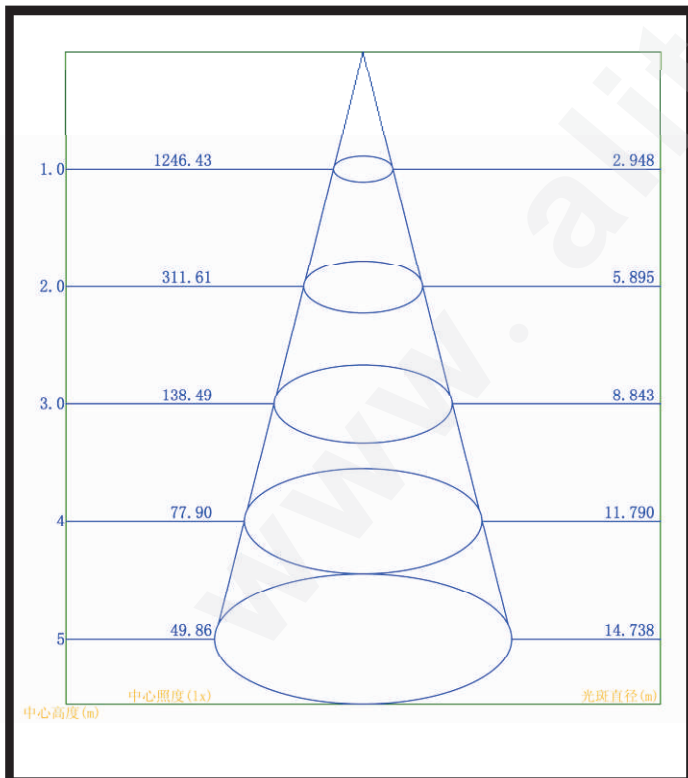
Indoor Luminance Limiting Curve



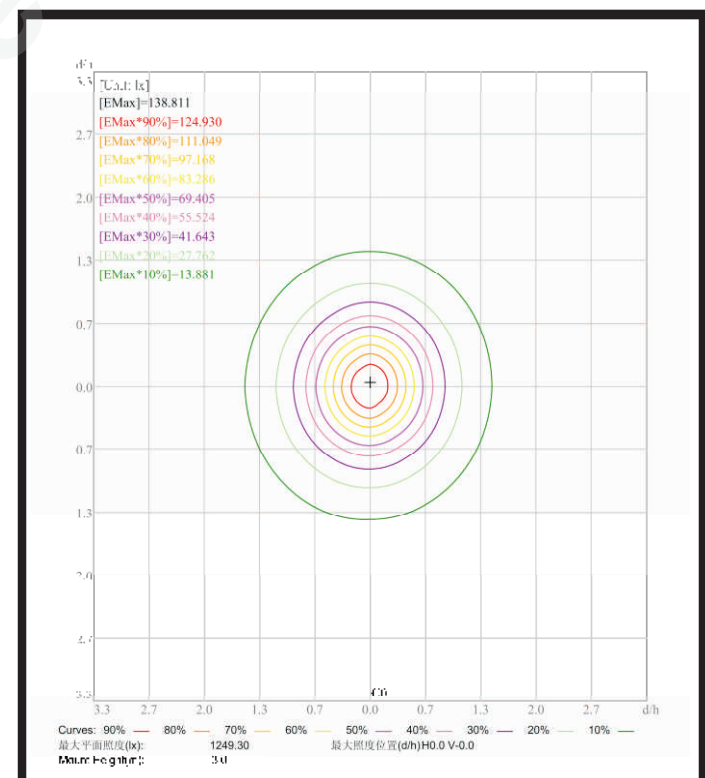
Rectangle ISO Light Intensity Curve



Illuminance-Distance Curve



Illuminance-Distance Curve

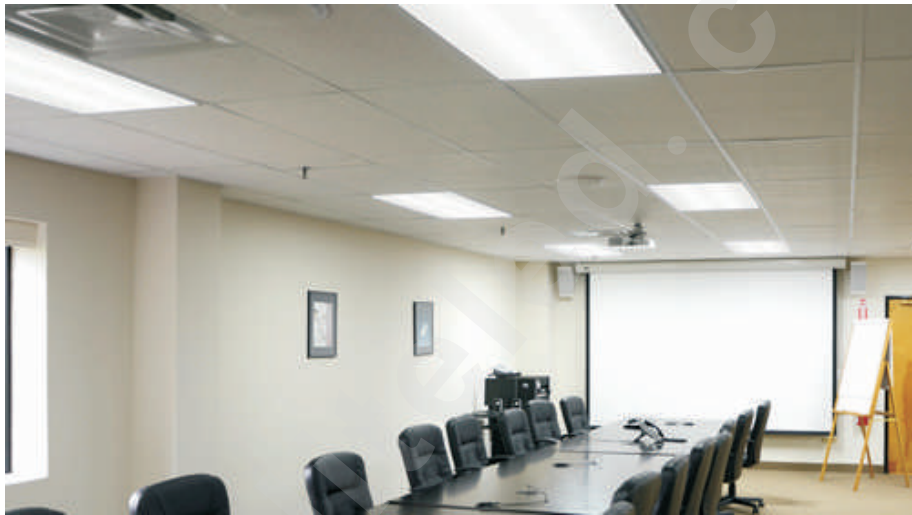


Application Reference

Application for most indoor area for Commercial Lighting, residential lighting and Industrial lighting, etc.

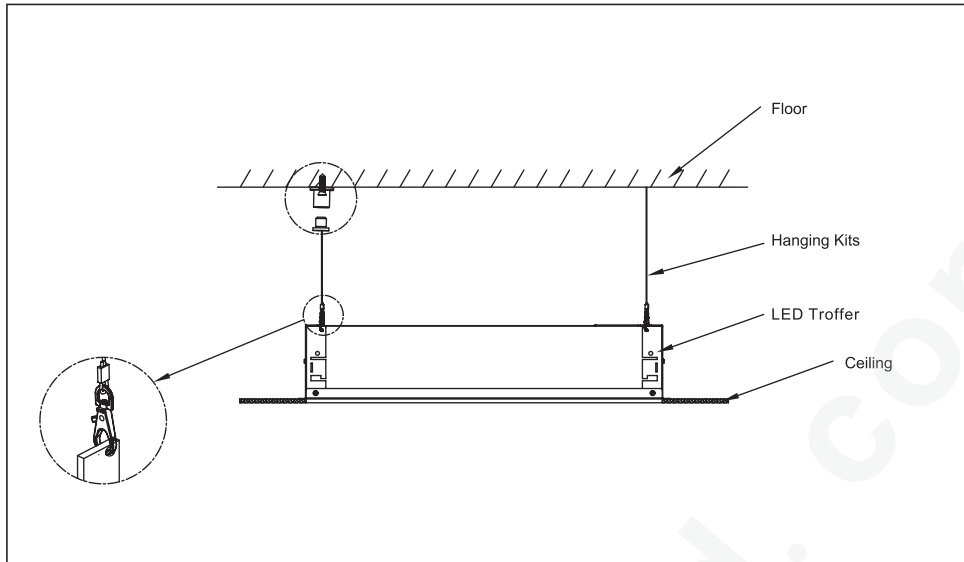
Warning and caution:

- ① Don't use in completely enclosed fixture and damp area.
- ② Used as safety or emergency lamps are not recommended.

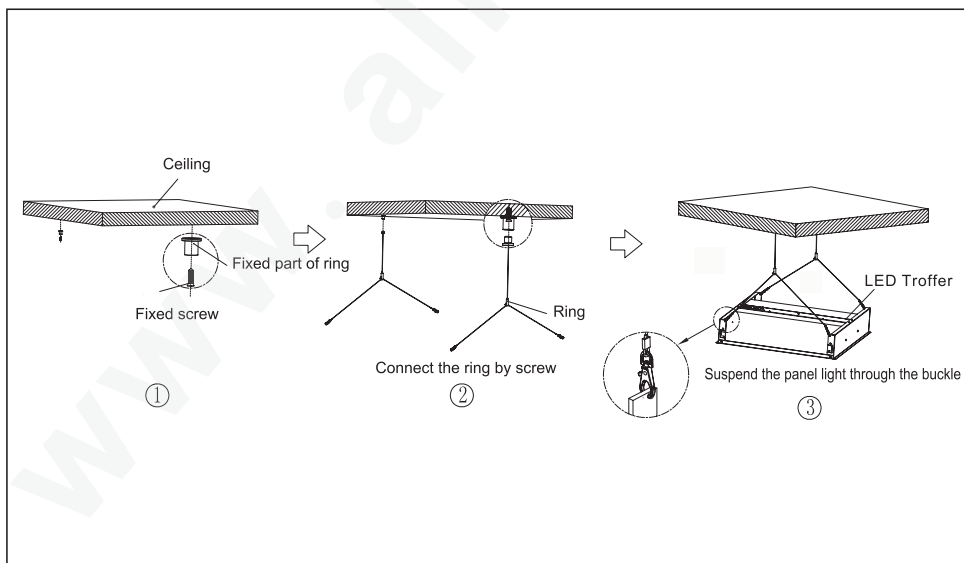


Installation Guide

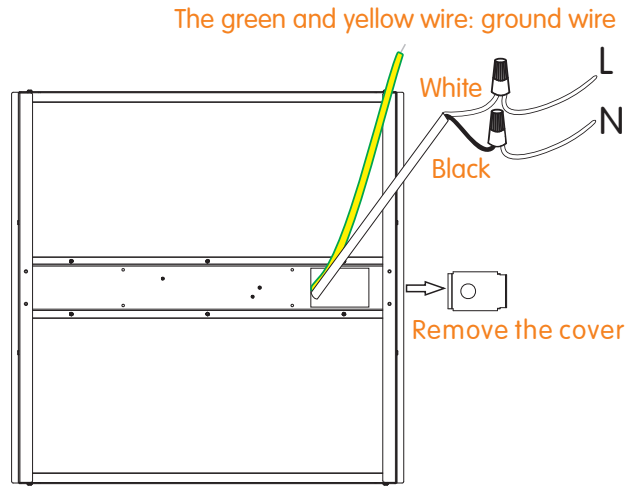
Build-in



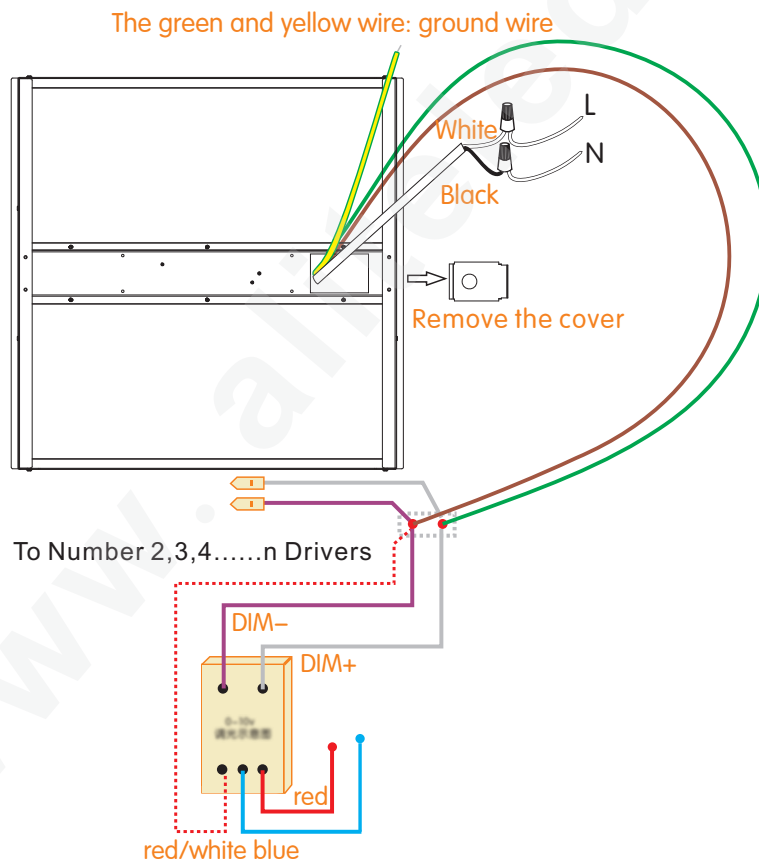
Suspended



Connection Mode

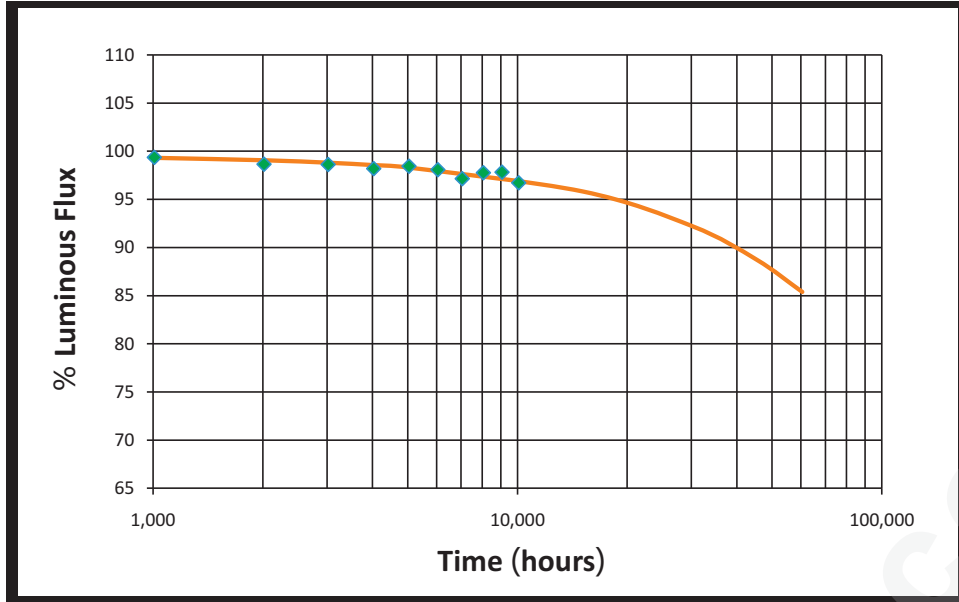


(1) Non-dimmable wiring diagram

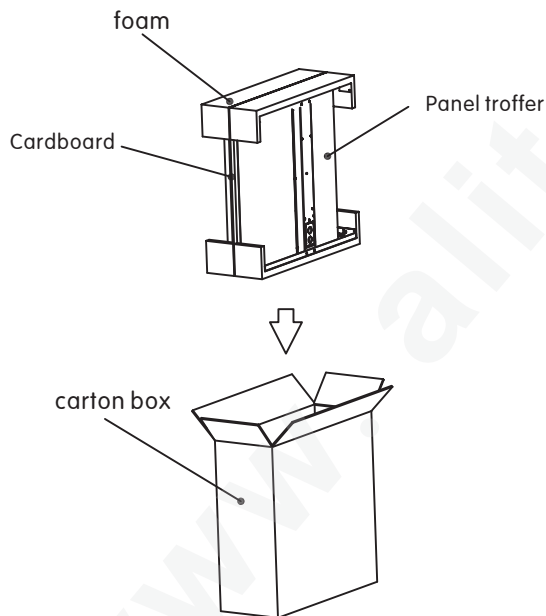


(2) 0-10V dimmable diagram

Luminous Decay Graph



Packing Information



N.W:6kg
 Quantity: 2pcs/carton
 G.W: 13.2kg
 Carton Size: L645mm*W275mm*H655mm