

LUMINAIRE  
Galarneau

Alite

Panel Troffer  
LT-1206-70W-NA



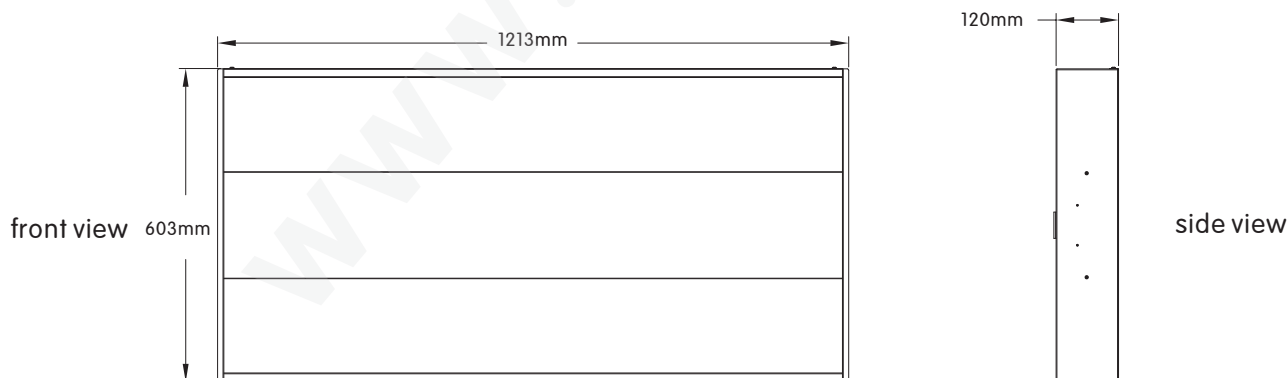
## Product Feature

- Power consumption 45W;
- Maintain brightness Over 50,000 hour rated life, 5 years warranty;
- Medium–power Tanwai2835 LED chips. LM80 report available;
- UL/cUL,FCC, RoHs approval;
- UL/cUL External power supply, long operating life.

## Product description

- Special appearance; use the baking varnish craft; matte finish;
- Uniform luminance: PC cover scatters the light emitted by LED chips uniformly;
- Cambered cover on both sides reflect the light as well;
- Build–in installtion gets UL/cULapproval, replace tradtional T8/T10 fixtures dorectly;
- Pollution–free components, environmental protection and recycled;
- Non–dimmmable, and 0–10V dimmable power supplier avaiable.

## Dimension

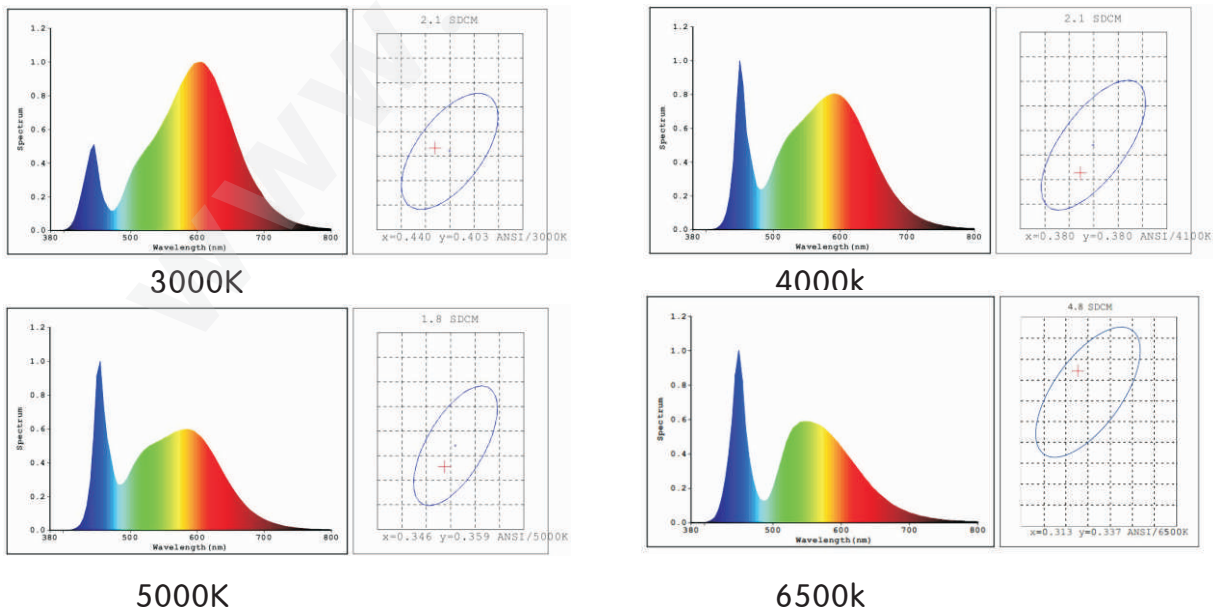


**Product Specification**

Product Name	LT-1206-70W-NA			
Power Consumption	70W			
Input-voltage	100~277VAC			
Frequency	50~60Hz			
Finish Color	Silver			
Color Temperature (typical)	3000K	4000K	5000K	6500K
Luminous Flux (typical)	5460 LM			5970 LM
CRI	>80			
SDCM	≤5.0			
Dimming Function	0-10V dimmable			
Power Factor	>0.92			
Heat Sink	6063 Aviation Aluminum			
Beam Angle	150°			
Operating Temperature	-25°C~+40°C			
Warranty	5 years			

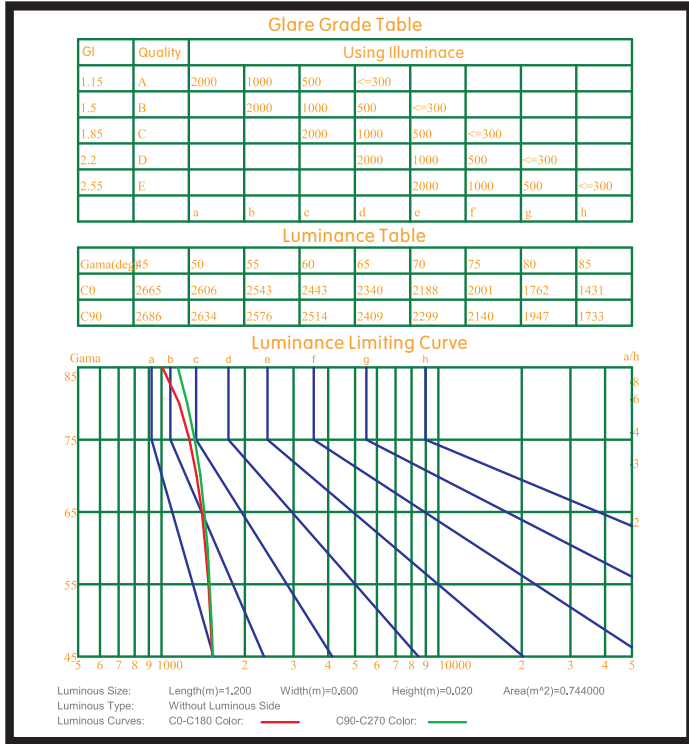
Remark: Luminous Flux 10% tolerance

**Color Temperature and SDCM**

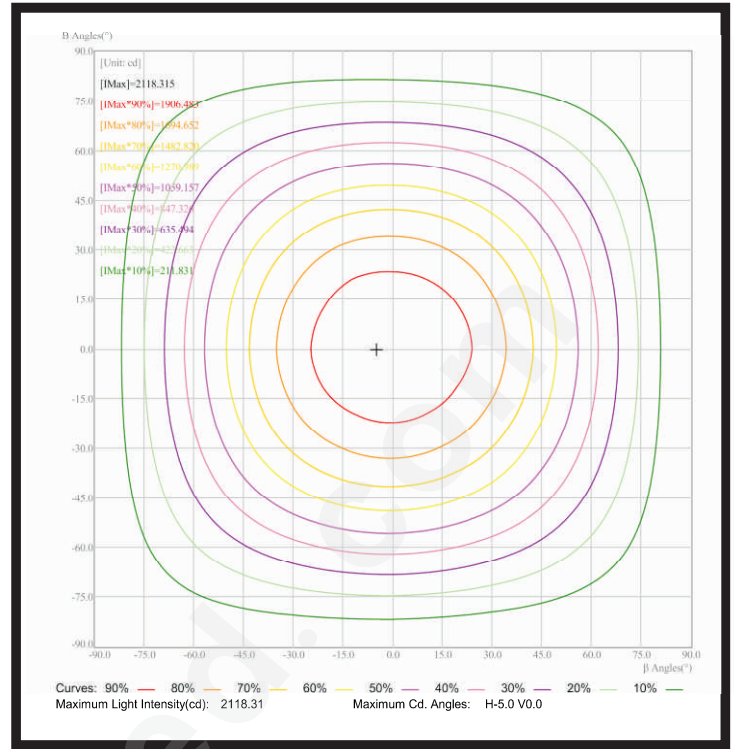


# Distribution Curve Flux

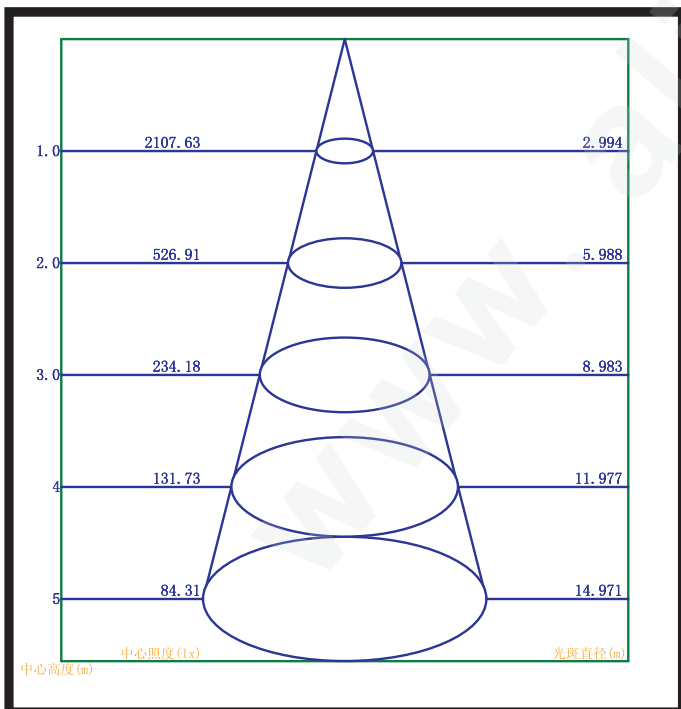
## Indoor Luminance Limiting Curve



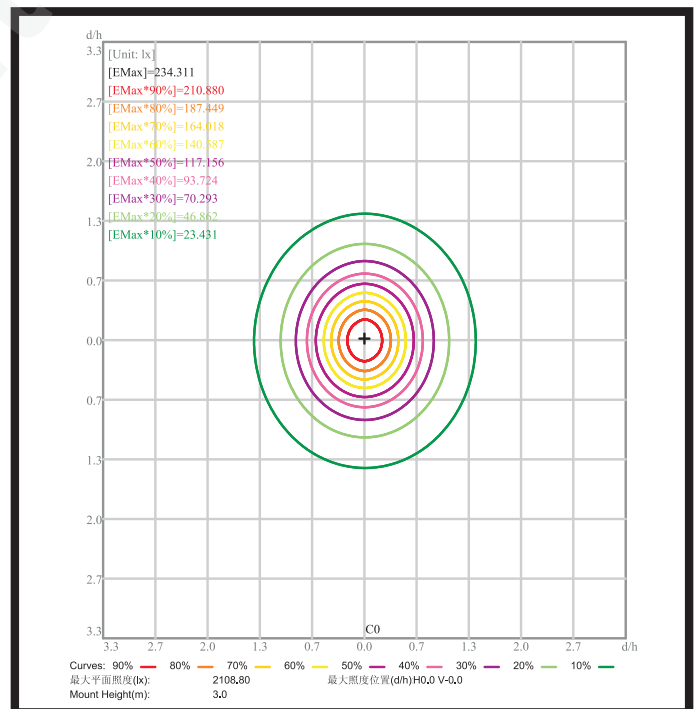
## Rectangle ISO Light Intensity Curve



## Illuminance-Distance Curve



## Illuminance-Distance Curve



## Application Reference

Application for most indoor area for Commercial Lighting, residential lighting and Industrial lighting, etc.

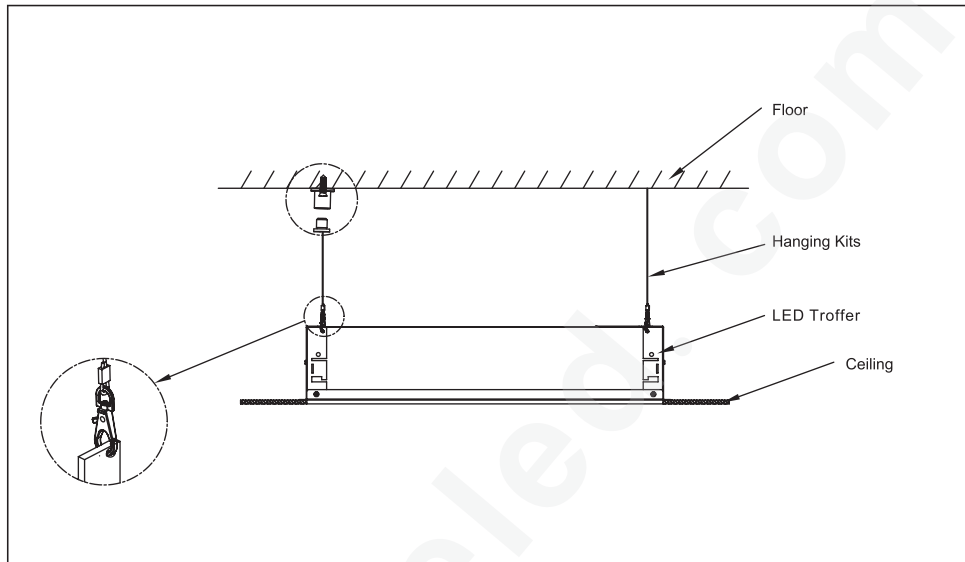
Warning and caution:

- ① Don't use in completely enclosed fixture and damp area.
- ② Used as safety or emergency lamps are not recommended.

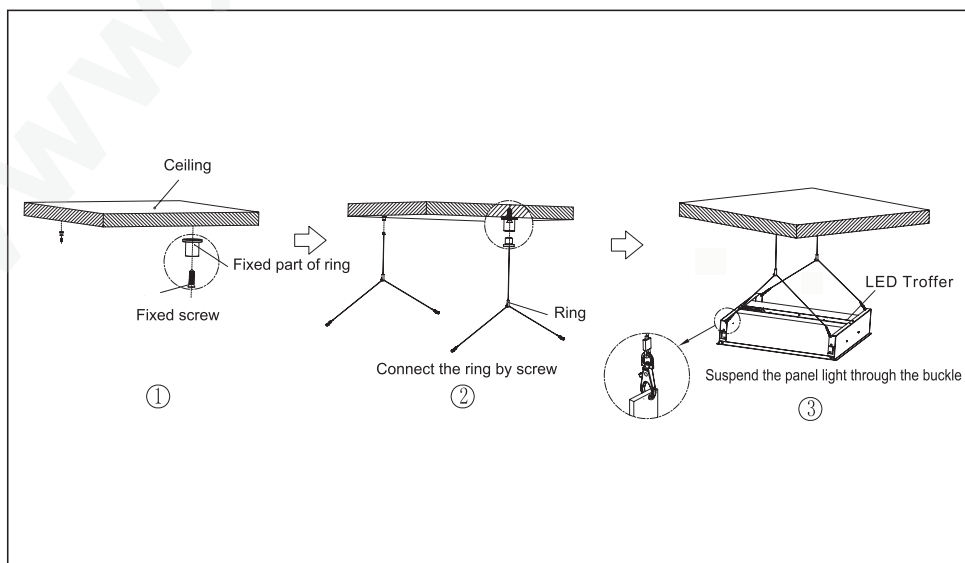


**Installation Guide**

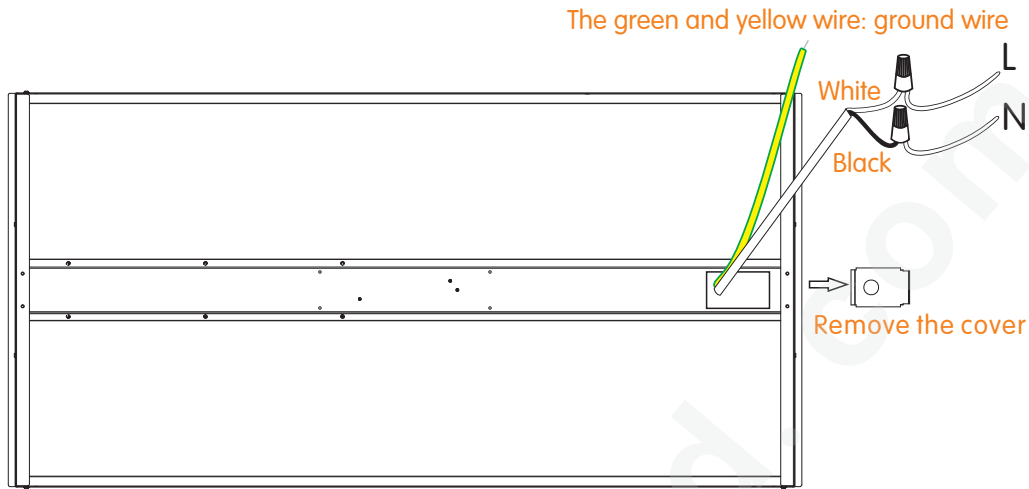
**Build-in**



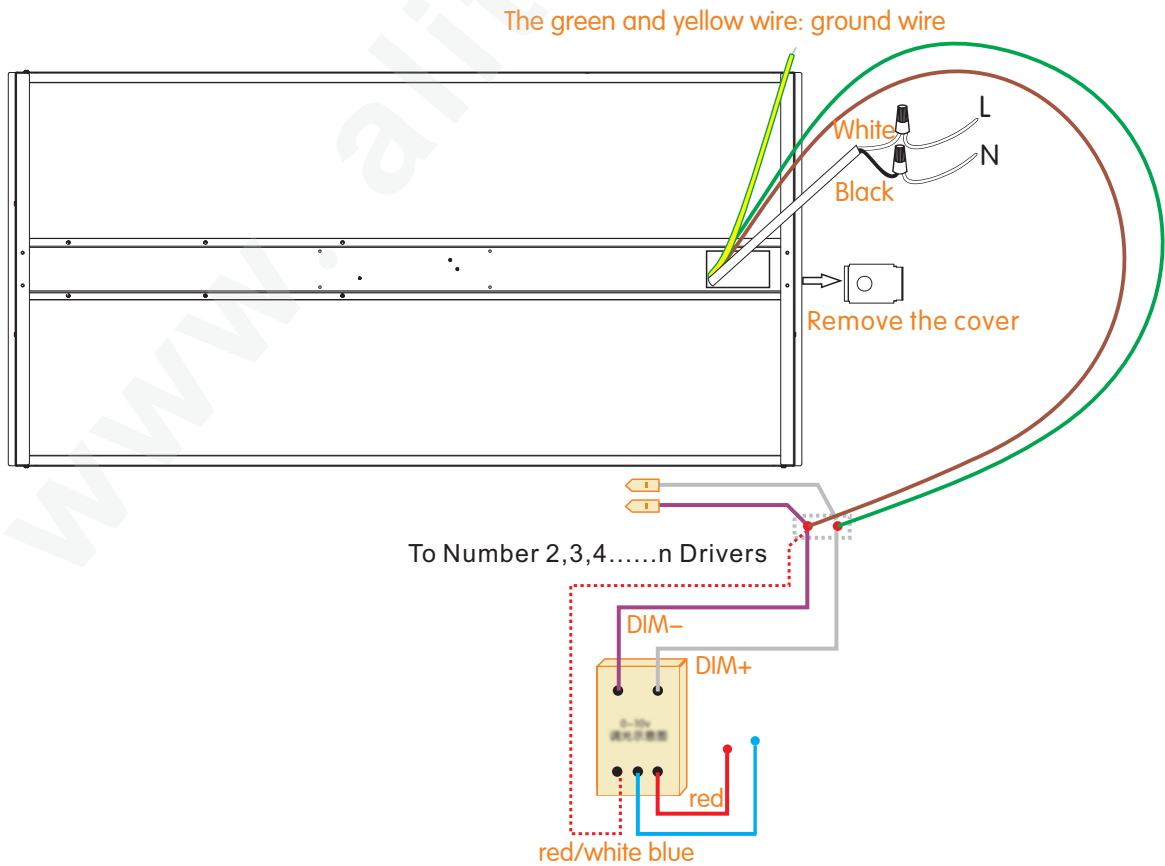
**Suspended**



**Connection Mode**

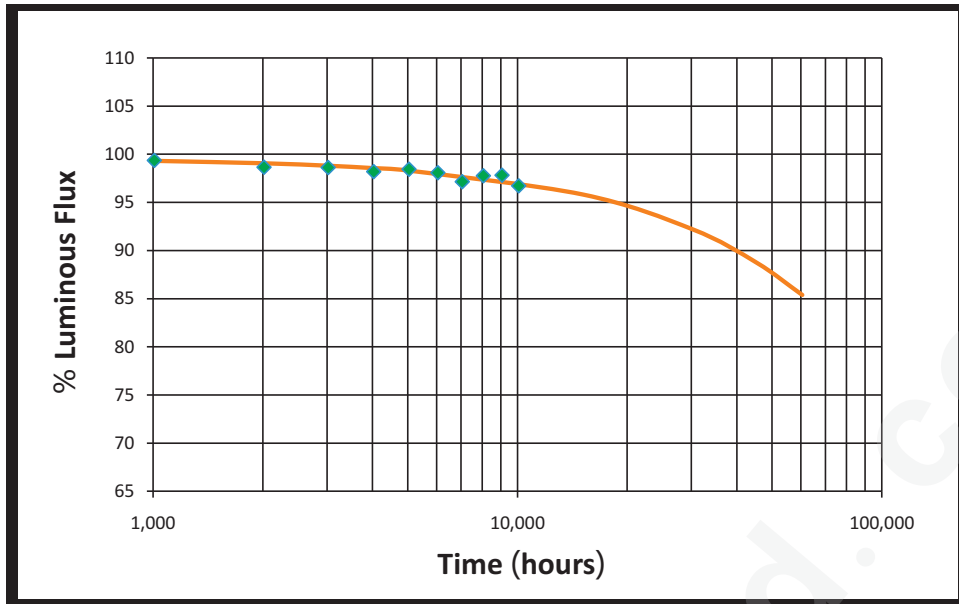


(一) Non-dimmable wiring diagram

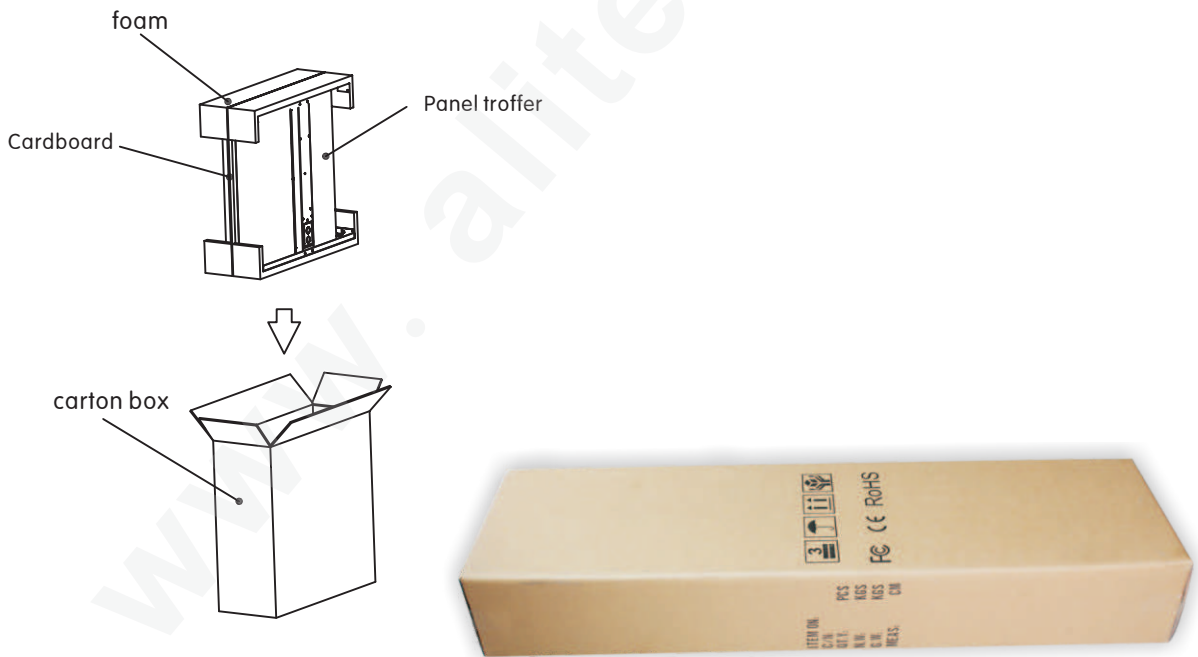


(二) 0-10V dimmable diagram

**Luminous Decay Graph**



**Packing Information**



N.W: 10kg  
 Quantity: 2pcs/carton  
 G.W: 23.5kg  
 Carton Size: L660mm\*W275mm\*H1255mm