

LED Step Light

ER3005
INSTALLATION SHEET

START FROM HERE

- Make sure power is completely off at the fuse box.
- Have your fixture installed by a qualified licensed electrician
- Prepare everything in a clear area.
- Wear gloves at all times during this installation.
- Read instructions carefully before you start assembly.
- Keep this instruction sheet for future reference.

Technical Support: 1-877-452-6858

Please Note:

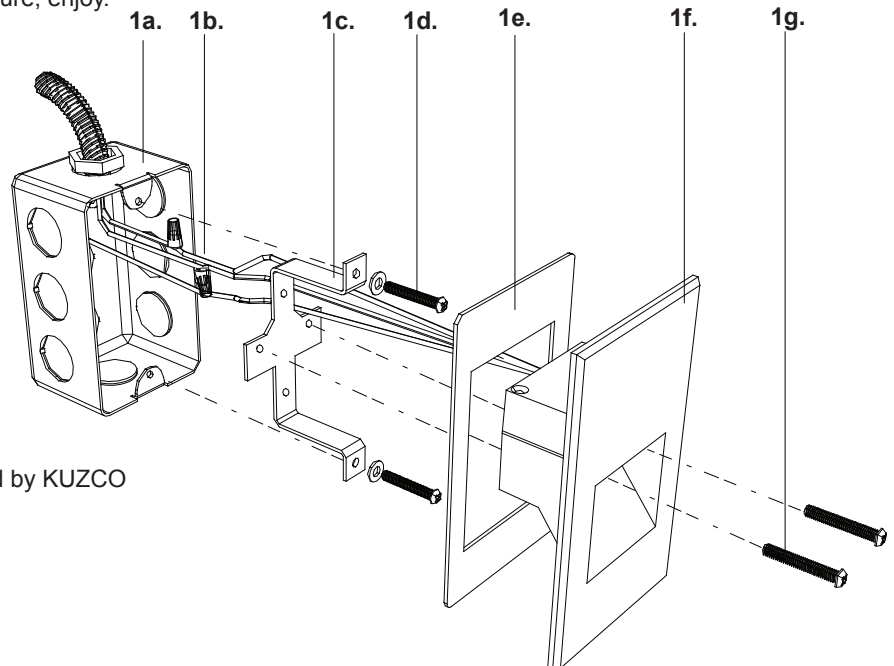
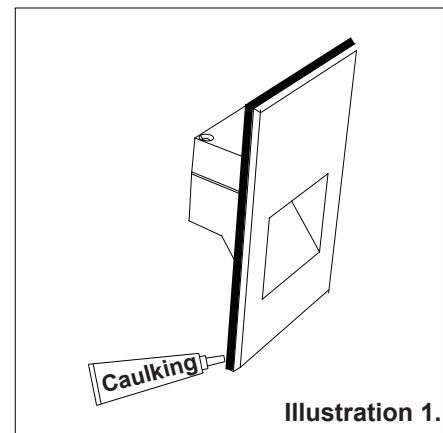
- All Kuzco LED fixtures come with pre-wired LED module(s).
- Unless instructed to do so, please do not touch any part of the LED module(s) as any unnecessary contact with the module could cause permanent damage.
- For dimming, an ELV (Electronic Low Voltage) type of dimmer is required.

NOTE: In accordance with the NEC and local ordinances the depth of box is determined. Framed mounted junction box: Raco 2" x4" (16.5 cu. In) for outdoor or indoor. Outdoor application: Hubbell-Raco 5330-0 1-Gang, Weatherproof Box, Depth: 2". (5) 3/4" Threaded Outlets (2 in each end, 1 in back), Cubic Inches: 16.0". recommended.

Mortar or poured concrete installation: Use appropriate junction box suitable for that particular application

JUNCTION BOX: 2" x 4" boxes to have minimum inside dimensions of 3"H x 2"W x 2"D in order to accommodate fixtures.

- 1.** Remove the fixture from its original packaging. Remove the mounting plate (**1c**) from within the fixture (**1f**) by removing the two screws (**1g**). Pull out the mounting plate (**1c**) from within the canopy (**1f**) and attach it to the electrical junction box (**1a**), using the two screws (**1d**) provided in the hardware package.
- 2.** Attach all wiring with the provided marrets (**1b**) (white to white "N", black to black "L", ground to ground "G"). Align the gasket (**1e**) provided before securing the canopy (**1f**) to the mounting plate (**1c**). Align the fixture to the mounting plate (**1c**) and secure using the two screws (**1f**) provided.
- 3.** To prevent moisture from entering the outlet box and causing a short, seal around the top and side perimeter between the fixture and the wall surface with weather resistant caulking (see illustration 1). The space at bottom should be left un-caulked to prevent moisture build-up.
- 4.** You have now completed the installation of your fixture, enjoy.



(Note: Fixture, mounting bracket, gasket, provided by KUZCO mounting junction box screws not included.)

KUZCO
LIGHTING

19054 28th Avenue Surrey, BC Canada V3Z 6M3
T: 604 538 7162 TF: 1-855 85 KUZCO F: 604 538 7196
W: kuzcolighting.com
20170325