

Technical Information Bulletin

LED Downlight - Lumeina Module



Date: _____ Name of distributor: _____
 In hands date of project: _____ Client #: _____
 Project name/Number: _____ Name of end user: _____

ORDERING INFORMATION

Order code: 64706
 Description: LUMEINA/MOD/IC/6W/30K/22/STD
 UPC: 69549647060
 Case quantity: 1/20



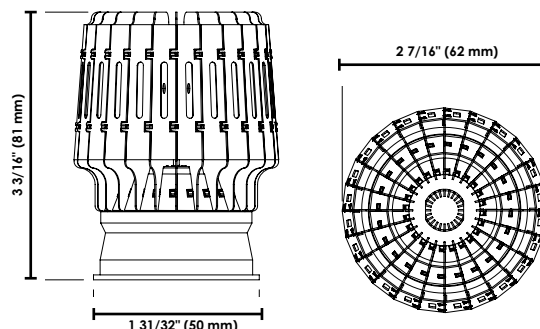
PHYSICAL DATA

Shape: Round
 Finish: Aluminum
 Lens type: Clear glass
 Mounting: Recessed, torsion springs

PERFORMANCE DATA

Watts (W): 6
 Volts (VAC): 120
 Colour temp. (K): 3 000
 Lumen output (lm): 750
 Lumen per Watts (lm/W): 125
 Traditional equivalent: 50
 CRI: 90
 Life L70 (h): 50 000
 Beam angle (°): 22
 CBCP (cd): 3 093
 THD (%): <20
 Power factor: 0.95
 Dimming: Forward & Reverse phase
 Operating temp. range: -20 °C to 40 °C (-4 °F to 104 °F)

TECHNICAL DRAWINGS AND DIMENSIONS



COMPATIBLE DIMMERS

BRAND Model
COOPER AAL06,SLC03P
LEVITON IPL06, 6674, DSL06-1LZ, DSM10-1LZ, IPE04-1LZ
LUTRON DVCL-153P, CTCL-153P, DVCL-253P, AYCL-253P, DVCLV-300P, SELV-300P

NOTE: The above table shows dimmers that have been tested and have demonstrated proper operation under normal conditions. Each installation being unique, various factors such as load, common neutrals or other electrical products on the circuit can, in certain instances, cause variance in system performance. Read and comply to the dimmer installation instructions. Standard recommends to use dimmers designed to work with LED products. Older dimmers designed for incandescent products may cause erratic operation. Do not mix products of different wattages or types on the same dimming circuit. Some dimmers may require more than one product for stable operation. The maximum number of products is determined by the dimmer wattage rating with LEDs. Be careful, these dimmers have different ratings depending on the product type. Again, refer to the dimmer installation instructions.

DESCRIPTION AND OTHER OPTIONS

LUMEINA	MOD	IC	6W	30K	22	STD
Family	Product	Additional rating	Watts	Colour Temperature	Beam angle	Brand
LUMEINA Lumeina Downlight	MOD LED module & driver	BLANK Non-IC rated IC IC rated	6W 6 watts 9W ¹ 9 watts	27K 2 700 K 30K 3 000 K 35K 3 500 K 40K 4 000 K	22 22° beam 36 36° beam 60 60° beam	STD STANDARD

¹ Only available in 3 000 K

This lighting equipment complies with Canadian standard ICES-005 for use in residential applications. Data is based upon tests performed in a controlled environment and representative of relative performance. Actual performance can vary depending on operating conditions. Specifications are subject to change without notice. July 31, 2018

Technical Information Bulletin

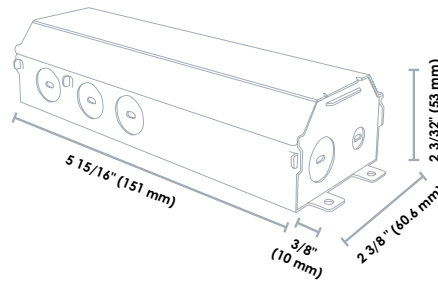
LED Downlight - Lumeina Module



Order code: 64706

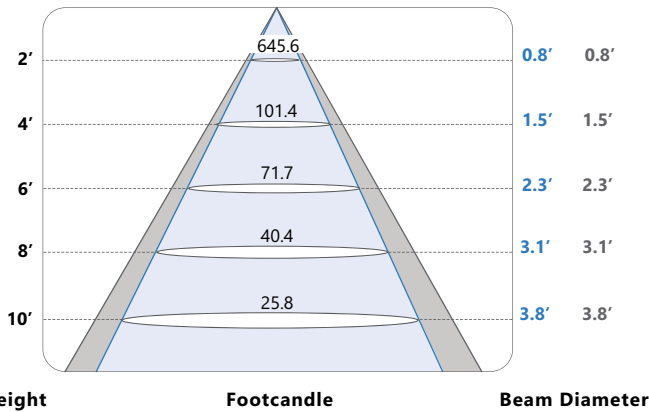
DRIVER DATA AND DIMENSIONS

System watts (W): 9
 Maximum load (W): 9
 Input voltage (VAC): 120
 Output voltage (V): 30-38
 Input current (Ma): 200

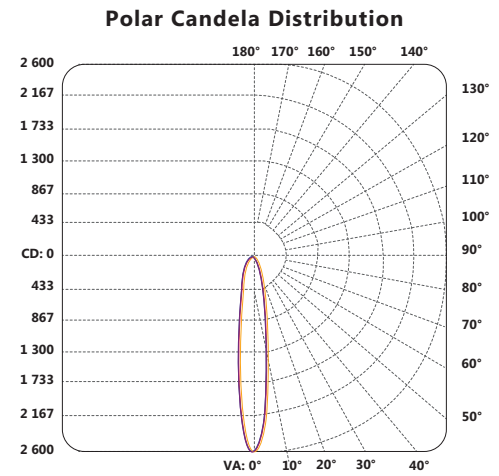


BEAM SPREAD*

Vertical spread - 21.8°
 Horizontal spread - 21.8°



CANDELA DISTRIBUTION*



COEFFICIENTS OF UTILIZATION (ZONAL CAVITY METHOD)*

Effective Floor Cavity Reflectance: 20%

RCC %:	80				70				50				30				10				0			
RW %:	70	50	30	0	70	50	30	0	50	30	20	50	30	20	50	30	20	50	30	20	50	30	20	0
RCR: 0	1.19	1.19	1.19	1.19	1.16	1.16	1.16	1.00	1.11	1.11	1.11	1.06	1.06	1.06	1.02	1.02	1.02	1.00	1.00	1.00	1.00	1.00	1.00	1.00
1	1.14	1.12	1.10	1.08	1.12	1.10	1.08	.95	1.06	1.04	1.03	1.02	1.01	1.00	.99	.98	.97	.95	.95	.95	.95	.95	.95	.95
2	1.10	1.05	1.02	.99	1.07	1.04	1.01	.91	1.01	.98	.96	.98	.96	.94	.95	.93	.92	.90	.90	.90	.90	.90	.90	.90
3	1.05	1.00	.95	.92	1.03	.98	.94	.87	.96	.93	.90	.93	.91	.89	.91	.89	.87	.86	.86	.86	.86	.86	.86	.86
4	1.01	.95	.90	.86	.99	.94	.89	.83	.92	.88	.85	.90	.86	.84	.88	.85	.83	.82	.82	.82	.82	.82	.82	.82
5	.97	.90	.85	.82	.96	.89	.85	.79	.88	.84	.81	.86	.83	.80	.85	.82	.79	.78	.78	.78	.78	.78	.78	.78
6	.94	.86	.81	.78	.92	.85	.81	.76	.84	.80	.77	.83	.79	.76	.81	.78	.76	.75	.75	.75	.75	.75	.75	.75
7	.90	.82	.77	.74	.89	.82	.77	.72	.81	.76	.73	.80	.76	.73	.78	.75	.73	.71	.71	.71	.71	.71	.71	.71
8	.87	.79	.74	.71	.86	.79	.74	.70	.78	.73	.70	.77	.73	.70	.76	.72	.70	.69	.69	.69	.69	.69	.69	.69
9	.84	.76	.71	.68	.83	.76	.71	.67	.75	.70	.68	.74	.70	.67	.73	.70	.67	.66	.66	.66	.66	.66	.66	.66

Legend: -0°H (Blue), -45°H (Yellow), -90°H (Red), -Max Cd: 135°H (Purple)

*Complete IES files available on our website

Qty	Description	Price

I accept the specifications of the luminaire configuration mentioned above.

Name: _____
 Company: _____
 Signature: _____

Date: _____