

LED STRIPLIGHT INSTALLATION INSTRUCTIONS



IMPORTANT - READ ALL INSTRUCTIONS BEFORE INSTALLATION

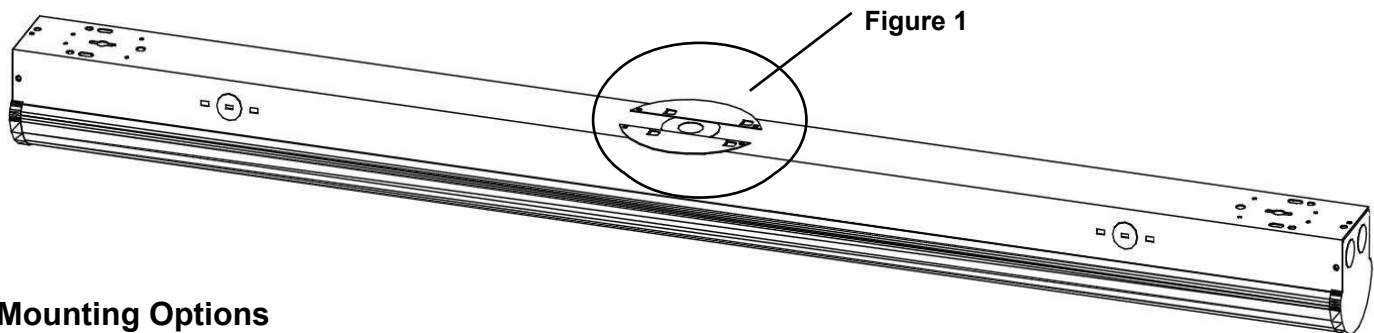
- Installation and maintenance must be performed by licensed electricians only.
- To avoid risk of electric shock, make sure to turn off main power switch prior to installation or maintenance.
- Must be installed in compliance with National Electrical Code (NEC) in the US or Canadian Electrical Code in Canada.
- Ensure input voltage and frequency are compatible with the fixture. Check product manual for power requirements prior to installation.

CAUTION

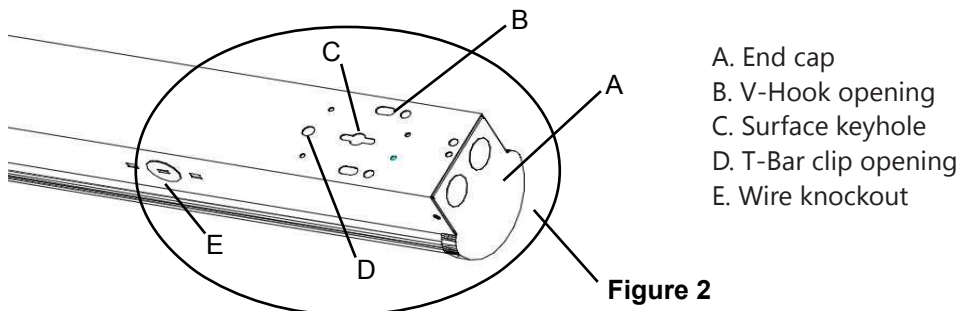
1. Before installation inspect luminaire for any exterior damages or other defects.
2. Before installation confirm luminaire is the correct rated voltage for application.
3. During installation do not damage luminaire with drill or external impact.
4. Do not expose luminaire directly to high heat.
5. Beware of shock when installing luminaire.
6. Do not install in areas where flooding may occur.
7. Do not clean or expose the luminaire to detergent, chemical cleaners or pesticides.
8. Upon completion of installation, ensure the luminaire is tight and secure.
9. Turn power off when disassembling.
10. Do not look directly into LED luminaire when lit.
11. Do not exchange components in luminaire.
12. Do not operate the fixture where ambient temperature is over 40°C or in confined spaces. This is a fire hazard.
13. Do not install luminaire in applications where high vibrations or external shock are present.
14. Do not install/operate luminaire in areas where salt content in the air and soil could cause the luminaire to corrode.
15. Do not install luminaire in areas where corrosive substances are present.
16. Do not install luminaire in areas where organic debris can accumulate on luminaire (example: fallen leaves, insects).
17. In the event of product failure resulting from negligence of above mentioned instructions, limited warranty will not be applicable.

SUITABLE FOR DRY OR DAMP LOCATION

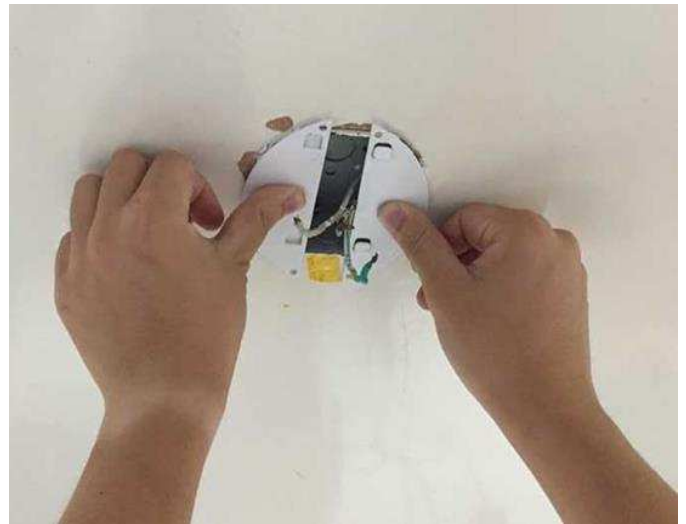
Model shown for reference only



Mounting Options



LED STRIPLIGHT INSTALLATION INSTRUCTIONS



INSTALLATION:

Turn off the power before installation

Chain Mounting with V hook

Attach V-Hooks in the dedicated opening (B) at each end of the luminaire as shown in figure 2, and hang the luminaire at the desired area.

Surface Mounting

Indicate the ceiling 2 marks to match the surface mounting holes (C). Drill two holes using the appropriate drill and insert the plastic anchors into the holes. Screw the mounting screws in the plastic anchors making sure to leave 2-3 mm between the screw head and the mounting surface. Align the keyholes of the shop light to the screw heads. Slide the light from one side to secure it safely. The light should be firmly attached to the screw.

T-Bar Clip Mounting Hole

Attach T-Bar clips to the designated opening (D) on the luminaire as shown in Figure 2. Bring luminaire into T-Bar ceiling grid and secure luminaire to grid.

