

LED LUMINAIRE PANELS INSTALLATION INSTRUCTIONS



IMPORTANT - READ ALL INSTRUCTIONS BEFORE INSTALLATION

- AC 100-347 V
- 50/60 Hz
- Power factor > 0.9
- Harmonic Distortion <20%
- 0-10 V dimming
- Warranty; 10 years or 50 000 hours

WARNING: Risk of Electric Shock. Suitable for damp and insulated locations. Not suitable for wet location.

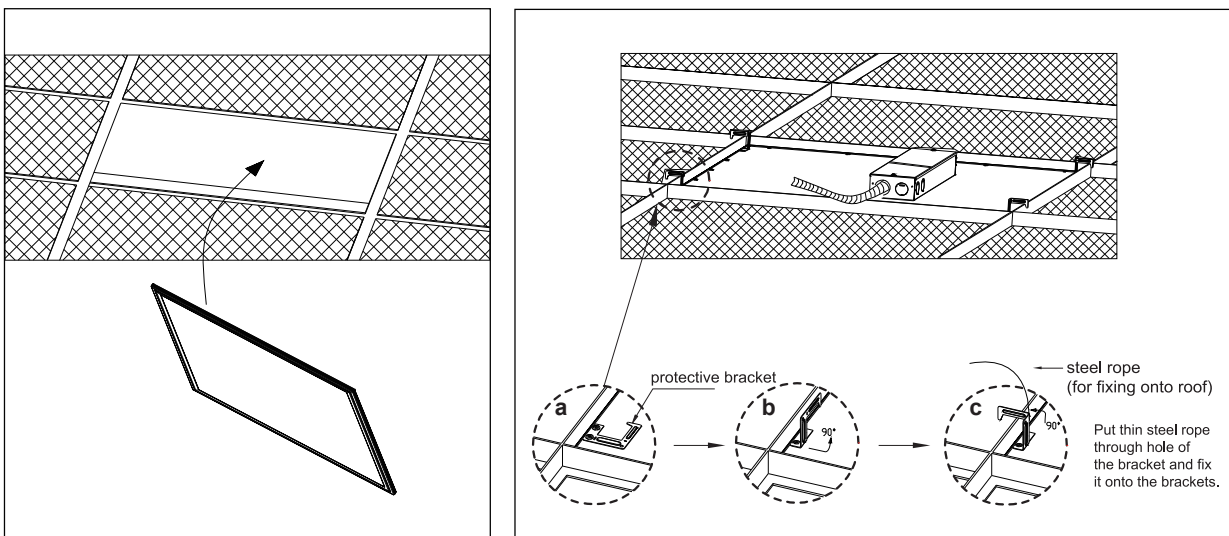
- Installation and maintenance must be performed by licensed electricians only.
- To avoid risk of electric shock, make sure to turn off main power switch prior to installation or maintenance.
- Must be installed in compliance with National Electrical Code (NEC) in the US or Canadian Electrical Code in Canada.
- Ensure input voltage and frequency is compatible with the fixture. Check product manual for power requirements prior to installation.

Caution

- Before installation inspect luminaire for any exterior damage or other defects.
- Before installation confirm luminaire is the correct rated voltage for application
- During installation do not damage luminaire with drill or external impact
- Do not exchange LED module or other components in luminaire
- Must be grounded
- Minimum 90 °C supply conductors
- Access above ceiling required
- Please keep the LED panel away from any corrosive substance, and please use dry cloth when you clean it
- This product must be installed in accordance with the applicable installation code by a person familiar with the construction and operation of the product and the hazards involved.

RECESSED INSTALLATION

1. Bend hang buckle by 90° positioning it vertical to the rear cover of panel. Bend top of hang buckles horizontally 90°.
2. Turn off power and remove the old fixture from the ceiling.
3. Place the panel into the ceiling and use hang buckle to stabilize the panel on T-Bar. Secure to ceiling with aircraft cable for safety.



LED LUMINAIRE PANELS INSTALLATION INSTRUCTIONS



SUSPENSION INSTALLATION

1

2

Size	Hole Positioning	
	A (cm)	B (cm)
2x2	57.5	Not required
1x4	43	43
2x4	43	43

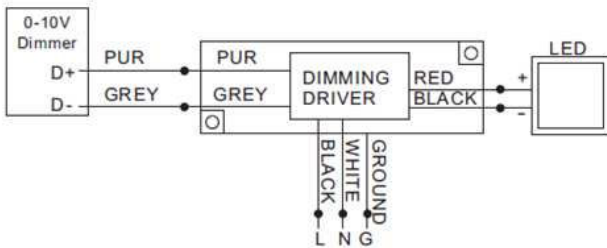
3

4 a)
2x2

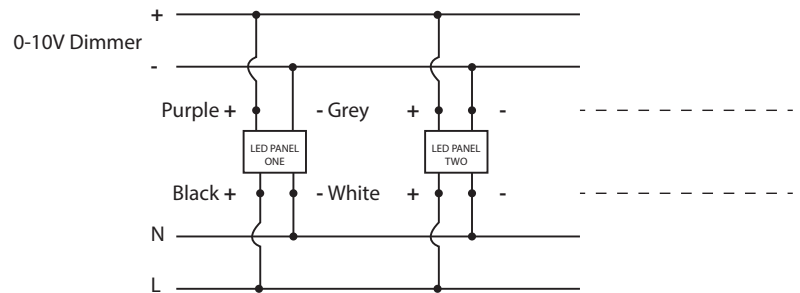
4 b)
1x4 and 2x4

WIRING DIAGRAM

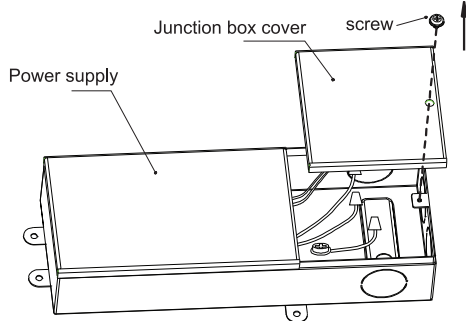
Single luminaire



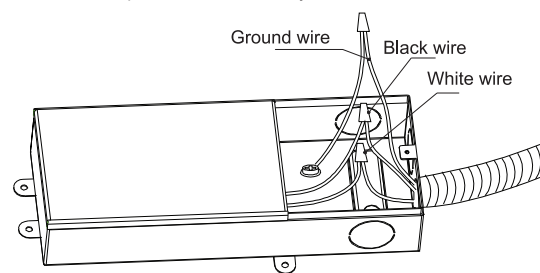
Multiple luminaires



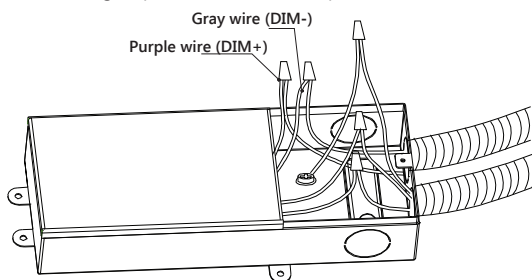
1. Open the junction box of LED Panel by removing the screw.



2. Make sure circuit is disconnected: Lead wire into junction box. Connect the white (N), black (L) and ground wire respectively in pairs. Cover with wire caps and make sure they are well connected.



3. Lead wires into junction box : For Dimming: Connect purple (DIM+) and gray (DIM-) wires respectively in pair. Cover with wire caps and make sure they are well connected. For Non Dimming: Cap off wires with wire caps.



4. Close junction box with screw.

