

# LED DOWNLIGHT GIMBAL INSTALLATION INSTRUCTIONS



Read the instruction sheet and all product labels before installing fixture. This product must be installed in full accordance with applicable electrical and building codes by a person familiar with the construction and operation of this fixture and all involved hazards. Installation should be performed by a qualified electrician in accordance with the Canadian National Electrical standards and relevant local codes.

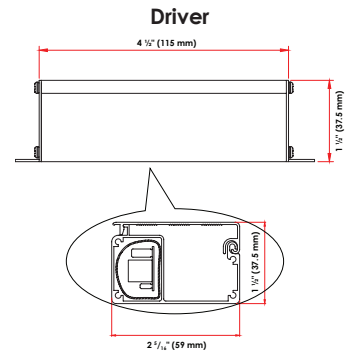
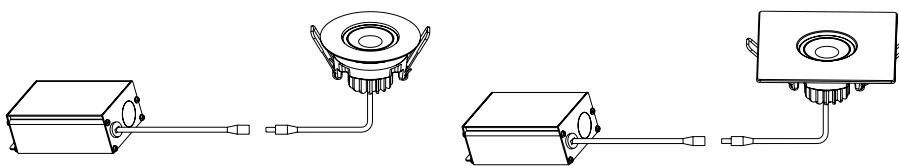
**TO PREVENT ELECTRICAL SHOCK, POWER SHOULD BE TURNED OFF FROM THE ELECTRICAL PANEL BEFORE INSTALLATION OR MAINTENANCE.**

## SAFETY WARNINGS:

- Read all product labels, installation instructions and directions.
- Install this kit only in the luminaires that have the construction features and dimensions.
- Installation should be performed only by a qualified electrician in accordance with the Canadian Electrical standards and relevant local codes.
- Do not make or alter any open holes in an enclosure of wiring or electrical components during kit installation.
- The downlight is intended for mounting in an indoor application. Suitable for damp locations.
- Operating temperature: - 20 °C / - 4 °F to 45 °C / 113 °F

## INCLUDED IN THIS FIXTURE

This fixture includes one gimbal downlight module and one junction box. Trim sold separately.



Cut-hole dimensions	
Round 3 Inch:	Ø2 3/4" (70mm)
Round 4 Inch:	Ø2 3/4" - Ø4 1/4" (70-108mm)
Square 3 Inch:	Ø2 3/4" (70mm)
Square 4 Inch:	Ø2 3/4" - Ø4 1/4" (70-108mm)

\*If necessary, use 6 ft. linkable extension offered by STANDARD PRODUCTS INC.

## INSTALLATION INSTRUCTIONS:

1. Turn power off from the electrical panel before starting installation.
2. Locate a suitable position to place the downlight and cut a hole in accordance to the cut-hole dimensions (see table above).
3. Run the electrical wire from the switch (power supply) through the mounting hole.
4. Open the driver box and remove the appropriate knockouts.
5. Insert the electrical supply cable through the knockout and fasten with quick connects.
6. Using quick connects - connect the green ground wire of cable to the green-yellow wire on box. Connect the white wire of cable to the white wire of box. Connect the black wire of cable to the black wire of box (Fig. 1)
7. Place all wiring and connections back in to the driver box and close the cover.
8. Twist and lock the trim onto the module (Fig.2)
9. Insert the driver box through the mounting hole and secure it to a ceiling joist. (Fig.3)
10. Bend back the two torsion springs and fit the fixture in the ceiling hole. Slowly release unit up to the ceiling and the springs will hold fixture in place. (Fig.4)
11. Once assembly is complete, switch on power to confirm the downlight is working properly.

