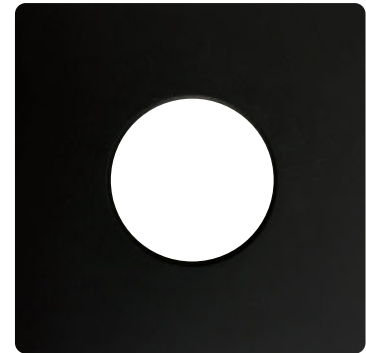


Date: \_\_\_\_\_  
 In hands date of project: \_\_\_\_\_  
 Project name/Number: \_\_\_\_\_  
 Name of distributor: \_\_\_\_\_  
 Client #: \_\_\_\_\_  
 Name of end user: \_\_\_\_\_



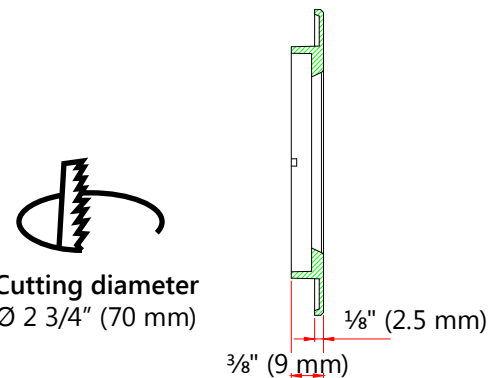
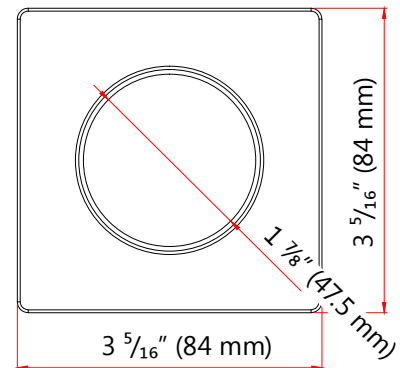
### ORDERING INFORMATION

Order code: 66231  
 Description: LED/DL/GIMBAL/3IN/TRIM/SQR/FLAT/BK/STD  
 UPC: 69549662315  
 Case quantity: 96

### SPECIFICATIONS

Shape: Square  
 Type: Flat  
 Trim material: Diecast aluminum  
 Colour: Black  
 Aperture: Round  
 Aperture diameter: 1 7/8" (47.5 mm)  
 Diameter: 3 5/16" (84 mm)  
 Installation method: Twist-lock

### TECHNICAL DRAWINGS



### COMPATIBLE MODULES\*

Order code	Description
65422	LED/DL/GIMBAL/MOD/7W/30K/BN/STD
65423	LED/DL/GIMBAL/MOD/7W/40K/BN/STD
65982	LED/DL/GIMBAL/MOD/7W/30-22K/BN/STD



\*Gimbal LED Modules are sold separately.

Qty	Description	Price

I accept the specifications of the luminaire configuration mentioned above.

Name: \_\_\_\_\_  
 Company: \_\_\_\_\_  
 Signature: \_\_\_\_\_

Date: \_\_\_\_\_