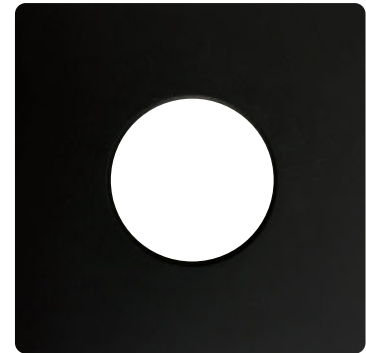


Date: \_\_\_\_\_  
 In hands date of project: \_\_\_\_\_  
 Project name/Number: \_\_\_\_\_  
 Name of distributor: \_\_\_\_\_  
 Client #: \_\_\_\_\_  
 Name of end user: \_\_\_\_\_



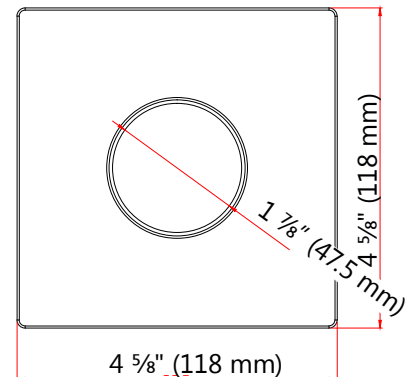
### ORDERING INFORMATION

Order code: 66233  
 Description: LED/DL/GIMBAL/4IN/TRIM/SQR/FLAT/BK/STD  
 UPC: 69549662339  
 Case quantity: 96

### SPECIFICATIONS

Shape: Square - Flat  
 Type: Flat  
 Trim material: Diecast aluminum  
 Colour: Black  
 Aperture: Round  
 Aperture diameter: 1 7/8" (47.5 mm)  
 Diameter: 4 5/8" (118 mm)  
 Installation method: Twist-lock

### TECHNICAL DRAWINGS

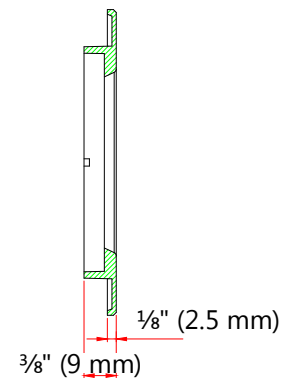


### COMPATIBLE MODULES\*

Order code	Description
65422	LED/DL/GIMBAL/MOD/7W/30K/BN/STD
65423	LED/DL/GIMBAL/MOD/7W/40K/BN/STD
65982	LED/DL/GIMBAL/MOD/7W/30-22K/BN/STD



Cutting diameter  
 Ø 2 3/4" - 4 1/4" (70-108 mm)



\*Gimbal LED Modules are sold separately.

Qty	Description	Price

I accept the specifications of the luminaire configuration mentioned above.

Name: \_\_\_\_\_  
 Company: \_\_\_\_\_  
 Signature: \_\_\_\_\_

Date: \_\_\_\_\_

Data is based upon tests performed in a controlled environment and representative of relative performance. Actual performance can vary depending on operating conditions. Specifications are subject to change without notice.