

PROJECT NAME	
CATALOG NUMBER	
NOTES	
FIXTURE TYPE	

## PRODUCT DESCRIPTION

The VP Series 2X2FT LED flat panel delivers high lumens of exceptional 80+ CRI light while achieving 110 lumens per watt. It is available in 3500K, 4000K, 5000K DLC CCT options and has 0-10V dimming, which is perfect for new construction applications or retrofitting existing fluorescent troffer fixtures with recessed installation, widely used in office spaces, major retail stores, education, government, healthcare, and hospital.

## PERFORMANCE SUMMARY

Efficacy: 110LPW
Delivered Light Output: 4400Lumens
Input Power: 40Watts
CRI: Ra>80
DLC CCT: 3500K,4000K, 5000K
Input Voltage: 120-347VAC
Input current: 0.5A
THD: <20%(at 277V)
Power Factor: >0.9(277V)
Driver Output: DC36V 1A
Standard Warranty: 5 Years Standard Lifetime Design to L70 minimum 50,000 hours
Mounting: Recessed
0-10v dimming
Signal Current: 1.5mA
Recommended Dimmers: DIVA-DVTV(LUTRON), IP710-DL(LEVITON)
Dimensions: L 23.7" x W 23.7" x H 1.8"
Fixture measurement and weight are round up, pls contact your OKT representative for exact data.

## REGULATORY & VOLUNTARY QUALIFICATIONS

UL Listed	Yes
DLC Qualifications	Yes
LM79 Report	Yes
Damp Rated	Yes

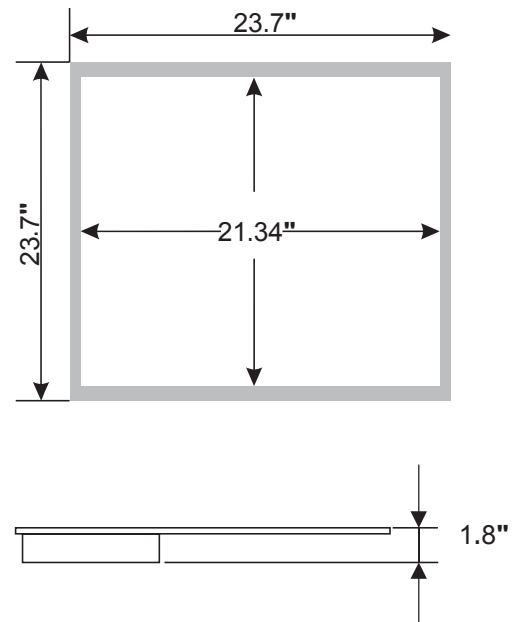
## ORDER INFORMATION

EXAMPLE: VP22-DM-40E

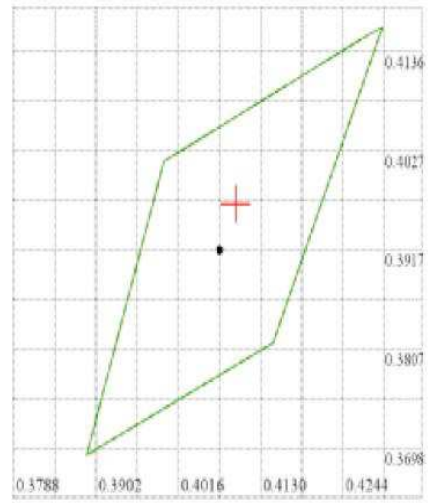
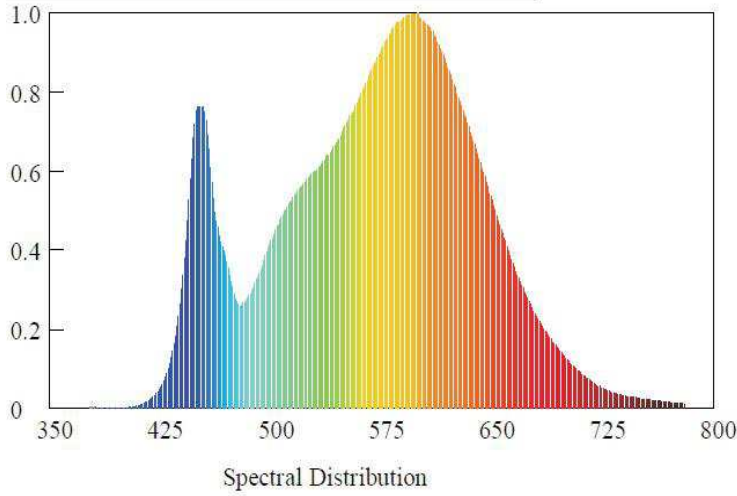
Product category	Size	Dimming	Fixture wattage	DLC CCT	Version
VP	22=2'X2'	D=0-10v Dimming	M=40W	40=4000k 50=5000k	E=DLC Standard Version

# VP Series 2x2FT

## DLC Standard Version



**SPECTRORADIOMETRIC PARAMETERS**

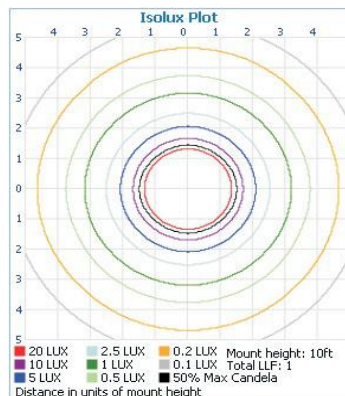
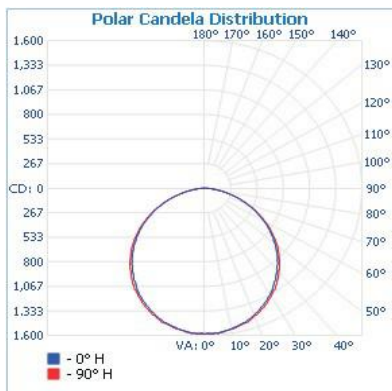


**ZONAL LUMEN TABULATION**

Zonal Lumen Summary		
Zone	Lumens	%Luminaire
0-30	1228.3	27.7%
0-40	2,010.3	45.3%
0-60	3,541.1	79.8%
60-90	894.8	20.2%
70-100	356.8	8%
90-120	0	0%
0-90	4,435.9	100%
90-180	0	0%
0-180	4,435.9	100%

Lumens Per Zone					
Zone	Lumens	% Total	Zone	Lumens	% Total
0-5	37.8	0.9%	90-95	0	0%
5-10	112.0	2.5%	95-100	0	0%
10-15	182.3	4.1%	100-105	0	0%
15-20	246.6	5.6%	105-110	0	0%
20-25	302.1	6.8%	110-115	0	0%
25-30	347.6	7.8%	115-120	0	0%
30-35	381.0	8.6%	120-125	0	0%
35-40	401.0	9.0%	125-130	0	0%
40-45	407.5	9.2%	130-135	0	0%
45-50	400.1	9.0%	135-140	0	0%
50-55	378.8	8.5%	140-145	0	0%
55-60	344.4	7.8%	145-150	0	0%
60-65	297.2	6.7%	150-155	0	0%
65-70	240.9	5.4%	155-160	0	0%
70-75	178.2	4.0%	160-165	0	0%
75-80	113.2	2.6%	165-170	0	0%
80-85	54.6	1.2%	170-175	0	0%
85-90	10.7	0.2%	175-180	0	0%

**PHOTOMETRIC DATA**



	Illuminance at a Distance	
	Center Beam LUX	Beam Width
8.3ft	245.44 LUX	24.5ft 25.2ft
16.7ft	61.36 LUX	49.0ft 50.4ft
25.0ft	27.27 LUX	73.4ft 75.6ft
33.3ft	15.34 LUX	97.9ft 100.8ft
41.7ft	9.82 LUX	122.4ft 126.0ft
50.0ft	6.82 LUX	146.9ft 151.2ft

■ Vert. Spread: 111.5° ■ Horiz. Spread: 113.0°

