

PROJECT NAME	
CATALOG NUMBER	
NOTES	
FIXTURE TYPE	

### PRODUCT DESCRIPTION

The VS Series 2X2FT LED flat panel delivers high lumens of exceptional 82+ CRI light while achieving 125 lumens per watt. It is available in 3000K, 3500K, 4000K, 5000K DLC CCT options and has 0-10V dimming, which is perfect for new construction applications or retrofitting existing fluorescent troffer fixtures with recessed installation, widely used in office spaces, major retail stores, education, government, healthcare and hospitality.

### PERFORMANCE SUMMARY

Efficacy: 125LPW

Delivered Light Output: 5000Lumens

Input Power: 40Watts

CRI: Ra>80

DLC CCT: 3000K, 3500K,4000K, 5000K

Input Voltage: 100-277 VAC

Input current: 0.4 -0.14A

THD: <20%(at 277V)

Power Factor: >0.9(277V )

Diver Input: AC42V 1.8A

Standard Lifetime: Designed to L70 minimum 50,000 hours

Mounting: Recessed

0-10V dimming (20%-100% smooth dimming)

Signal Current: 0.92mA

Recommended Dimmers:DIVA-DVTV(LUTRON),NOVA T NTSTV-DV(LUTRON)

Dimensions: L 23.7" x W 23.7" x H 1.8

Fixture measurement and weight are round up, pls contact your OKT representative for exact data.

### REGULATORY & VOLUNTARY QUALIFICATIONS

ETL Listed Yes

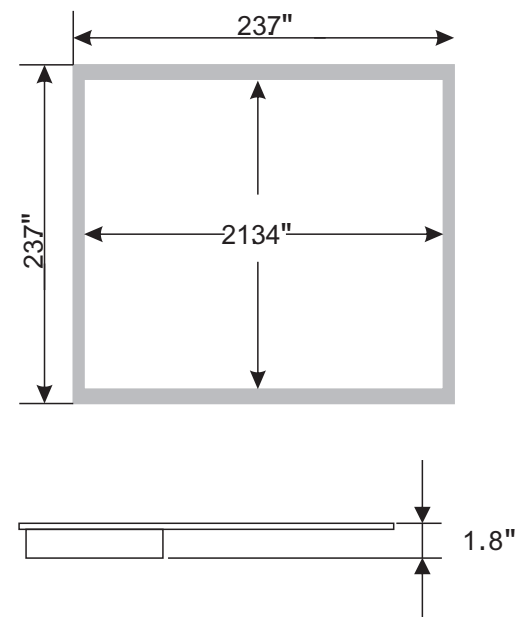
cULus Listed E360437

DLC Qualifications Yes

LM79 Report Yes

Damp Rated Yes

## VS Series 2x2FT DLC Premium Version



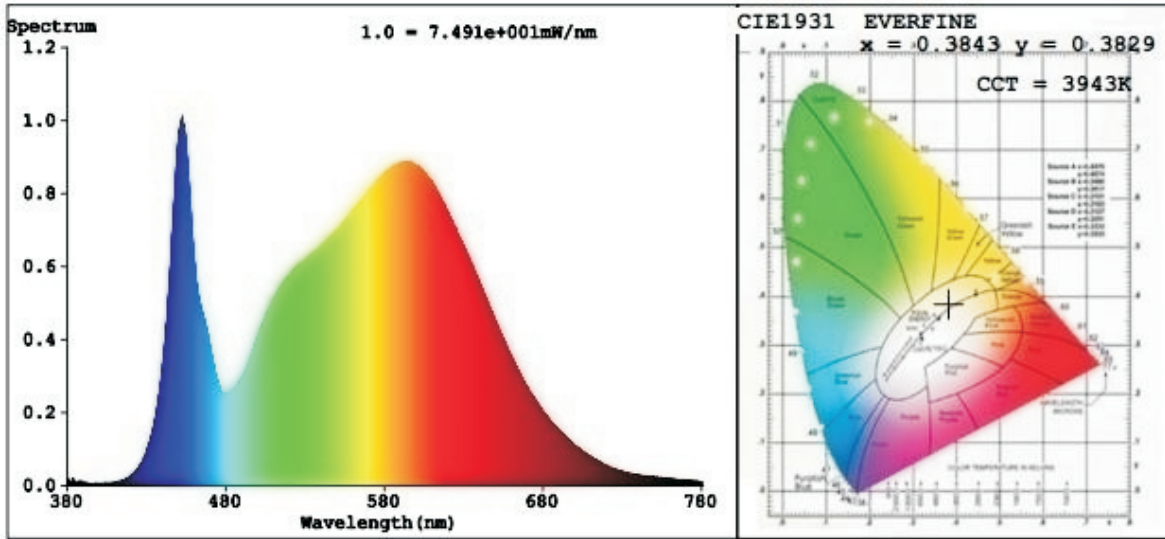
### ORDER INFORMATION

EXAMPLE: VS22-DM4P

Product category	Size	Dimming	Fixture wattage	DLC CCT	Version
VS	22=2'X2'	D=0-10V Dimming	M=40W	30=3000K 35=3500K 40=4000K 50=5000K	P=Premium Version



**SPECTRAL POWER DISTRIBUTION & CHROMATICITY DIAGRAM**

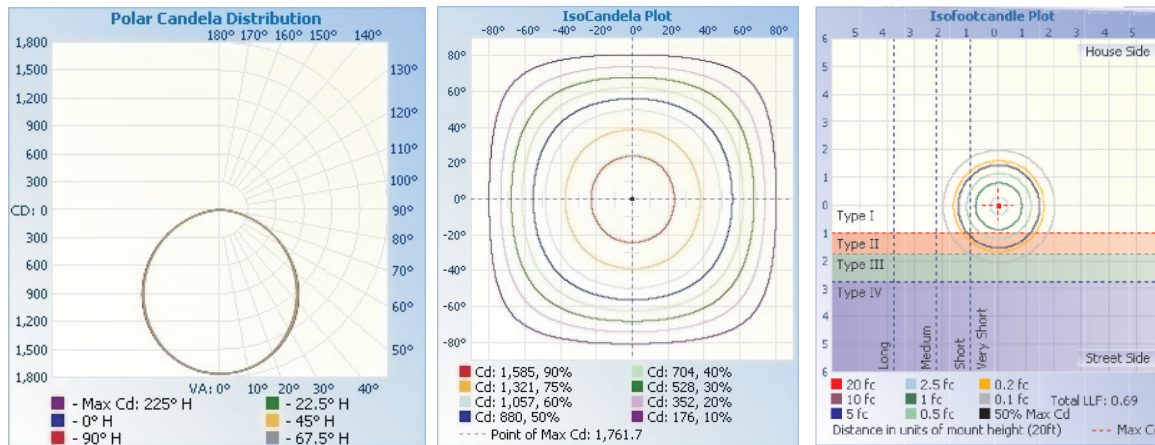


**ZONAL LUMEN TABULATION**

Zonal Lumen Summary		
Zone	Lumens	%Luminaire
0-30	13653.	27.4%
0-40	2,233.9	44.8%
0-60	3,941.4	79.1%
60-90	1,040.5	20.9%
70-100	429.4	8.6%
90-120	0.7	0%
0-90	4,981.9	99.9%
90-180	3.1	0.1%
0-180	4,985.0	100%

Lumens Per Zone					
Zone	Lumens	% Total	Zone	Lumens	% Total
0-10	166.6	3.3%	90-100	00	0%
10-20	476.9	9.6%	100-110	02	0%
20-30	721.8	14.5%	110-120	05	0%
30-40	868.6	17.4%	120-130	07	0%
40-50	898.9	18.0%	130-140	06	0%
50-60	808.6	16.2%	140-150	05	0%
60-70	611.1	12.3%	150-160	03	0%
70-80	343.5	6.9%	160-170	02	0%
80-90	85.8	1.7%	170-180	01	0%

**PHOTOMETRIC DATA**



	Illuminance at a Distance	
	Center Beam fc	Beam Width
17.0ft	6.09 fc	50.9 ft 49.6 ft
34.0ft	1.52 fc	101.7 ft 99.2 ft
51.0ft	0.68 fc	152.6 ft 148.9 ft
68.0ft	0.38 fc	203.5 ft 198.5 ft
85.0ft	0.24 fc	254.3 ft 248.1 ft
102.0ft	0.17 fc	305.2 ft 297.7 ft

Vert. Spread: 112.5°  
Horiz. Spread: 111.2°

