

Flicker Free Type IC 3" Gimbal LED Recessed Lights

Part #: D3-C2

Job Information			
Project Name			
Location			
Quantity		Date	
Contact		Phone	



Specifications	
Cut-Out Size	3 inch
Wattage	8 watts
Input Volatge	AC110V/100-277V,60Hz
Beam Angle	38°
Light Sourece	COB LED (LM80 Rated)
Color Temperature	27K/30K/40K/50K/60K
CRI	>83Ra
Lumens Output	700lm~
Lumen Efficiency	85~90lm/w
Halogen Equiv.	65 watts
Dimmable	10%-100% (110V only)
Dimming Tech.	Triac dimming
Cerification	ETL,cETL,Energy Star
Power Factor	>0.95
Projected Life	50,000hrs at 70% Light Output
Warranty	3 years
Approved Location	Damp Locations
IC Rated	Yes
Air Tight	Yes

Housing
Durable cold-forging aluminum lamp housing with excellent heat dissipation, provide maximum airflow for the COB LED light source.

LED Characteristics
This fixture contains a LM80 rated COB LED module that offer high light color uniformity, 8 watts up to 700 lumens;

Dimming
This gimbal light is dimmable from 100% down to 5% smoothly and no flicker, works with the majority of standard triac dimmers like Lutron/leviton,etc. Please contact us for compatible dimmer list.

Beam Angle
The fixture lens provides 38° beam spread, the special design makes it possible for 360° rotatable and 45° tilted smoothly.

Mounting
Includes two spring loaded clips to attached to any ceiling material. Easy recessed installation without needing a stand pot light can.

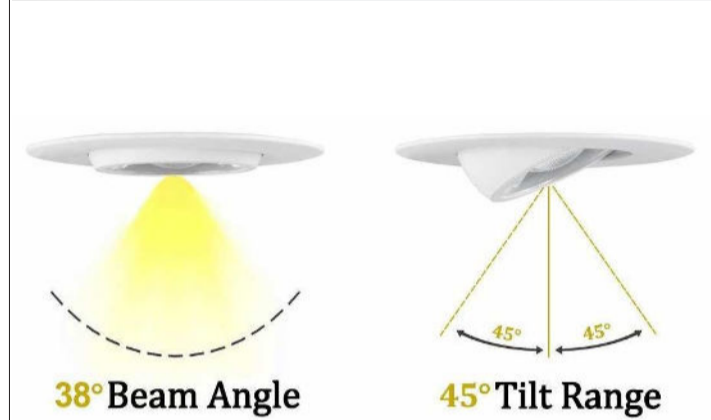
LED Driver
Aluminum/Iron metal driver box with junction box and a reliable isolated constant current dimmable class II electronic LED driver inside.

Quick Connect push-in terminals
Three "Quick connect" push-in terminals for fast and easy wiring. Operating Temperature: -20°C~40°C (-4°F~104°F)

Special Features
CCT Adjustable function - 3 light color in one light.

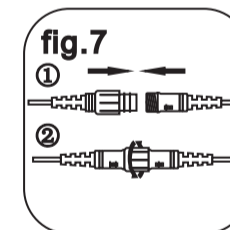
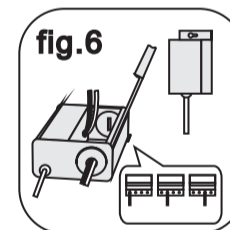
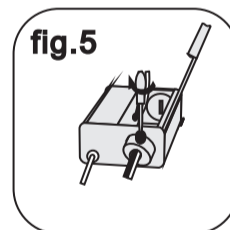
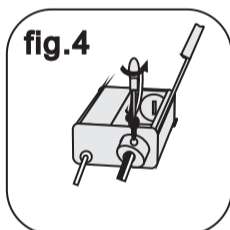
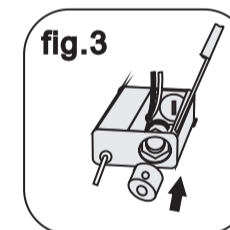
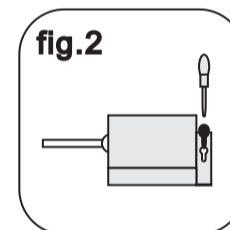
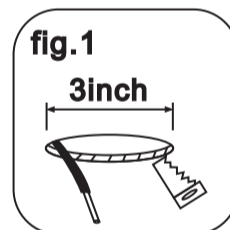
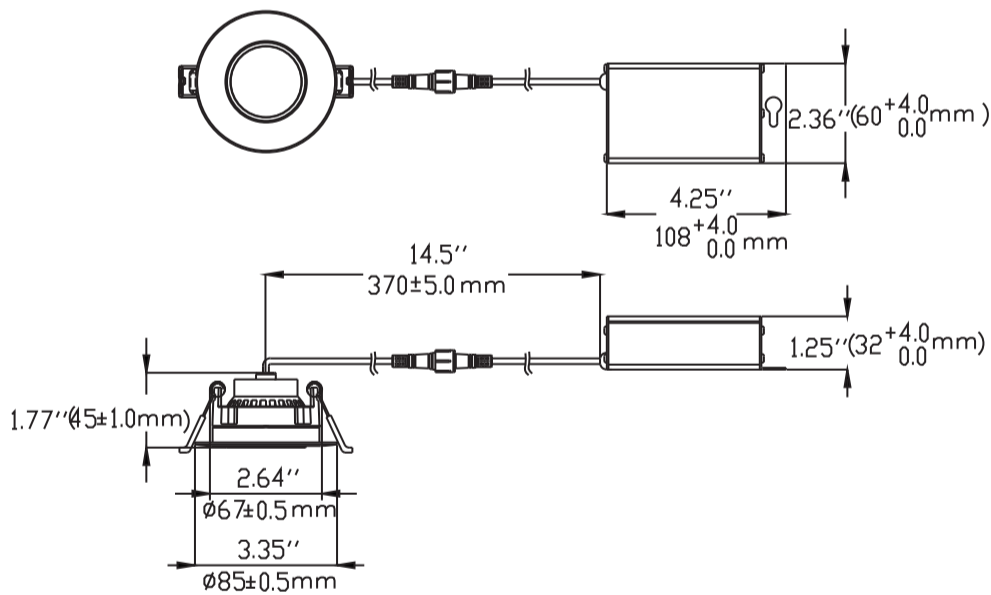
Version A: Select a color temperature from warm white, nature white, cool white by using the DIP switch on the driver box.

Version B: Adjust the color temperature by switch on and switch off the fixture quickly within 1 seconds to change the light color circularly among warm white, nature white and cool white. Please contact us for more details.



38° Beam Angle

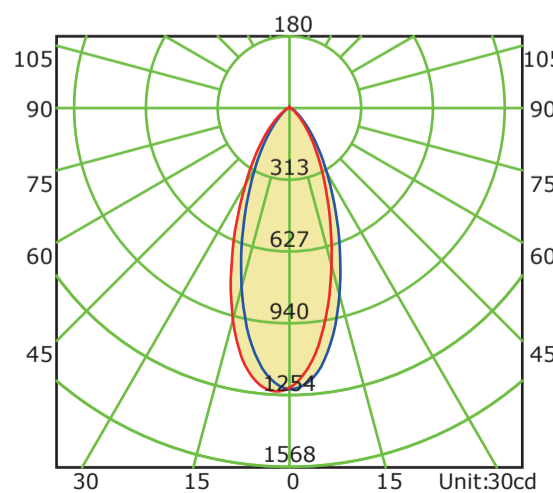
45° Tilt Range



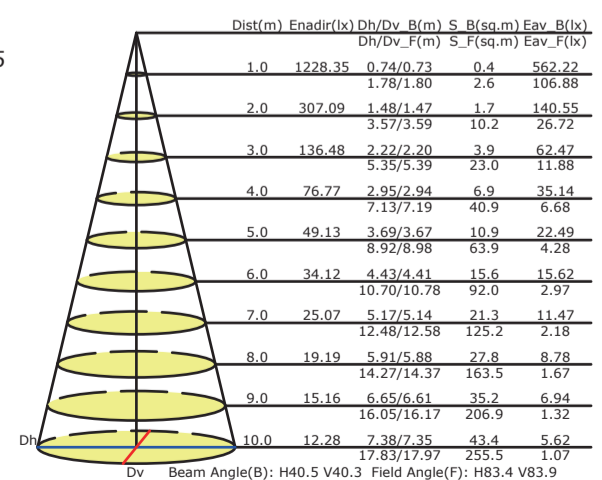
Ordering Guide

D3-C2 -	Color Temperature -	Housing Color
	2700K	WH: White
	3000K	BK: Black
	4000K	BN: Brushed Nickel
	5000K	
	OF(On/Off CCT Change)	
	DIP(DIP Switch CCT Select)	

Luminous Intensity Distribution Curve



Illuminance at a Distance



Model: D3-C2-3000K

*Due to our continued efforts to improve our products, product specifications are subject to change without notice.