

# PENDANT LIGHT

IPL675A01  
09/16

QUESTIONS OR CONCERNS CONTACT AT:

1-800-265-1833 (English) / 1-800-567-2513 (French)

Monday through Friday 8:00 AM to 5:00 PM E.S.T.



INSTRUCTIONS PERTAINING TO RISK OF FIRE OR INJURY TO PERSONS  
READ ALL INSTRUCTIONS

**IMPORTANT SAFETY  
INSTRUCTIONS**  
SAVE THESE INSTRUCTIONS

## TOOLS AND MATERIALS REQUIRED:



Phillips  
Screwdriver



Wire Cutters



Pliers



Wrench

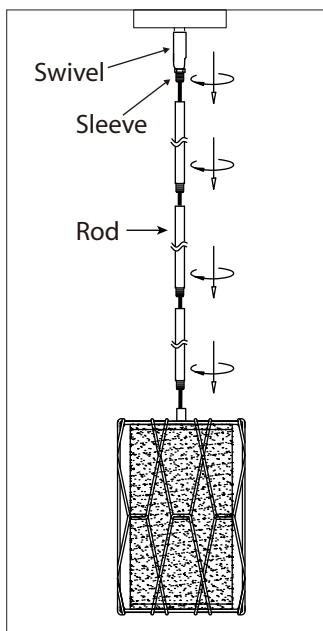
Wiring supplies  
as required by  
local electrical  
code

## SAFETY PRECAUTIONS:

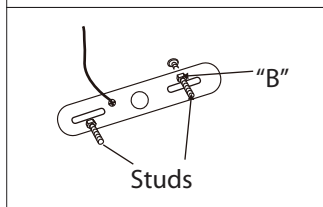
1. **TURN OFF ELECTRICAL POWER BEFORE STARTING INSTALLATION OF LIGHT FIXTURE.**
2. **THIS PRODUCT MUST BE INSTALLED IN ACCORDANCE WITH THE APPLICABLE INSTALLATION CODE BY A PERSON FAMILIAR WITH THE CONSTRUCTION AND OPERATION OF THE PRODUCT AND THE HAZARDS INVOLVED.**
3. **CONNECT THE GROUND WIRES (BARE COPPER OR GREEN) FROM YOUR FIXTURE TO THE GROUND WIRE (BARE COPPER OR GREEN) OR GROUND SCREW IN THE ELECTRICAL BOX.**
4. **TO CLEAN THE FIXTURE, TURN OFF THE POWER, WAIT FOR IT TO COOL, AND WIPE THE FIXTURE WITH A CLEAN, SOFT CLOTH.**

**NOTE: Product may not look exactly as shown in figures.**

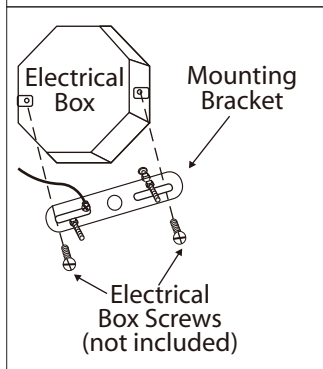
## INSTALLATION:



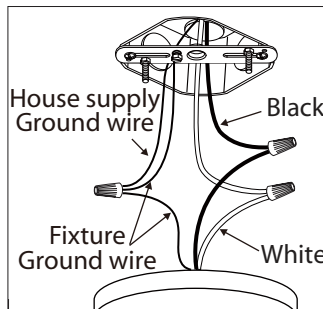
1. Install the length of rod that is required by threading wire through the rod and screwing it to the fixture. Install swivel to the rod, ensuring that the sleeve is at the swivel.



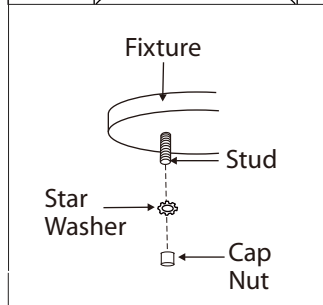
2. Loosen "B". Adjust stud to desired length and lock in place with "B"



3. Mount the mounting bracket to electrical box using electrical box screws (not included). Make sure the studs on the mounting bracket are facing out from the electrical box.

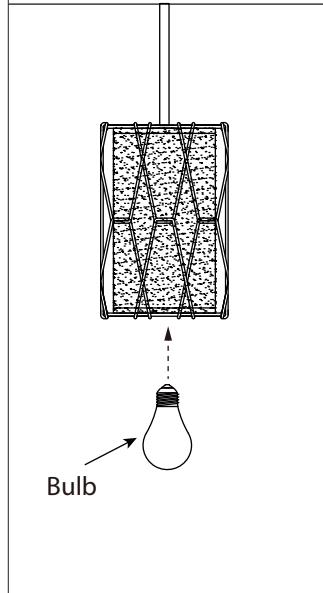


4. Connect the ground wires (bare copper or green) from your fixture to the ground wire (bare copper or green) or ground screw in the electrical box. Connect the black wire from the fixture to the black wire in the electrical box and connect the white wire from the fixture to the white wire in the electrical box.



5. Once connections of wires are completed, carefully tuck wires and wire nuts into the electrical box making sure no bare wire (on the black and white) is visible at the wire nuts.

6. Position fixture over studs on mounting bracket assembly. Secure fixture in place with star washer(s) and cap nut(s).



7. Install specified bulb type and wattage (not included).