



PROJECT NAME	
CATALOG NUMBER	
NOTES	
FIXTURE TYPE	

PRODUCT DESCRIPTION

The 2X2FT LED troffer offers a traditional yet modern design with the latest lighting technology. Transparent optics engineered specifically for LED sources are integrated with minimalist design and architectural materials to create a broad range of solutions with superior optical and energy performance. High performing optics allows for maximum energy savings and optimal illumination in a ultra-minimalistic shallow recessed fixture, provides a unique translucent appearance without sacrificing performance. Long-life LED system coupled with electrical driver to deliver optimal performance. LEDs are available in 3000K, 3500K, 4000K and 5000k. Standard drivers are 0-10 volt continuous dimming that work with 0-10V control/dimmer.

PERFORMANCE SUMMARY

Model: TT22-DM-XXX

Efficacy: 100LPW

Delivered Light Output: 4000Lumens

Input Power: 40Watts

CRI: Ra>80

DLC CCT: 4000K, 5000K

Input Voltage: 100-277V AC

Input current: 0.5A

THD: <20%(at 277V)

Power Factor: >0.9(277V)

Driver output: DC42V 1 A

Standard Lifetime: Designed to L70 minimum 50,000 hours

Mounting: Recessed

Dimming: 0-10v dimming

Signal Current: <2mA

Recommended Dimmers: DDTV (LUTRON), NOVA T NTSTV-DV(LUTRON)

Dimensions: L 23.7"x W 23.7" x H3.54"

REGULATORY & VOLUNTARY QUALIFICATIONS

UL Listed YES

DLC Qualifications YES

LM79 Report YES

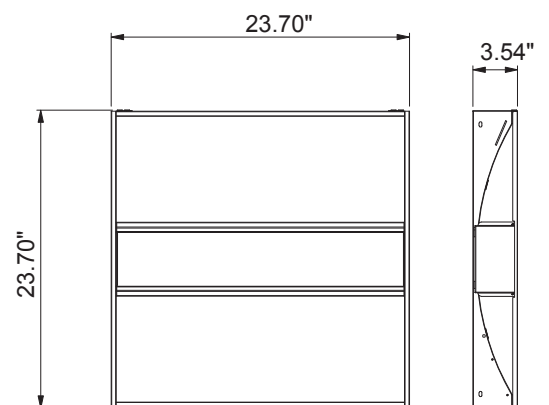
Damp Rated YES

ORDER INFORMATION

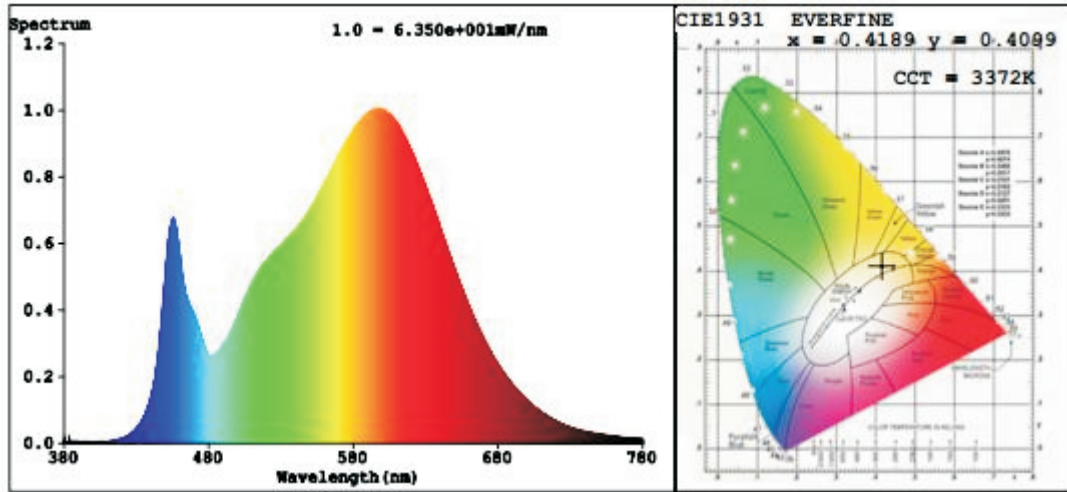
TT22-DM-40E

Product category	Size	Dimming	Fixture wattage	CCT	CRI
TT=Transparent Troffer	22=2'X2'	D=0-10v Dimming	M=40W	30=3000k 35=3500k 40=4000k 50=5000k	E=80 CRI

TT Series 2x2FT 40W Indirect LED Troffer



SPECTRAL POWER DISTRIBUTION & CHROMATICITY DIAGRAM

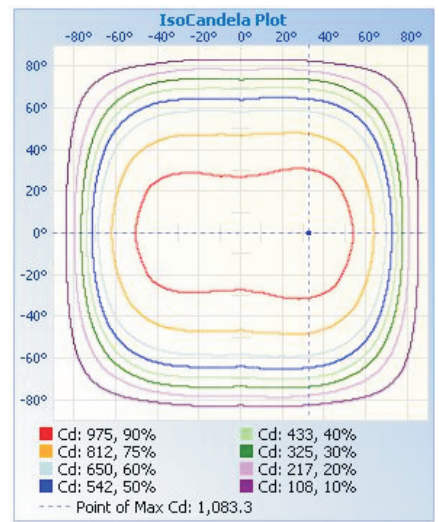
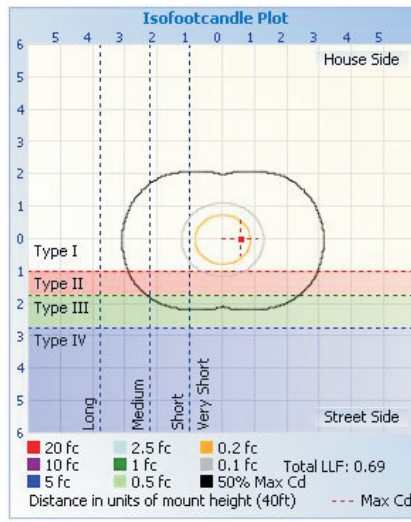
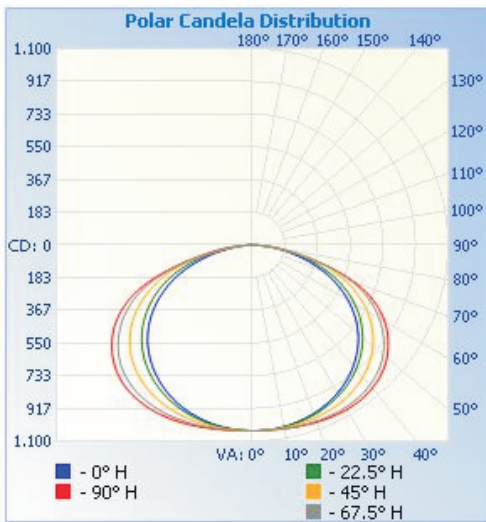


ZONAL LUMEN TABULATION

Zonal Lumen Summary		
Zone	Lumens	%Luminaire
0-30	868.2	21.3%
0-40	1,492.8	36.6%
0-60	2,951.1	72.3%
60-90	1,122.5	27.5%
70-100	485.2	11.9%
90-120	4.8	0.1%
0-90	4,073.6	99.8%
90-180	9.3	0.2%
0-180	4,082.8	100%

Lumens Per Zone					
Zone	Lumens	% Total	Zone	Lumens	% Total
0-10	99.4	2.4%	90-100	1.5	0%
10-20	294.1	7.2%	100-110	1.6	0%
20-30	474.6	11.6%	110-120	1.7	0%
30-40	624.7	15.3%	120-130	1.6	0%
40-50	721.7	17.7%	130-140	1.2	0%
50-60	736.5	18.0%	140-150	0.8	0%
60-70	638.8	15.6%	150-160	0.5	0%
70-80	390.6	9.6%	160-170	0.3	0%
80-90	93.1	2.3%	170-180	0.1	0%

PHOTOMETRIC DATA



Height	Illuminance at a Distance	
	Center Beam fc	Beam Width
3.3ft	95.7 fc	13.8 ft 20.4 ft
6.6ft	23.9 fc	27.6 ft 40.8 ft
9.9ft	10.6 fc	41.3 ft 61.2 ft
13.2ft	6.0 fc	55.1 ft 81.6 ft
16.5ft	3.8 fc	68.9 ft 102.0 ft
19.8ft	2.7 fc	82.7 ft 122.3 ft

■ Vert. Spread: 128.8°
■ Horiz. Spread: 144.1°

