

PROJECT NAME	
CATALOG NUMBER	
NOTES	
FIXTURE TYPE	

Description

The OKT 10inch LED Commercial Downlight are suitable for 100~347 VAC Input with fired-rated junction box, which delivers high lumens of exceptional 80+ CRI, Lifetime > 50000H with 3000K,3500K, 4000K, 5000K ES color temperature options. They can replace most manufacturers incandescent, CFL or H.I.D. fixtures with apertures of 7.72" min.to 8.26" max diameter, Easy replacement and installation can be carried out without removing existing fixture.

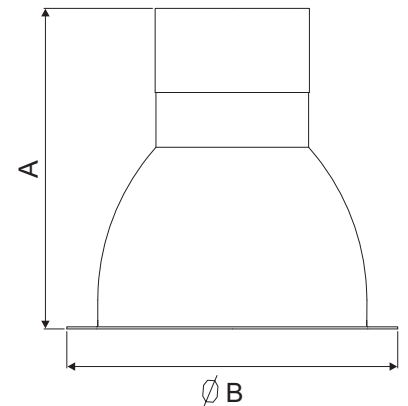
PERFORMANCE SUMMARY

Model	CE10-40W-XXX-347	CE10-50W-XXX-347
Efficacy	85 lm/w	81 lm/w
Rated Power	40 W	50 W
Delivered light output	3400 lm	4050 lm
Input Voltage	100-347V AC	
CRI	Ra>80	
CCT Options	3000K, 3500K, 4000K, 5000K	
THD	<20%	
PF	>0.9	
Standard Warranty	5 Years	
Standard Lifetime	Designed minimum 50,000 hours	
Mounting	Recessed, Retrofit	
Recommended Dimmers	DIVA-DVTV(LUTRON), NOVA T NTSTV-DV(LUTRON)	
Signal Current	<2mA	
Driver Efficiency	>87%	
Temperature Rating	Designed to operate in temperature 45°C and below room side and plenum side.	
UL Listed	YES	
Energy Star Listed	YES	
LM79 Report	YES	
Damp Rated	YES	

10inch Architectural LED Retrofit Downlight

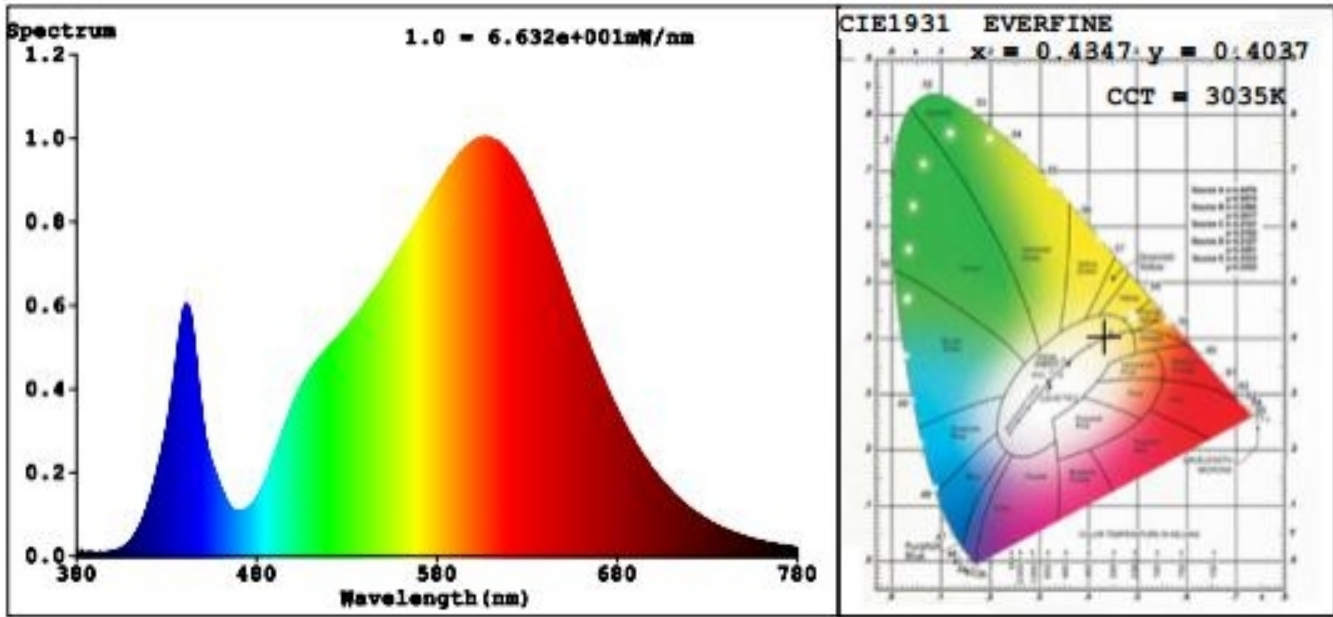


Dimension:

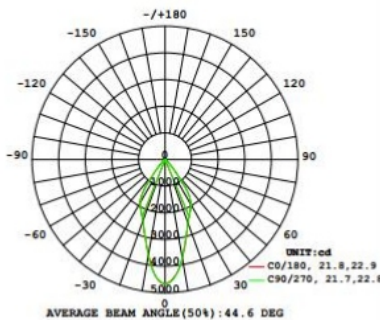


Item NO:	A	B
CE10-40W-XXX-347	8.46"	10.98"
CE10-50W-XXX-347	9.22"	10.98"

SPECTRAL POWER DISTRIBUTION & CHROMATICITY DIAGRAM



ZONAL LUMEN TABULATION



Zonal Lumen Summary		
Zone	Lumens	%Luminaire
0-30	2,237.6	67%
0-40	3,070.0	91.9%
0-60	3,321.6	99.4%
60-90	20.0	0.6%
70-100	7.6	0.2%
90-120	0	0%
0-90	3,341.6	100%
90-180	0.2	0%
0-180	3,341.8	100%

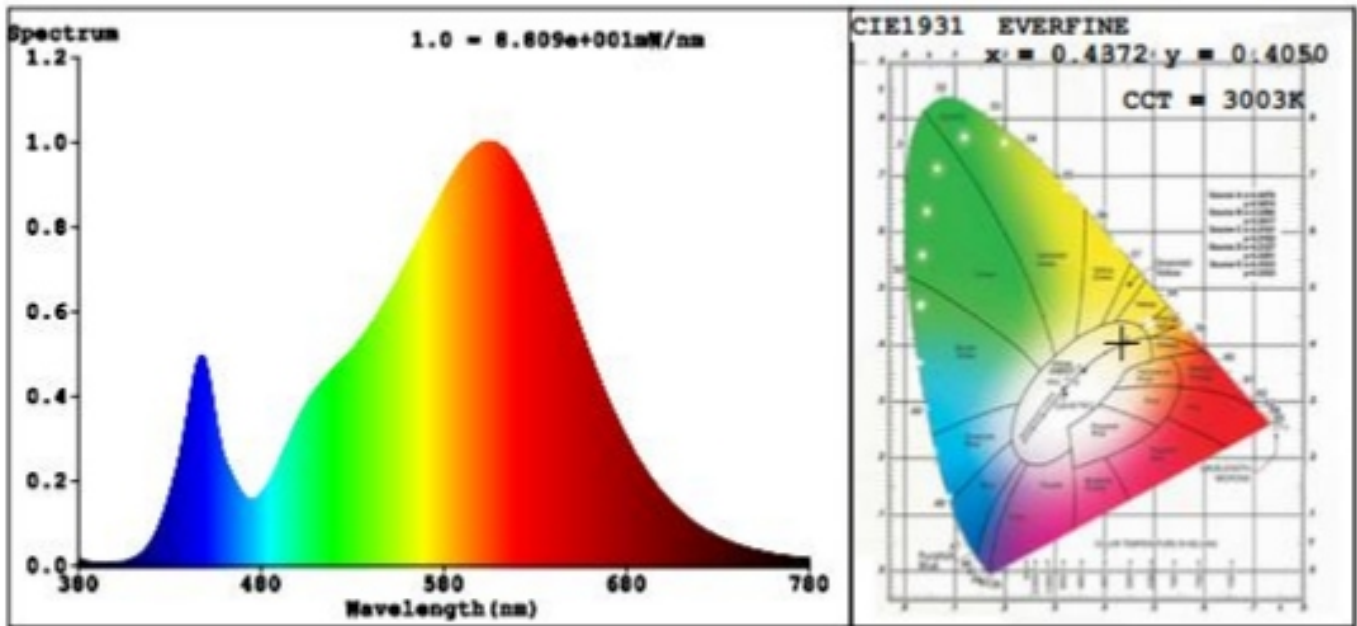
Lumens Per Zone					
Zone	Lumens	% Total	Zone	Lumens	% Total
0-10	393.4	11.8%	90-100	0	0%
10-20	838.5	25.1%	100-110	0	0%
20-30	1,005.7	30.1%	110-120	0	0%
30-40	832.4	24.9%	120-130	0.0	0%
40-50	214.7	6.4%	130-140	0.0	0%
50-60	37.0	1.1%	140-150	0.0	0%
60-70	12.4	0.4%	150-160	0.0	0%
70-80	6.0	0.2%	160-170	0.0	0%
80-90	1.6	0.0%	170-180	0.0	0%

UNIT: cd

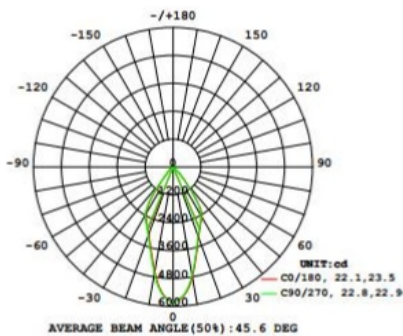
C (DEG)	0	23	45	68	90	113	135	158	180	203	225	248	270	293	315	338
0	4661	4661	4661	4661	4661	4661	4661	4661	4661	4661	4661	4661	4661	4661	4661	4661
5	4383	4465	4491	4465	4407	4341	4307	4328	4360	4373	4385	4386	4352	4282	4239	4277
10	3761	3843	3826	3786	3729	3633	3575	3586	3626	3623	3637	3666	3655	3580	3540	3616
15	3064	3099	3097	3075	3045	3001	2964	2951	2954	2949	2946	2943	2946	2944	2956	3003
20	2531	2558	2562	2547	2527	2501	2477	2463	2458	2460	2455	2447	2447	2457	2475	2509
25	2207	2228	2240	2230	2213	2191	2173	2155	2150	2147	2144	2138	2137	2141	2159	2186
30	1949	1971	1991	1984	1962	1952	1938	1914	1902	1903	1895	1884	1882	1895	1918	1937
35	1456	1443	1451	1468	1477	1463	1429	1400	1392	1341	1302	1299	1340	1382	1426	1464
40	640	711	750	732	680	629	613	591	577	600	618	611	587	557	550	580
45	252	266	272	275	273	266	258	253	259	256	254	251	243	237	235	242
50	90.6	92.6	93.5	93.7	92.1	91.2	88.8	87.9	93.3	93.2	92.5	90.5	87.6	88.2	88.0	90.0
55	37.1	37.2	35.8	34.9	34.1	32.9	32.3	33.2	36.4	37.5	37.7	37.5	37.3	36.2	35.5	35.9
60	20.3	20.3	19.3	18.6	18.1	17.4	17.3	18.2	20.3	20.9	20.8	20.6	20.5	19.9	19.3	19.6
65	12.6	12.5	11.8	11.3	11.0	10.7	10.7	11.5	12.7	12.9	12.7	12.5	12.5	12.2	11.9	12.1
70	8.52	8.44	8.04	7.70	7.48	7.25	7.35	7.88	8.64	8.72	8.48	8.33	8.30	8.15	8.00	8.23
75	5.92	5.89	5.58	5.35	5.23	5.13	5.20	5.55	6.04	6.04	5.82	5.71	5.69	5.60	5.55	5.74
80	3.84	3.83	3.63	3.45	3.37	3.35	3.42	3.66	3.94	3.90	3.66	3.51	3.49	3.51	3.55	3.72
85	1.60	1.60	1.38	1.17	1.12	1.19	1.38	1.58	1.70	1.59	1.28	1.04	0.96	1.06	1.30	1.54



SPECTRAL POWER DISTRIBUTION & CHROMATICITY DIAGRAM



ZONAL LUMEN TABULATION



Zonal Lumen Summary		
Zone	Lumens	%Luminaire
0-30	2,820.6	67%
0-40	3,861.4	91.7%
0-60	4,182.0	99.3%
60-90	27.4	0.7%
70-100	10.5	0.3%
90-120	0.0	0%
0-90	4,209.4	100%
90-180	0.2	0%
0-180	4,209.6	100%

Lumens Per Zone					
Zone	Lumens	% Total	Zone	Lumens	% Total
0-10	495.6	11.8%	90-100	0	0%
10-20	1,061.6	25.2%	100-110	0	0%
20-30	1,263.3	30.0%	110-120	0.0	0%
30-40	1,040.8	24.7%	120-130	0.0	0%
40-50	272.5	6.5%	130-140	0.0	0%
50-60	48.1	1.1%	140-150	0.0	0%
60-70	16.8	0.4%	150-160	0.0	0%
70-80	8.3	0.2%	160-170	0.0	0%
80-90	2.3	0.1%	170-180	0.0	0%

UNIT: cd

C (DEG)	0	23	45	68	90	113	135	158	180	203	225	248	270	293	315	338
0	5788	5788	5788	5788	5788	5788	5788	5788	5788	5788	5788	5788	5788	5788	5788	5788
5	5532	5476	5436	5452	5487	5499	5480	5454	5441	5408	5385	5416	5490	5544	5570	5575
10	4804	4707	4614	4642	4712	4701	4623	4565	4559	4515	4478	4540	4664	4735	4787	4833
15	3893	3865	3821	3819	3824	3799	3753	3712	3695	3682	3678	3728	3798	3855	3892	3908
20	3205	3196	3177	3165	3151	3134	3107	3079	3076	3057	3066	3104	3146	3187	3211	3215
25	2783	2771	2761	2751	2739	2726	2711	2692	2683	2670	2679	2707	2738	2774	2791	2795
30	2461	2456	2451	2436	2409	2394	2383	2365	2358	2359	2370	2392	2408	2448	2466	2471
35	1840	1859	1842	1810	1754	1688	1623	1639	1651	1656	1662	1699	1734	1776	1791	1818
40	861	822	805	788	789	795	779	748	717	697	708	724	766	845	902	913
45	345	331	320	318	323	318	305	296	301	297	297	304	318	334	343	354
50	123	121	118	117	118	115	110	107	109	107	107	110	117	122	125	127
55	49.4	47.6	46.4	46.5	48.2	48.0	46.1	44.7	44.6	43.5	43.1	44.5	48.1	50.1	50.5	50.7
60	27.5	26.6	25.6	25.7	26.9	26.8	25.5	24.5	24.2	23.6	23.6	24.9	27.4	28.4	28.4	28.2
65	17.0	16.5	15.9	16.1	16.9	16.8	15.9	15.2	15.1	14.6	14.7	15.9	17.5	17.9	17.7	17.6
70	11.4	11.1	10.8	11.0	11.6	11.5	10.8	10.3	10.1	9.94	10.1	10.8	11.8	12.1	11.8	11.6
75	7.92	7.74	7.62	7.74	8.10	8.05	7.62	7.22	7.08	6.99	7.11	7.56	8.23	8.44	8.20	8.03
80	5.22	5.12	5.05	5.07	5.22	5.21	4.98	4.71	4.62	4.58	4.58	4.79	5.16	5.33	5.31	5.30
85	2.37	2.35	2.39	1.88	1.81	1.87	1.96	1.95	1.95	1.91	1.73	1.58	1.60	1.78	2.11	2.39

