

# Exterior Bollard LED

# EB2936-WH

INSTALLATION SHEET

## START FROM HERE

- Make sure **POWER** is **COMPLETELY OFF** at the fuse box
- Have your fixture installed by a qualified licensed electrician
- Prepare everything in a clear area
- Wear gloves at all time during this installation
- Read instructions carefully before you start assembly
- Keep this installation sheet for future reference

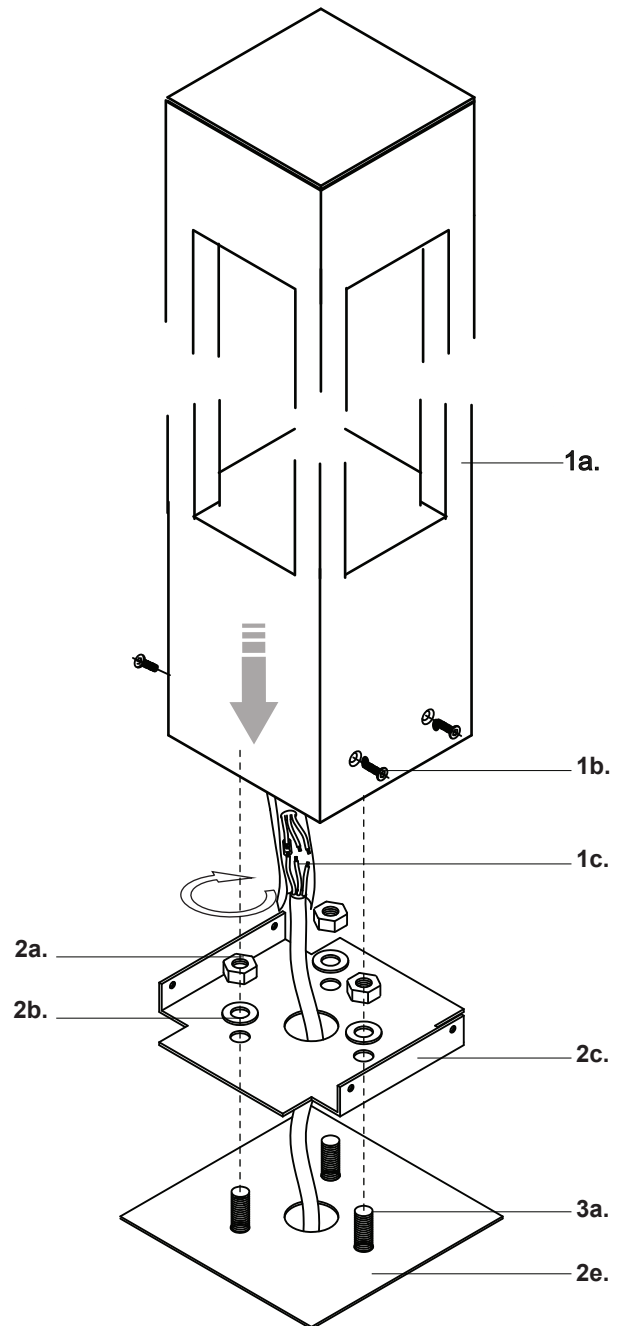
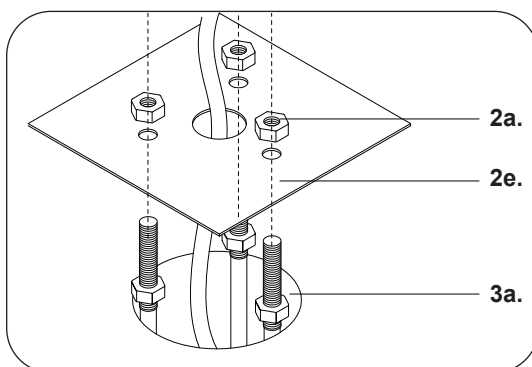
Technical Support: 1-855-855-8926

### Please Note:

- This Kuzco LED fixture comes with pre-wired LED module(s)
- Unless instructed, Do Not touch any part of the LED module(s) as any unnecessary contact with the module could cause permanent damage
- For dimming, an ELV (Electronic Low Voltage) type of dimmer is required
- **For White Finish Only**

1. Remove fixture from its original package
2. Provide means to bring supply wiring to bollard in accordance with local code before pouring concrete
3. Secure anchor bolts (3a) to mounting plate (2e) with hex nuts provided (2a) before concrete cures
4. After concrete is set, remove hex nuts (2a) and expose anchor bolts (3a)
5. Remove base plate (2c) from fixture body (1a) by removing mounting screws (1b)
6. Secure base plate (2c) to anchor bolts (3a) with washer (2b) and hex nuts (2a) provided
7. Pull conduit through base plate to make proper electrical connection (black to hot "L", white to neutral "N", ground to "GND") with wire nuts (1c) provided in hardware package, tie access wires to avoid contact with ground
8. Install fixture body (1a) onto base plate, make sure wires are not pitched between mounting surfaces, and then secure fixture with mounting screws (1b)

Illustration 1



# KUZCO

19054 28th Avenue Surrey, BC Canada V3Z 6M3  
T: 604 538 7162 TF: 1-855 85 KUZCO F: 604 538 7196  
W: kuzcolighting.com  
20190628