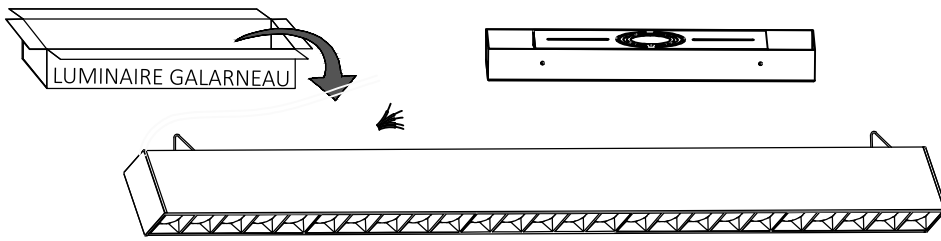











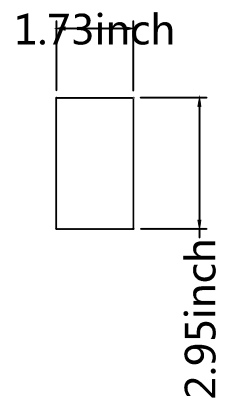
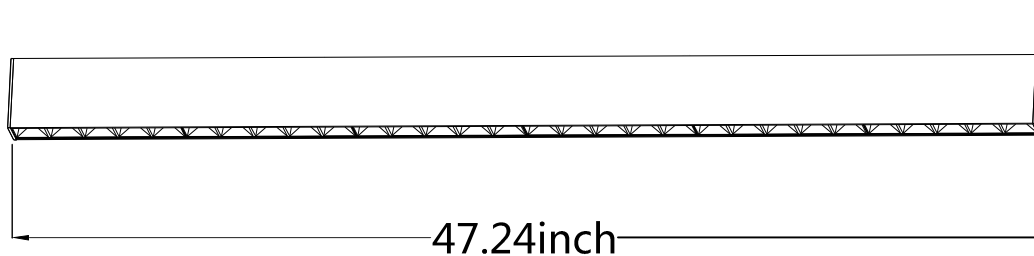
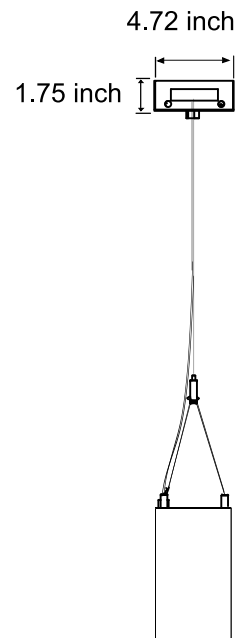
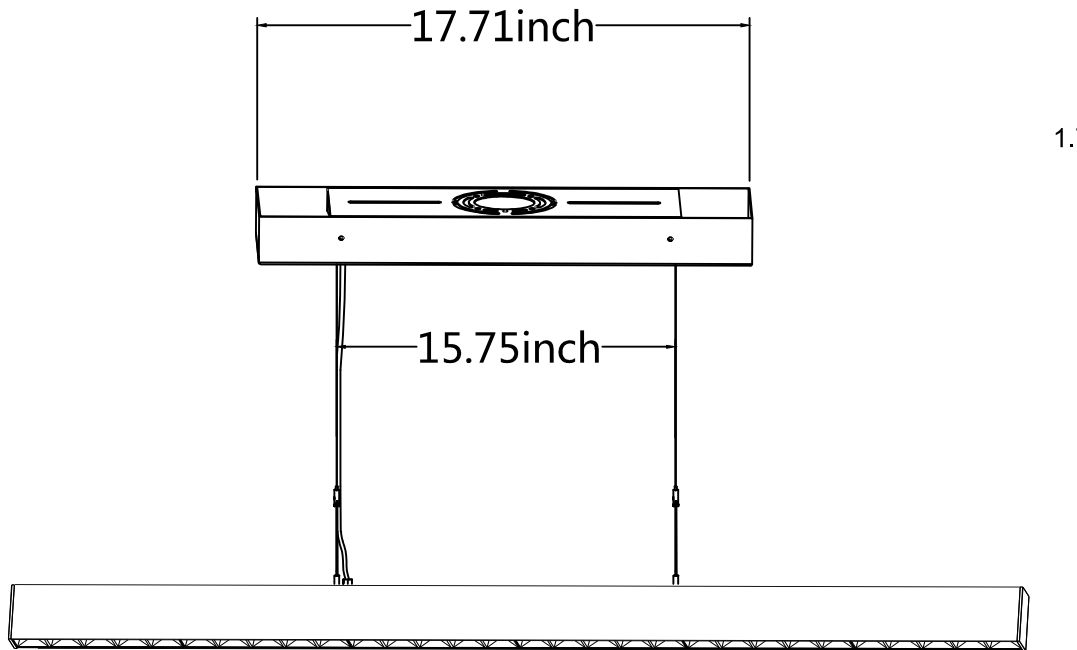
# LUMINAIRE GALARNEAU

## Grammy Louvre Linear Pendant Light



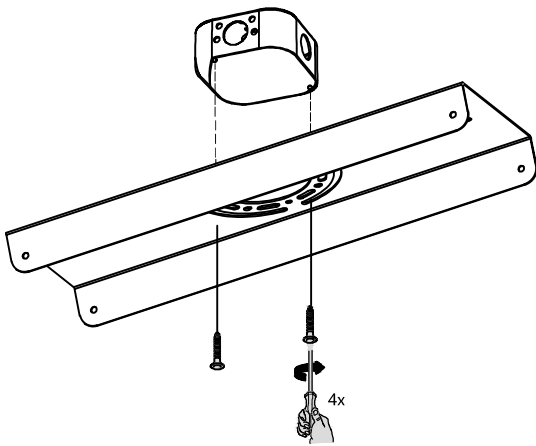
- 1X  1X 
- 1X  4X 
- 2X  2X 
- 1X  2X 
- 2X 

### 1 Luminaire, Driver Box, Canopy Dimension.

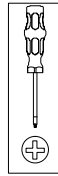
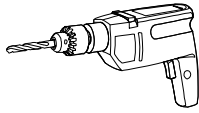
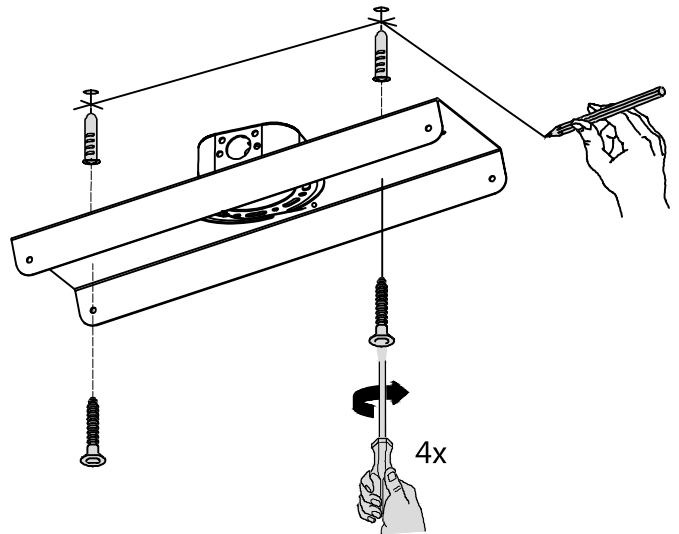


**2** Fix the J-box and the driver box's cover together by screws.

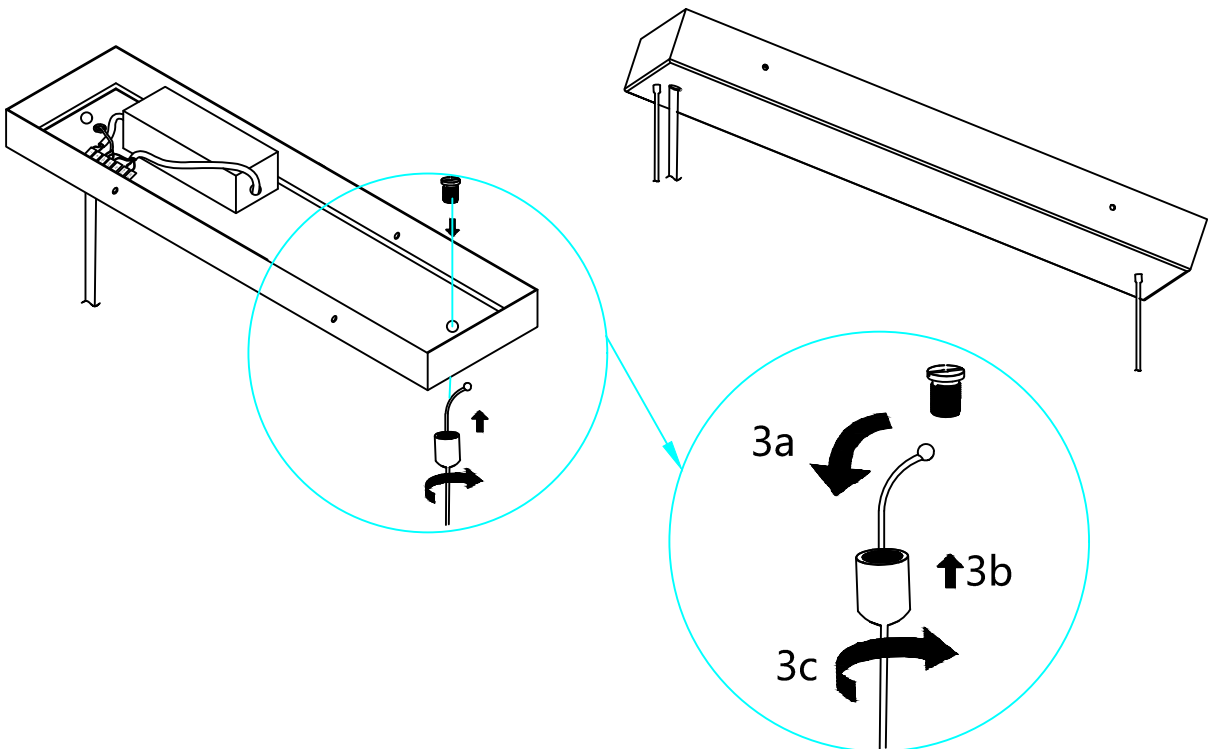
2a



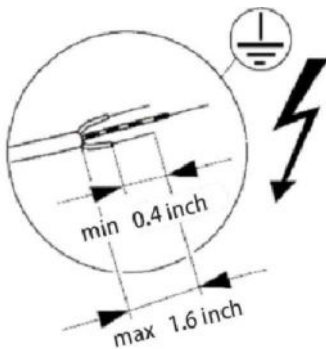
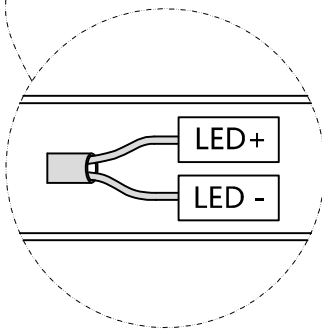
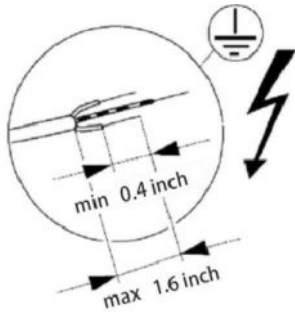
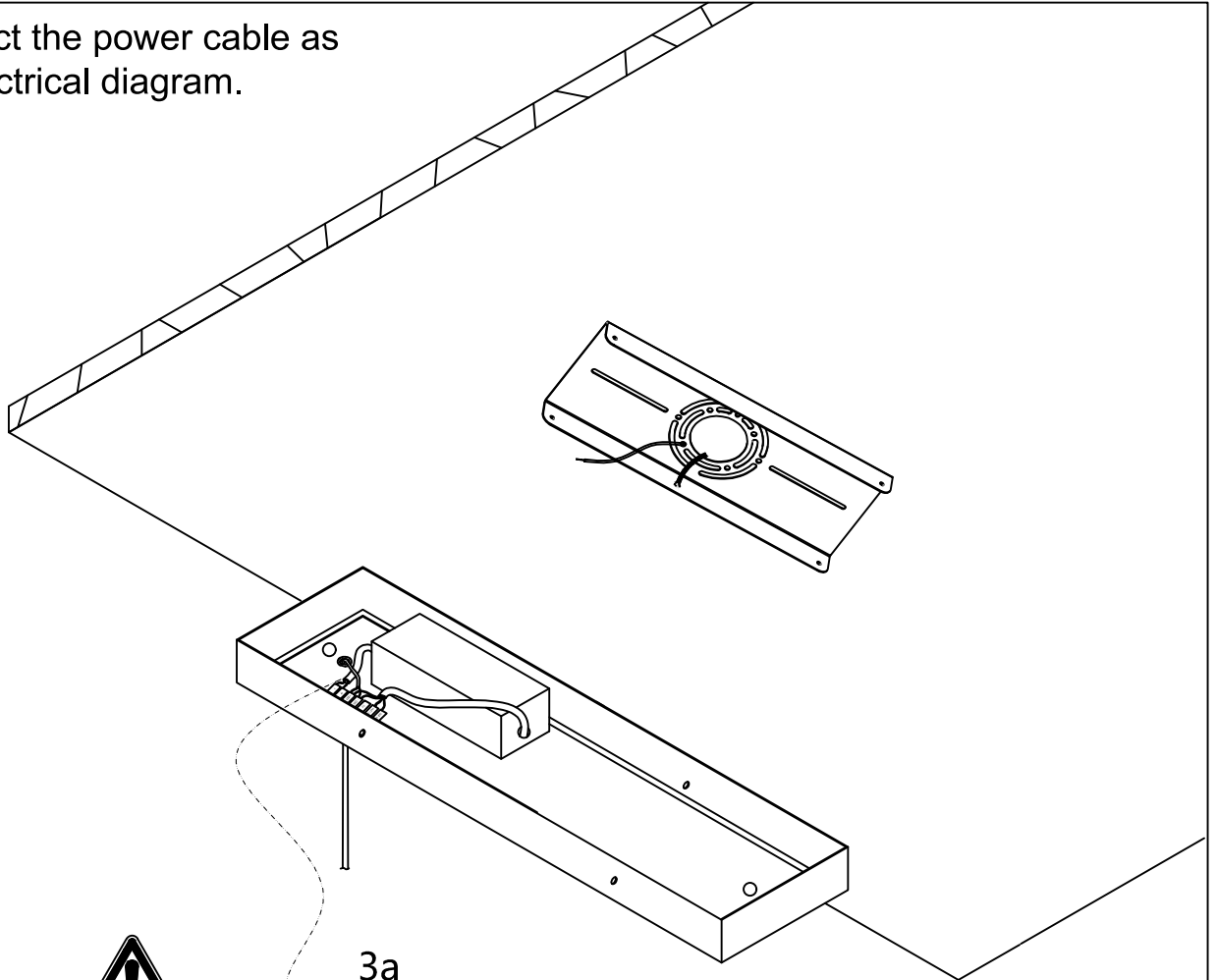
2b



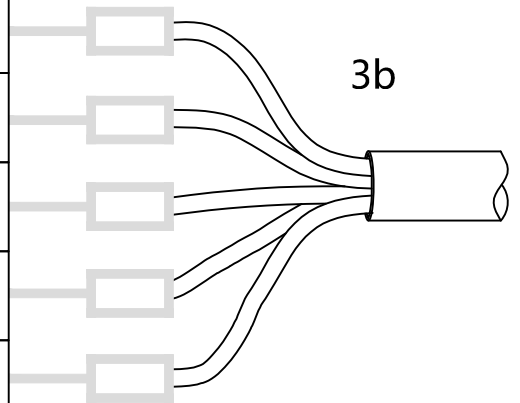
**3** Connect the power cable in the drive box. Put the suspension cord into the nut and tighten.



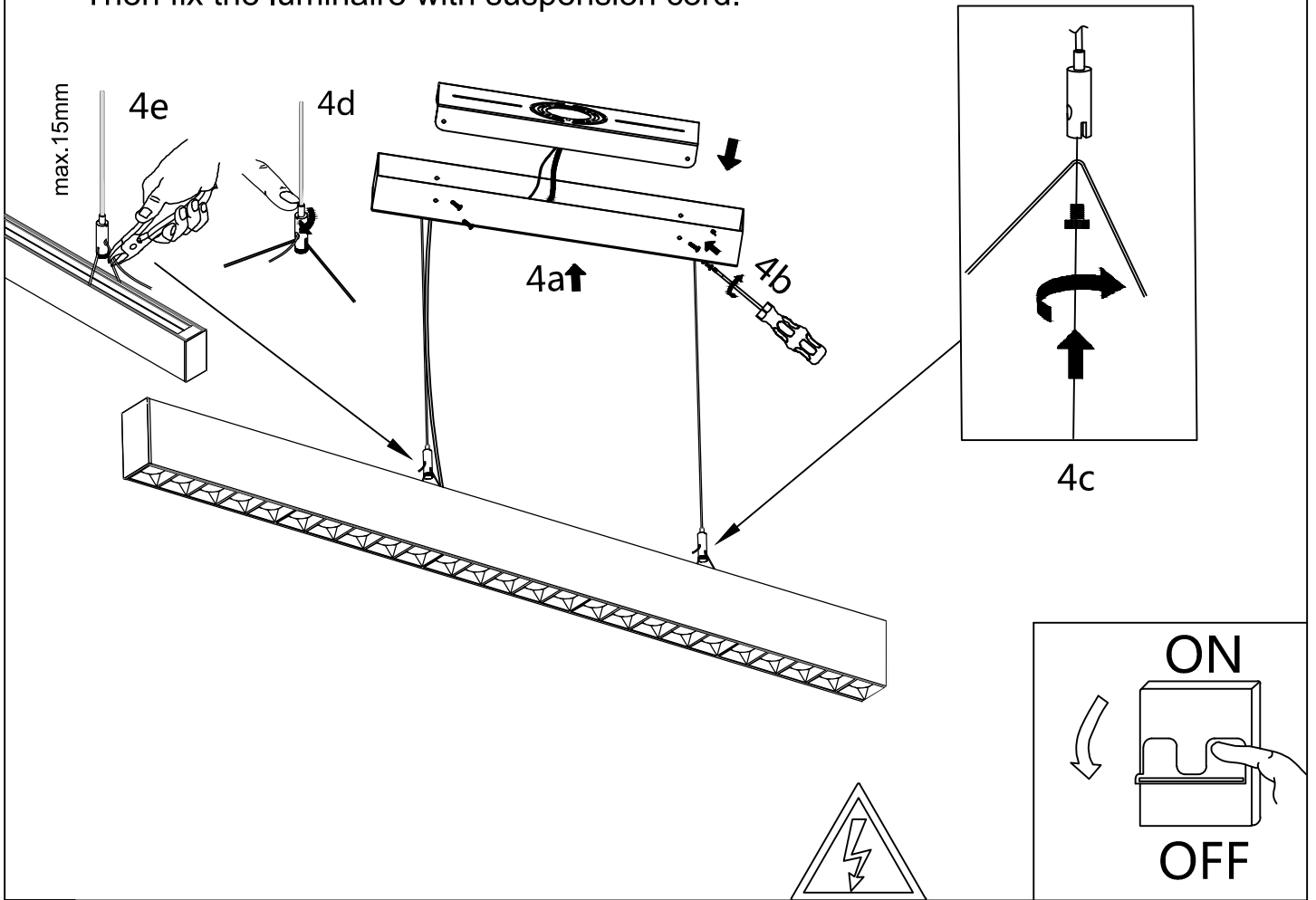
4 Connect the power cable as the electrical diagram.



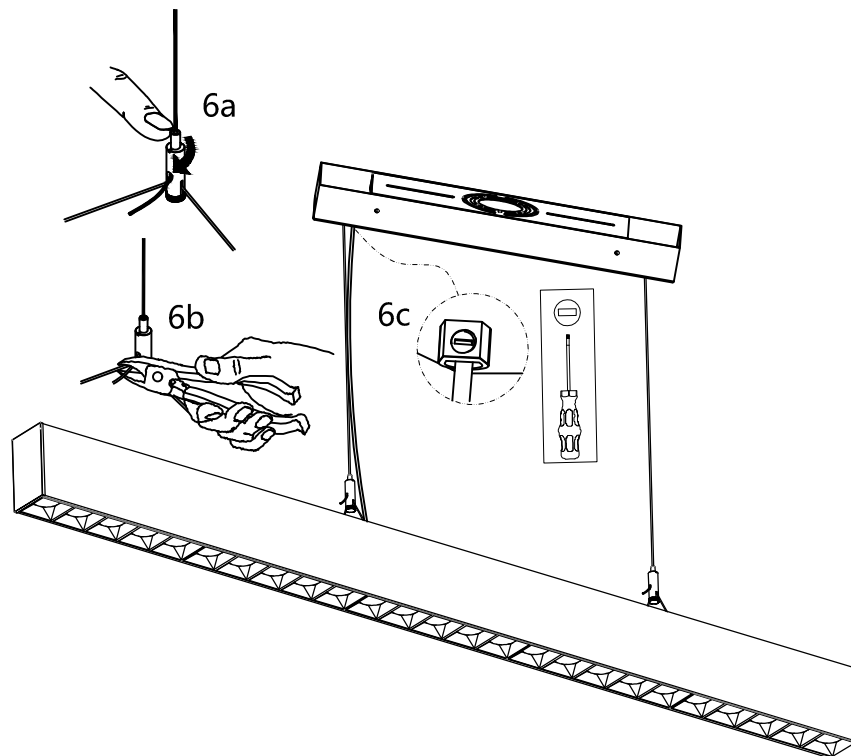
black	L
white	N
yellowgreen	FG
gray	0-10V-
purple	0-10V+



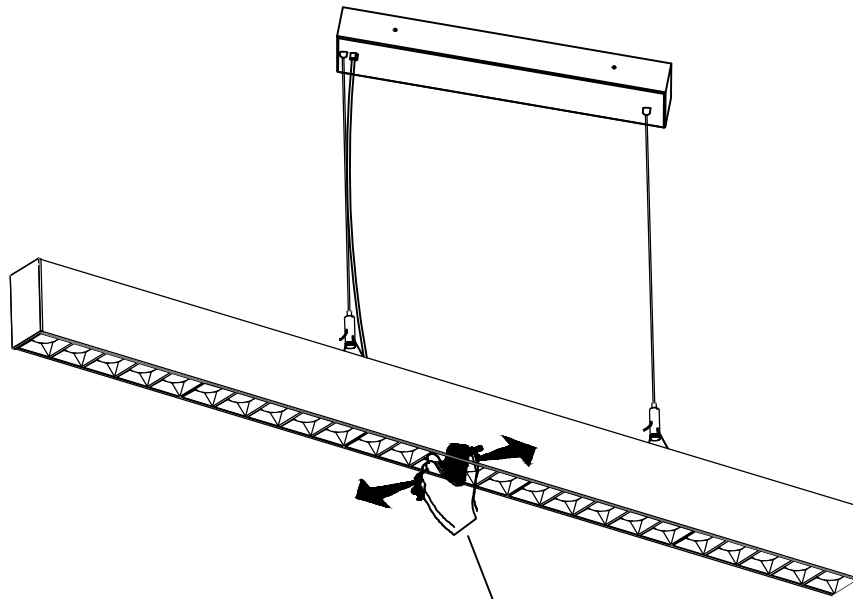
**5** Fix and tighten the driver box and cover together by crew.  
Then fix the luminaire with suspension cord.



**6** Balance the luminaire by adjusting the suspension cord.



7 Clean the Louvres by antistatic soft cotton.



antistatic



## Instructions for installation and operation!

The installation and commissioning of the luminaire as well as any modification to the luminaire may only be performed by qualified electrician. Before any work on the appliance is done, it must be disconnected from mains. Hot plug-in may cause damage to the lamp or luminaire!



The manufacturer is not liable for damages resulting from improper or faulty installation or operation or from unauthorised modifications to the luminaire.

Caution, risk of electric shock!

Specifications are subject to change without notice! If any questions, please contact us.