

Technical Specification	Model Name	FXAGL001AMFNESW80		
	Material code	2015000736	Approval	张峰
			Edition	1.00
	Revision Date	2022.04.20	Draft	张峰

1. Environment

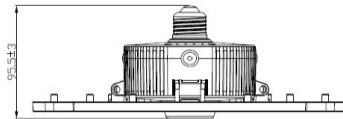
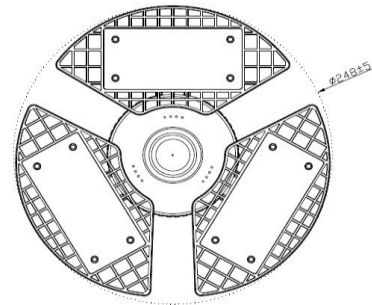
	typical	spec.	
		min.	max
Storage temp.	25°C	-20°C	60°C
Operating temp.	25°C	-20°C	40°C
Storage humidity	60%	—	93%
Operating humidity	60%	—	93%

unit : degC

2. Geometry Property

Dimension & Drawing of products

	typical	spec.	
		min	max
Length (mm)	248	243	253
Wide (mm)	248	243	253
Height(mm)	95,5	92,5	98,5
Weight(g)	556	528	584
Base			



3. Torsion Resistance of Base

	for US
Strength(N-m)	2.5N

4. Electrical Performance

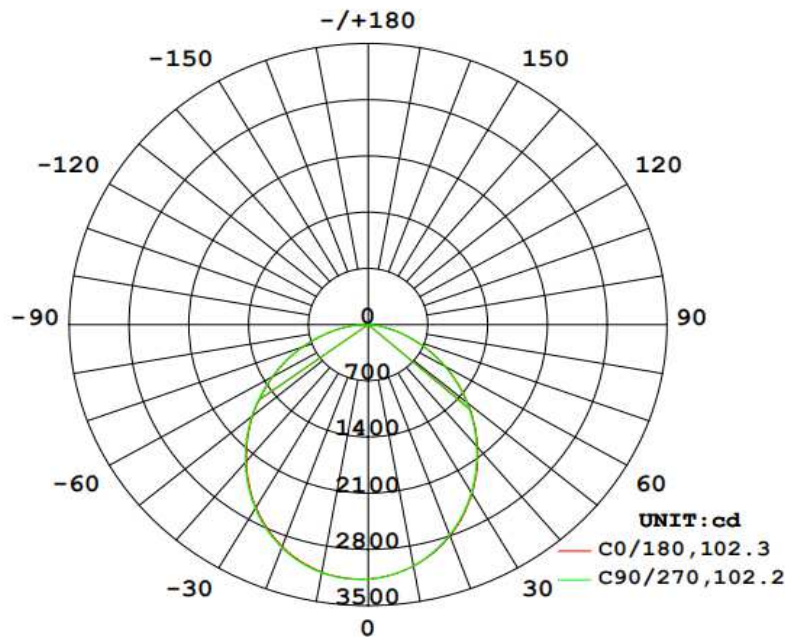
	unit	Typical	Spec.	
			min	max
Consumption Power	(w)	80	76	84
Input Voltage	(v)	120	108	132
Input Current	(A)	0,7	0,63	0,75
Power Factor		0,95	0,9	0,99
Frequency	(Hz)	60		

Technical Specification	Model Name	FXAGL001DMFNESW80-A508KBR243/F-US11		
	Material code	2015000736	Approval	张峰
			Edition	1.00

5. Photometric Performance

	Spec.			
	unit	Typical	min	max
Color Temp.	(k)	5028	4745	5311
Luminous flux	(lm)	8000	7600	—
Illuminous(CBCP)	(cd)	—	—	—
CRI(Ra)		80	80	—
R9		—	0/50	—
Beam Angle	deg	—	100	330
Efficiency	(lm/w)	100,0	95	—

6. Light Distribution data / LED's Spectrum wave form



7. Switching cycle

Switching time	>10,000
----------------	---------

stress condition : 30S ON / 30S OFF

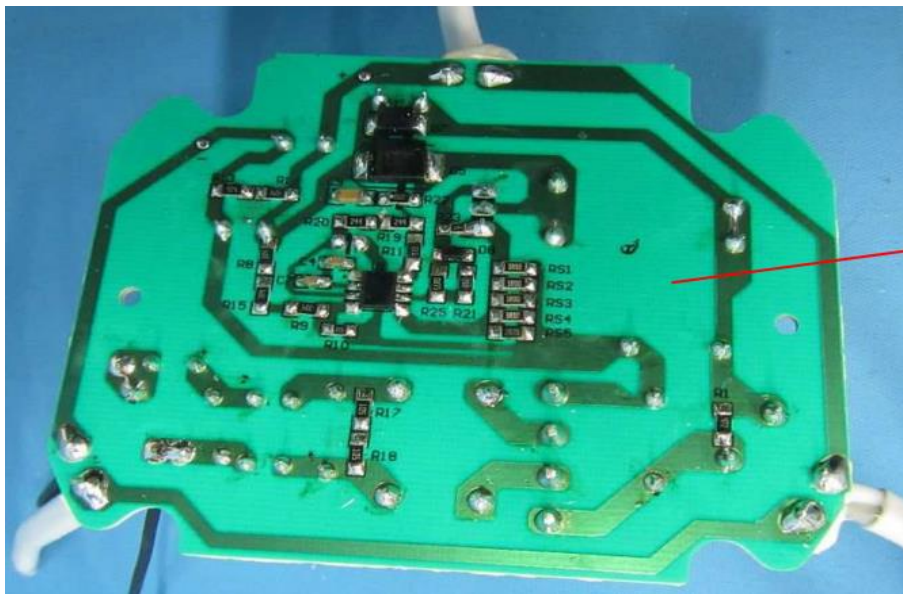
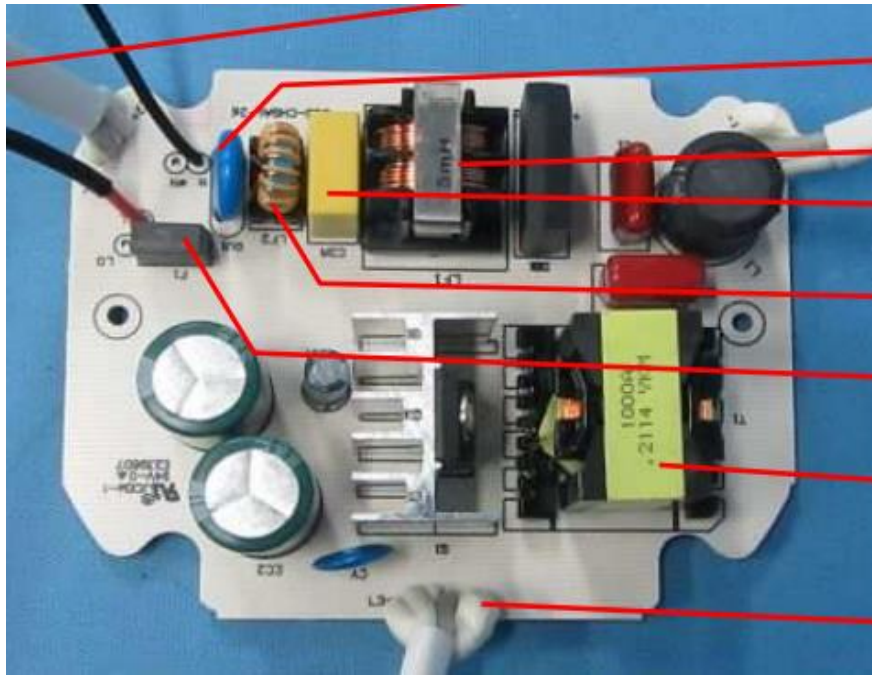
Lifespan(L70) at 25deg :
50,000hours

Technical Specification	Model Name	FXAGL001DMFNESW80-A508KBR243/F-US11		
	Material code	2015000736	Approval	张峰
			Edition	Review
	Revision Date	2022.04.20	1,00	Draft

8	Ceterfictation					
Model Name	UL	ES	ETL	DLC		
FXAGL001DM	-	√	√	-		
FNESW80						

9

Power pictures

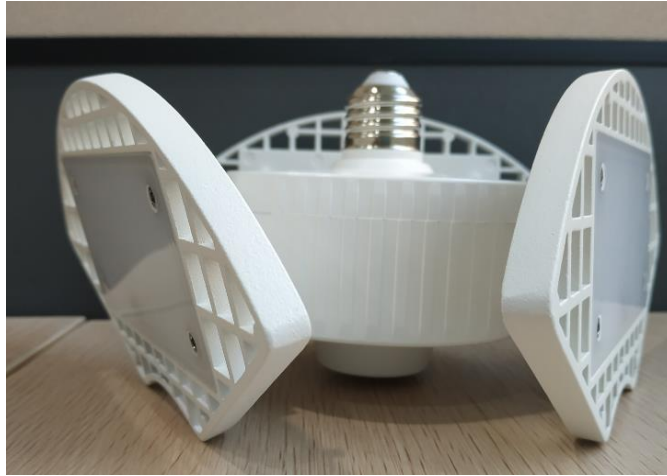


Technical Specification	Model Name	FXAGL001DMFNESW80-A508KBR243/F-US11		
	Material code	2015000736	Approval	张华
			Edition	1.00
	Revision Date	2022. 04. 20	Review	张华
			Draft	张华
1	Product Picture			

Front view



Left view



Vertical view

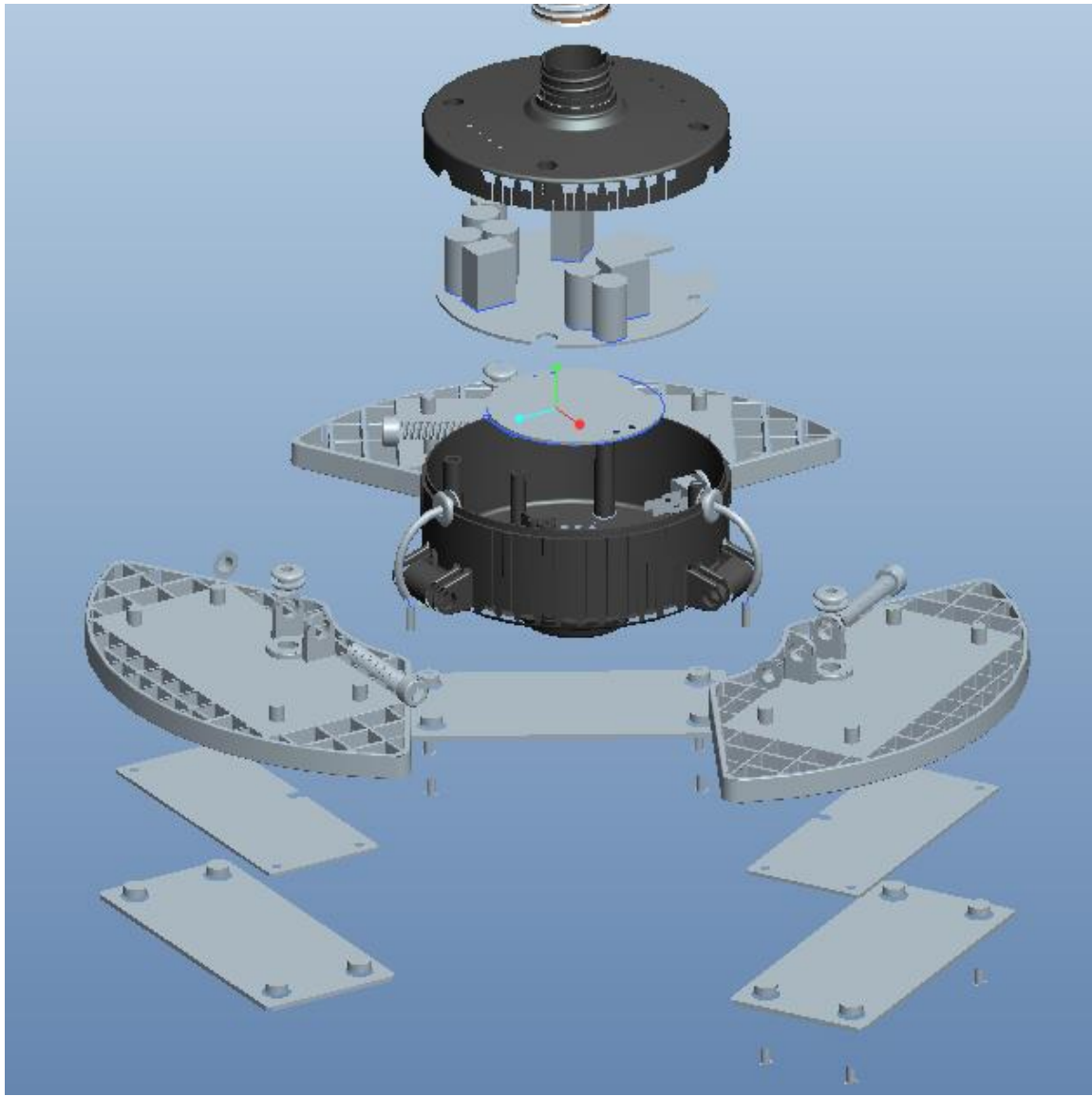


Technical Specification

Model Name	FXAGL001DMFNESW80-A508KBR243/F-US11		
Material code	2015000736	Approval	张峰
		Edition	Review 付博
Revision Date	2022. 04. 20	1, 00	Draft 曾海宇

1 Product explosion chart





Technical Specification	Model Name	FXAGL001DMFNESW80-A508KBR243/F-US11		
	Material code		Approval	张坤
			Edition	1.00
	Revision Date	2022. 04. 20	Draft	曾海宗

LED Chip/Package information

LED Vender	普瑞 /PURUI
model no.	2835
Number of LED per board	108



|