

Triac/0-10V/1-10V/Potentiometer/10V PWM 5 in 1 Dimmable led driver

KVG-DWJ 30W

■ **Features**

- Output constant voltage
- UL, cUL listed, Class 2 unit, Type HL rated. FCC
- Universal AC input: 100-277VAC
- Power Factor: up to 0.99
- High efficiency : up to 80%
- Load: 10-100%
- Protection: short circuit/over loading/ Over temperature
- PWM output, does not change the color index
- Full protection metal case, for dry, damp, wet location
- Flicker-free
- Dimming function:
  - Phase dimming: work with forward phase /leading edge ,MLV and Reverse phase /trailing edge ,ELV, TRIAC dimmers
  - 0-10V dimming: 0-10V/1-10V/Potentiometer/10V PWM 4 in 1
- Dimming range: 0-100%
- Suitable for LED lighting and moving sign applications

Model	KVG-12030-DWJ	KVG-24030-DWJ
<b>Certificates</b>	UL, cUL listed, Class 2 unit, Type HL rated, FCC	
DC Voltage	12V	24V
Rated Current	2.5A	1.25A
Rated Power	30W	30W
<b>Output</b>		
Voltage Tolerance	±0.5V	
Voltage Regulation	±0.5%	
Load Regulation	±1%	
Voltage Range	100-277VAC	
Frequency Range	47-63Hz	
Power Factor		

**Input**

Triac/0-10V/1-10V/Potentiometer/10V PWM 5 in 1 Dimmable led driver

KVG-DWJ 30W

EMC EMISSION	FCC Part 15 B
Net. Weight	0.95Kg
Size	165*94.5*40mm (L*W*H)
packing	10PCS/CTN

**others**

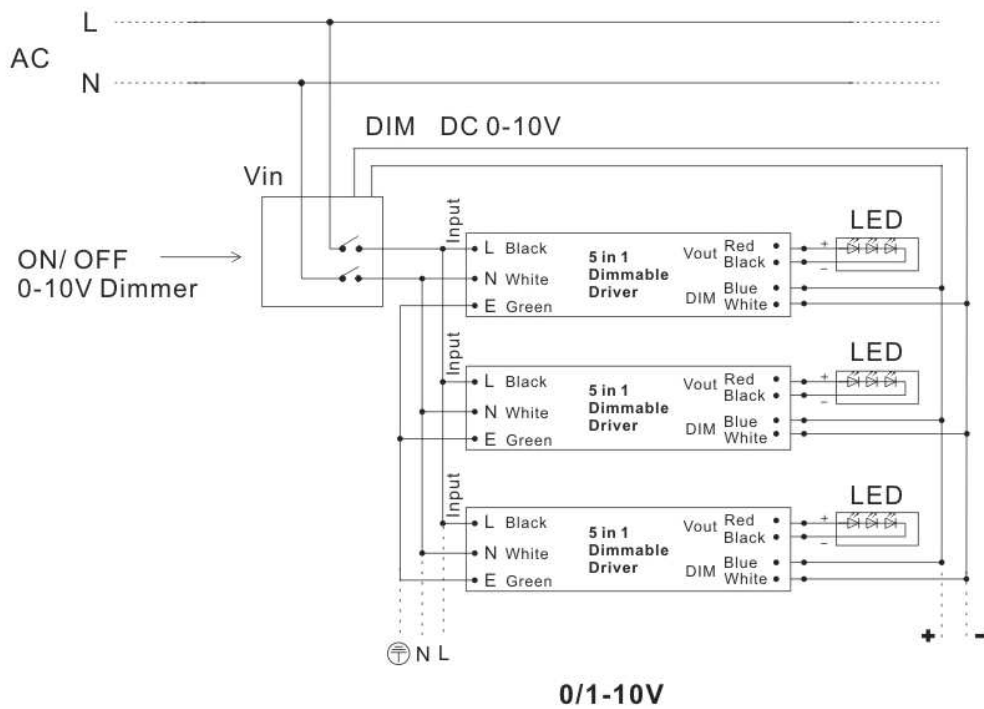
1. All parameters if NOT specially mentioned are measured at 120VAC input , rated load and 25

**Notes**

Triac/0-10V/1-10V/Potentiometer/10V PWM 5 in 1 Dimmable led driver

KVG-DWJ 30W

Triac/0-10V/1-10V/Potentiometer/10V PWM 5 in 1 Dimmable led driver  
KVG-DWJ 30W



■ **Instruction:**

- 1) This driver should be installed by qualified and professional person;
- 2) Please make sure the driver is installed with adequate ventilation around it to allow for heat dissipation.
- 3) Ensure that wiring is correct before test in order to avoid light and power supply damage;
- 4) If driver Cannot work normally, don't maintain privately; Have any question, please contact Zhuhai Shengchang.