

Pablo®

BOLA FELT

BOLA FELT

DESCRIPTION

Bola Felt's charmingly expressive felted shade hat features a soft and pliable conical structure with 2 colored layers of undulating wool inside and out. Available in 2 distinct sizes: 24" (61 cm) and 32" (81 cm), its shade rests elegantly over its opaline glass globe diffuser allowing the user to tilt the shade to multiple angles to focus light while taking on various relaxed personalities in the process. Bola Felt casts unparalleled illumination boasting up to 1550 lumens of warm and dimmable LED light that runs cool to the touch. Bola can be suspended individually, or in spectacular groupings to become the centerpieces of any space. Bola's thick felt shade also offers excellent acoustical properties making them perfectly suited for use over dining applications as well as social gathering areas where sound control is beneficial. Ideal for residential, lounge and hospitality spaces alike.

DESIGNER

Pablo Pardo + Pablo Studio 2018

MATERIALS

- Wool Felt Shade
- Opal Glass Globe
- Fabric Cord
- Aluminum Stem
- Steel Canopy

FEATURES

- Adjustable Shade
- Acoustic Dampening
- Fully dimmable

SPECIFICATIONS

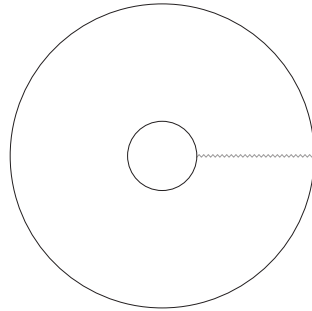
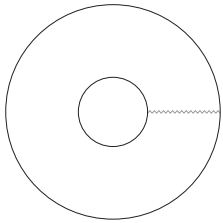
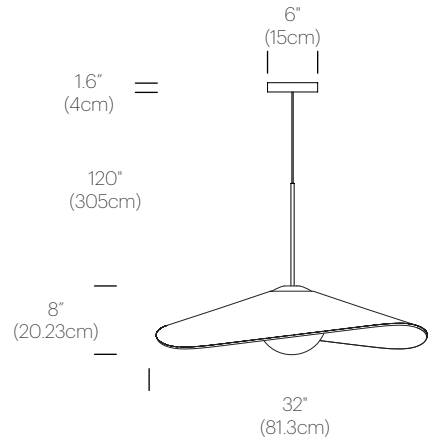
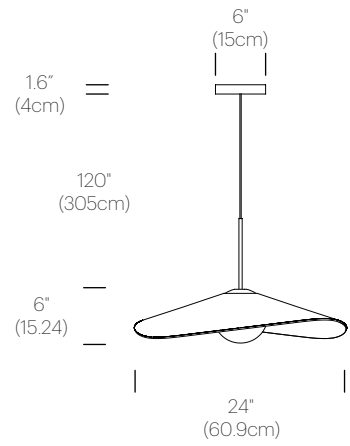
- Voltage: 120V, 240V, or 277V 50/60Hz
- Power Consumption: 15W (24"), 20W (32")
- Color Temperature: 2700K
- Luminosity: 1160 Lumens (24"), 1550 Lumens (32")
- Luminaire efficacy: 57 Lumens/Watt
- Color Rendition Index: 95 CRI
- 50K hour lifespan
- Cable Length: 10' (3m) (Field cuttable)

Pablo®



DIMENSIONS

BOLA FELT



FINISH OPTION

BOLA FELT



Pebble/
Grey

Pablo®

888 MARIN STREET SAN FRANCISCO, CA 94124
PABLODESIGNS.COM