

**Pablo®**

BOLA

HALO

**120/240V ASSEMBLY & INSTALLATION INSTRUCTIONS**

**TABLE OF CONTENTS**

pg. 2 - 4 ..... BOLA HALO PENDANT  
pg. 5 - 16 ..... BOLA HALO MULTILIGHT

Pablo®

BOLA

HALO PENDANT

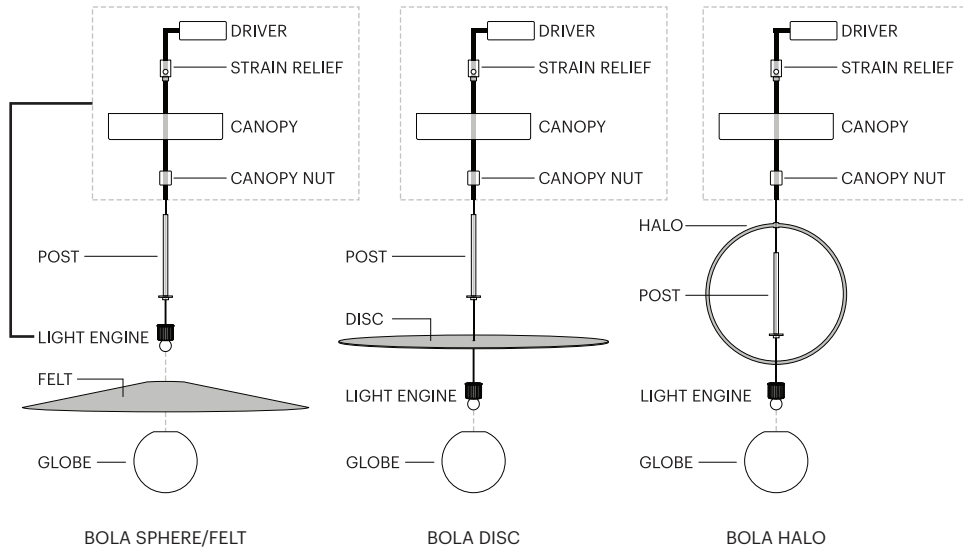
120/240V ASSEMBLY & INSTALLATION INSTRUCTIONS

INFO@PABLODESIGNS.COM  
888 MARIN STREET  
SAN FRANCISCO, CA  
94124

PABLODESIGNS.COM



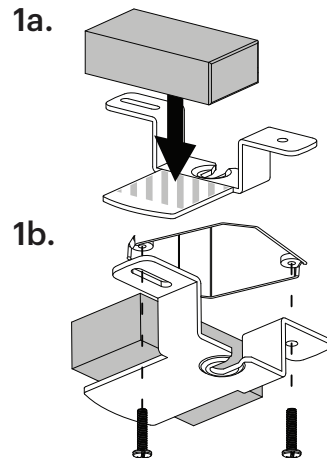
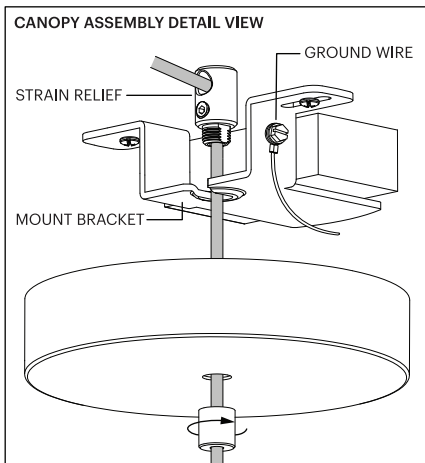
CORD PATH DIAGRAM



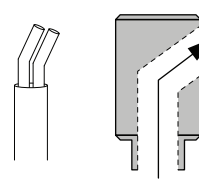
1. **a** SECURE DRIVER TO MOUNT BRACKET WITH PROVIDED TAPE. **b** SECURE MOUNT BRACKET TO JUNCTION BOX OR CEILING USING APPROPRIATE ANCHOR METHODS.

**IMPORTANT! BE SURE TO REFERENCE CORD PATH DIAGRAM BEFORE MOVING ON.**

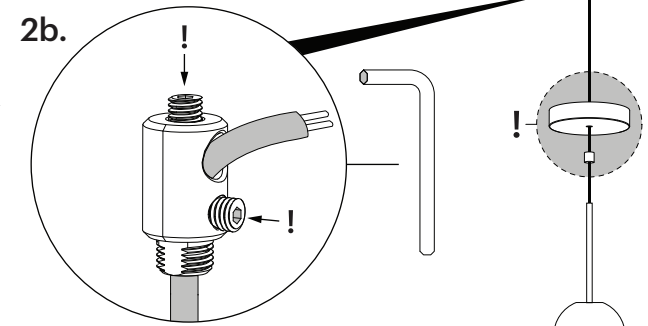
2. BE SURE TO WEAVE CORD THROUGH ALL NECESSARY PARTS LISTED ABOVE BASED ON LAMP MODEL.
  - a** BEND WIRE ENDS BEFORE PASSING THROUGH STRAIN RELIEF. **b** PASS CORD THROUGH STRAIN RELIEF AND SET LAMP HEIGHT BY FASTENING BOTH (TOP AND SIDE) SET SCREWS. (IF NECESSARY: TRIM EXCESS CORD)
3. PLACE FASTENED STRAIN RELIEF ONTO MOUNTING BRACKET. (**NOTE! STRAIN RELIEF SHOULD NEST INTO RECESS IN BRACKET SURFACE**)
4. WIRE DRIVER TO BUILDING (US : BLACK TO BLACK/WHITE TO WHITE) (EU: BLACK TO BROWN/WHITE TO BLUE)
  - NOTE: PURPLE AND GREY WIRES ARE USED ONLY IN 0-10V INSTALLATIONS.**
5. WIRE DRIVER TO LAMP (RED TO RED/BLUE TO BLACK)
6. SECURE CANOPY COVER TO BRACKET ASSEMBLY WITH CANOPY NUT. TIGHTEN UNTIL FIRMLY IN PLACE.



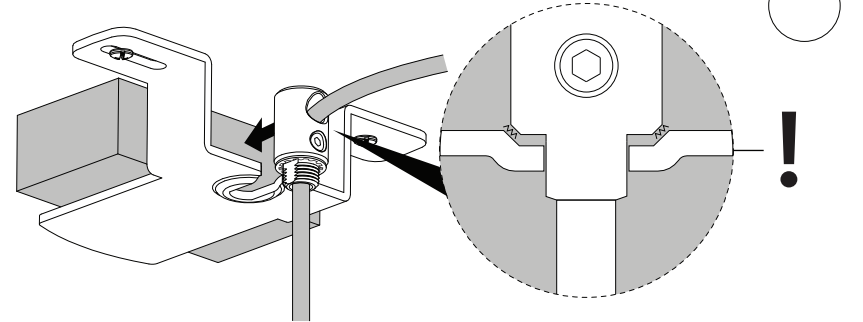
2a.



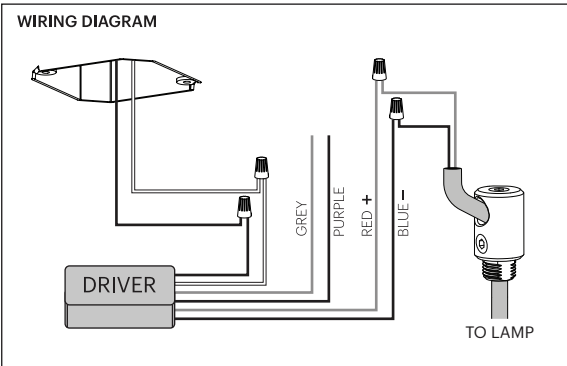
2b.



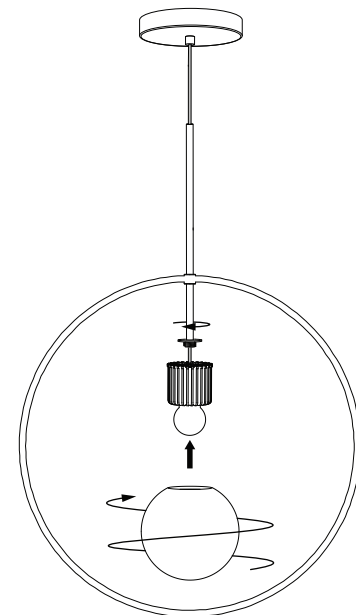
3.



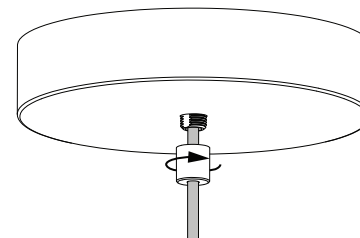
4-5.



BOLA HALO PENDANT ASSEMBLY



6.



GLOBE THREADS ONTO LIGHT ENGINE

**Pablo®**

# MULTI-LIGHT CANOPY

9" and 12"

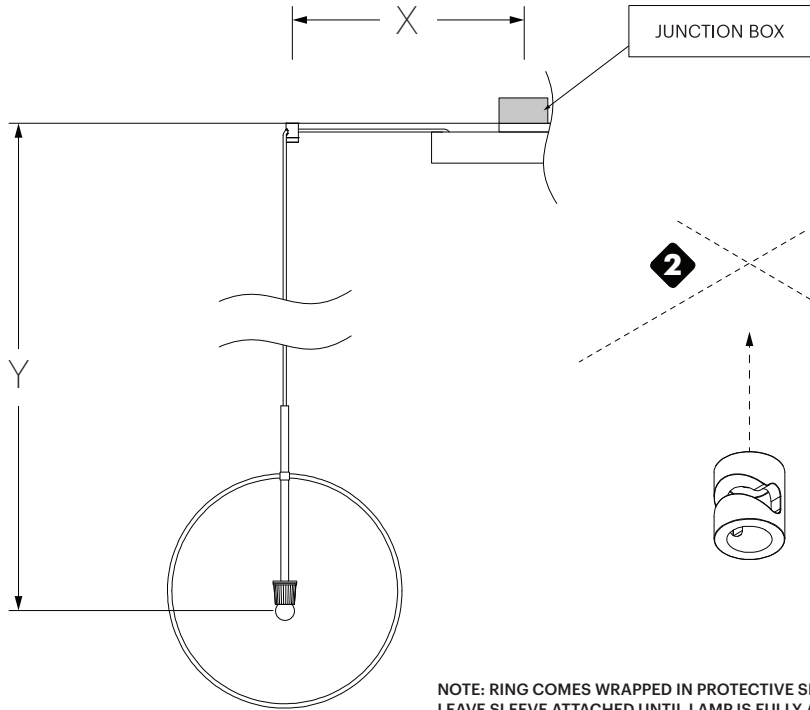
BOLA HALO PENDANT

**ASSEMBLY & INSTALLATION INSTRUCTIONS**



# MULTI-LIGHT CANOPY

- 1** LOCATE BUILDING POWER FEED/JUNCTION BOX  
 DETERMINE AND MARK SWAG LOCATIONS REFERENCING THE DIAGRAM AND PROVIDED CHART.  
 PROVIDED LAMP WIRES ARE 8.9', LAMP HANG HEIGHT REDUCES IN RELATION TO SWAG DISTANCE FROM CANOPY.

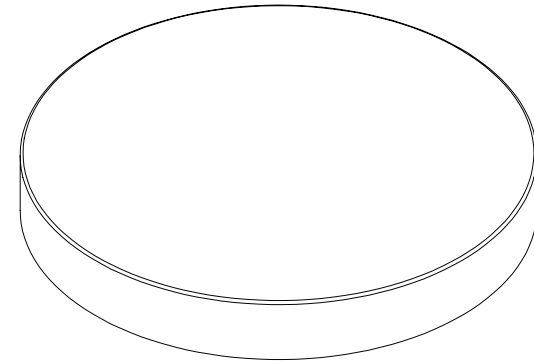


NOTE: RING COMES WRAPPED IN PROTECTIVE SLEEVE.  
 LEAVE SLEEVE ATTACHED UNTIL LAMP IS FULLY ASSEMBLED

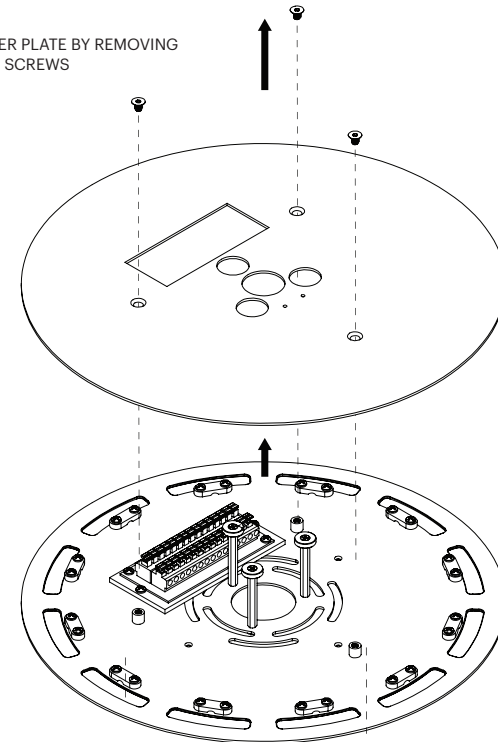
DISTANCE BETWEEN SWAGS CENTER TO CENTER (A)		BOLA HALO 12	BOLA HALO 18	BOLA HALO 22
BOLA HALO 12	7" 17.8 CM	7.5" 19.1 CM	8.5" 21.6 CM	
BOLA HALO 18	7.5" 19.1 CM	8" 20.3 CM	9" 22.9 CM	
BOLA HALO 22	8.5" 21.6 CM	9" 22.9 CM	10" 22.4 CM	

# MULTI-LIGHT CANOPY

- 3** REMOVE CANOPY COVER, SET ASIDE

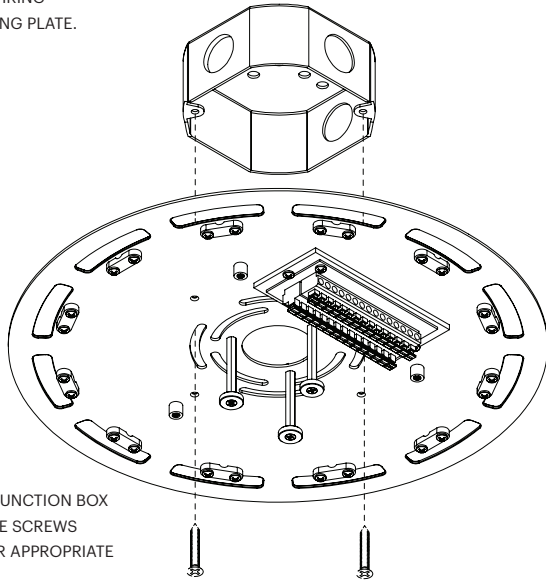


- 4** REMOVE DRIVER PLATE BY REMOVING  
 3X FLAT HEAD SCREWS



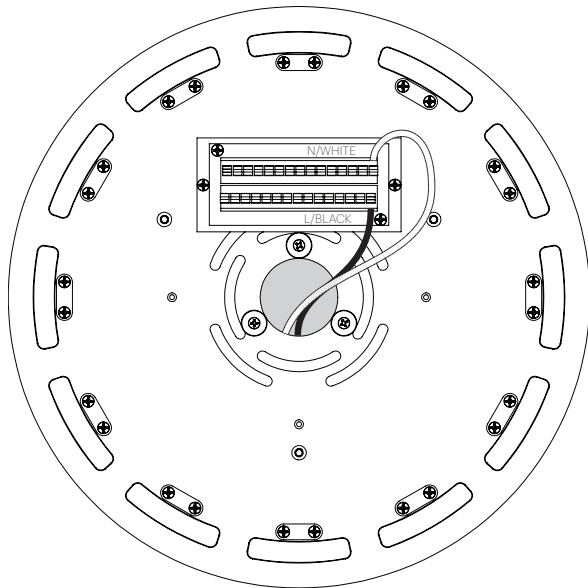
# Pablo® MULTI-LIGHT CANOPY

**5** ROUTE BUILDING WIRING THROUGH MOUNTING PLATE.



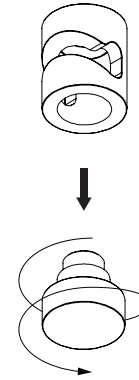
**6** ATTACH PLATE TO JUNCTION BOX WITH 8-32 MACHINE SCREWS (NOT PROVIDED) OR APPROPRIATE ANCHORS.

**7** WIRE BUILDING WIRING TO TERMINAL BLOCK.  
US: BLACK TO BLACK AND WHITE TO WHITE EU: BLUE TO WHITE AND BROWN TO BLACK.

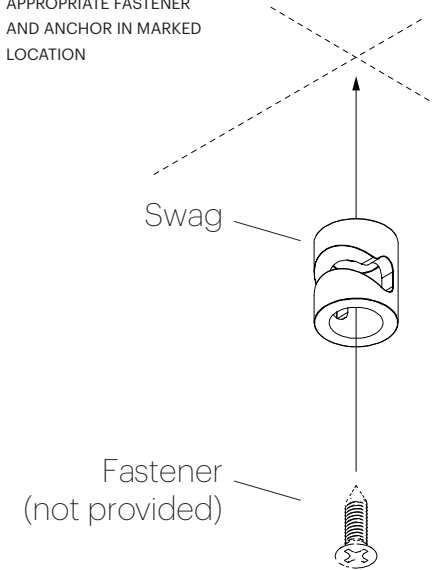


# Pablo® MULTI-LIGHT CANOPY

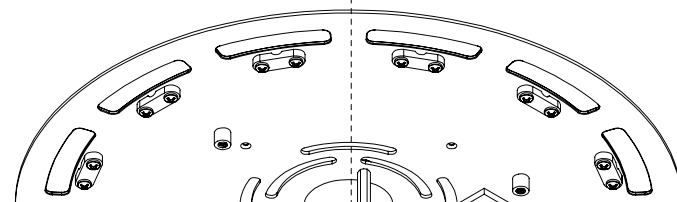
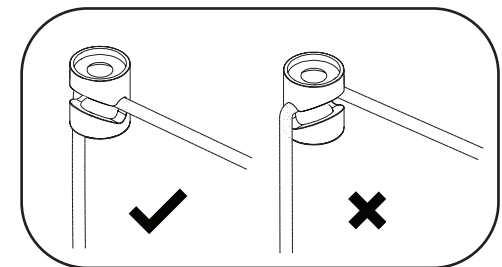
**8** REMOVE THREADED SWAG CAP



**9** MOUNT SWAG USING APPROPRIATE FASTENER AND ANCHOR IN MARKED LOCATION

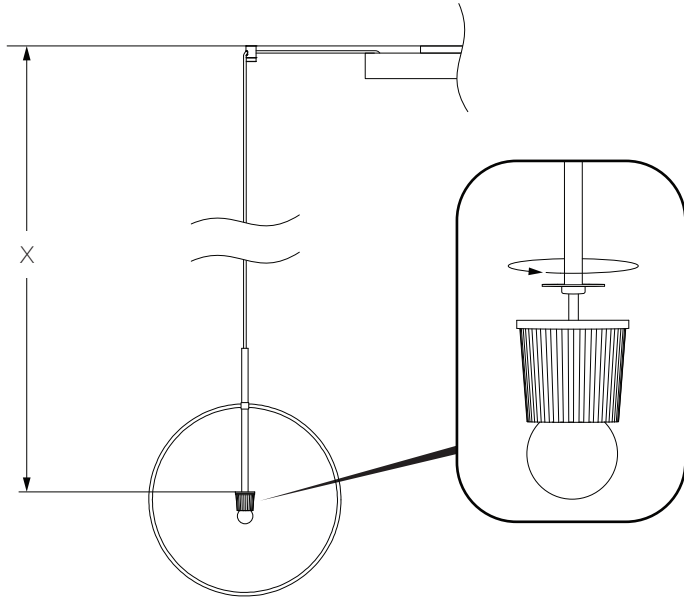


NOTE: Cable slot should face canopy center point.



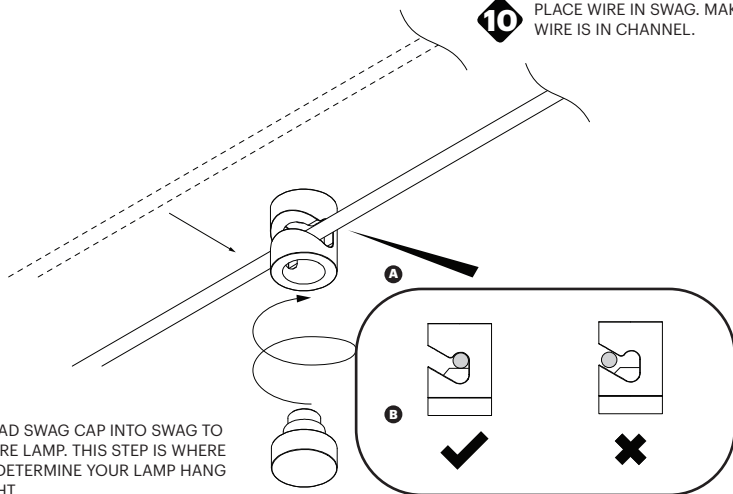
# Pablo® MULTI-LIGHT CANOPY

NOTE: RING WRAPPED IN PROTECTIVE SLEEVE.  
LEAVE SLEEVE ATTACHED UNTIL LAMP IS FULLY ASSEMBLED



USE PROVIDED GLOVES WHEN HANDLING LAMP  
TO AVOID FINGER MARKS.

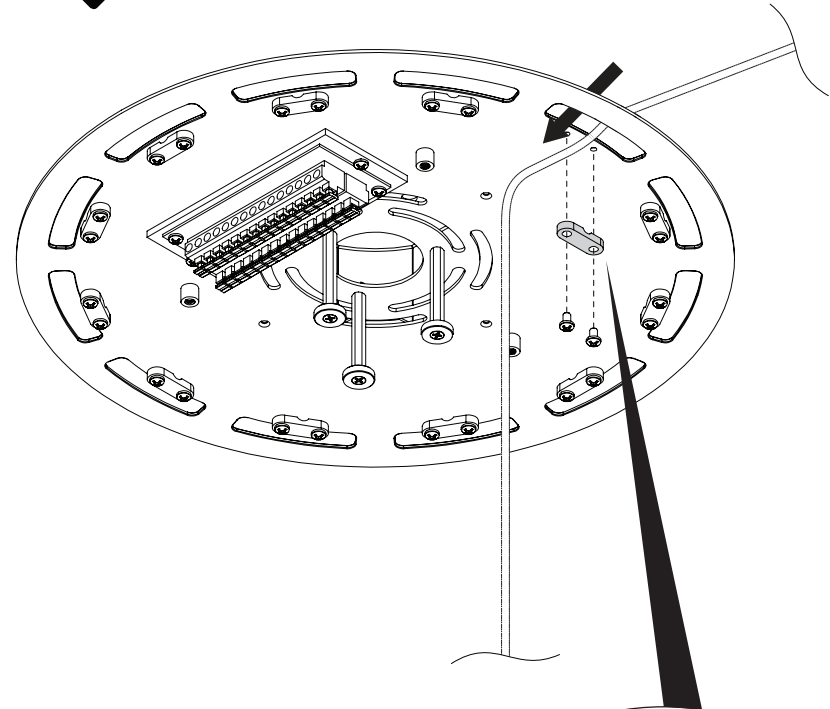
**10** PLACE WIRE IN SWAG. MAKE SURE  
WIRE IS IN CHANNEL.



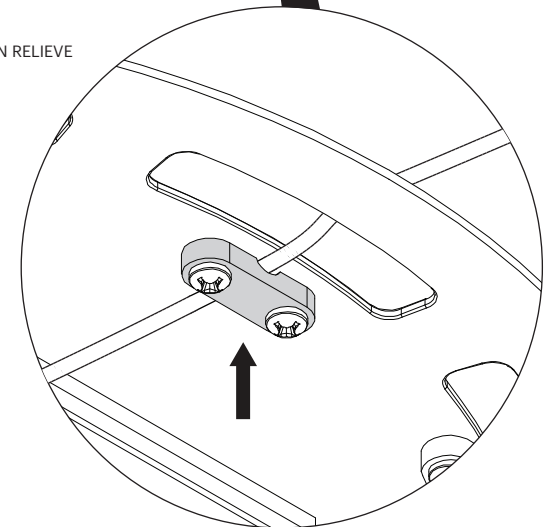
**11** THREAD SWAG CAP INTO SWAG TO  
SECURE LAMP. THIS STEP IS WHERE  
YOU DETERMINE YOUR LAMP HANG  
HEIGHT.

# Pablo® MULTI-LIGHT CANOPY

**12** THREAD WIRE THROUGH MOUNT PLATE.



**13** PULL WIRE THROUGH AND STRAIN RELIEVE

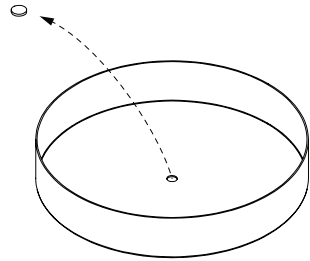


# MULTI-LIGHT CANOPY

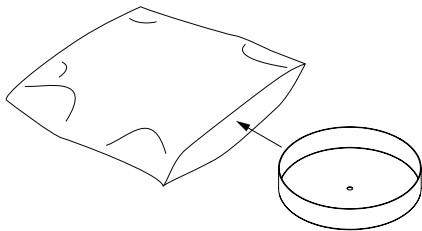
NOTE: STEP 14 APPLIES ONLY TO THE 9" CANOPY ONLY.

14

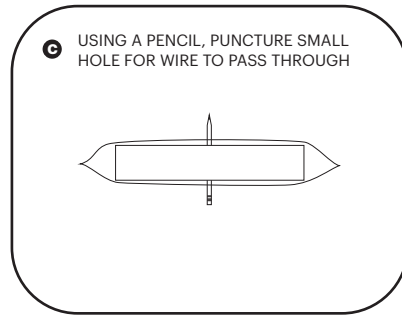
A REMOVE PLUG



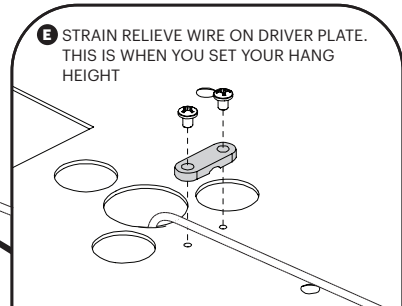
B PLACE CANOPY COVER BAG OVER CANOPY



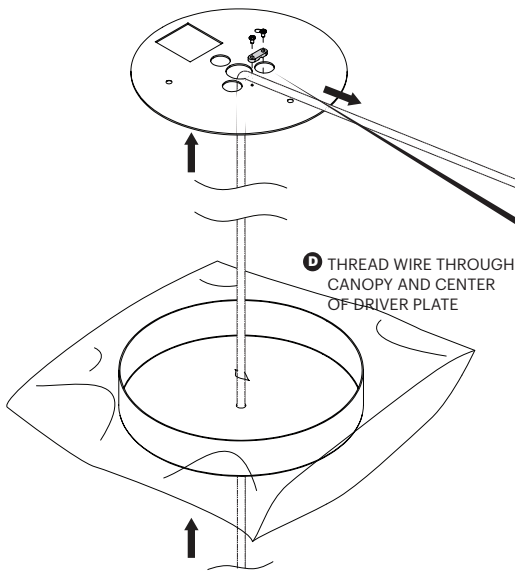
C USING A PENCIL, PUNCTURE SMALL HOLE FOR WIRE TO PASS THROUGH



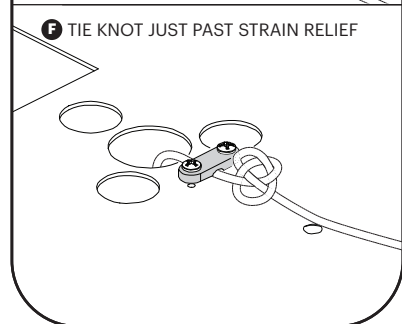
E STRAIN RELIEVE WIRE ON DRIVER PLATE. THIS IS WHEN YOU SET YOUR HANG HEIGHT



D THREAD WIRE THROUGH CANOPY AND CENTER OF DRIVER PLATE



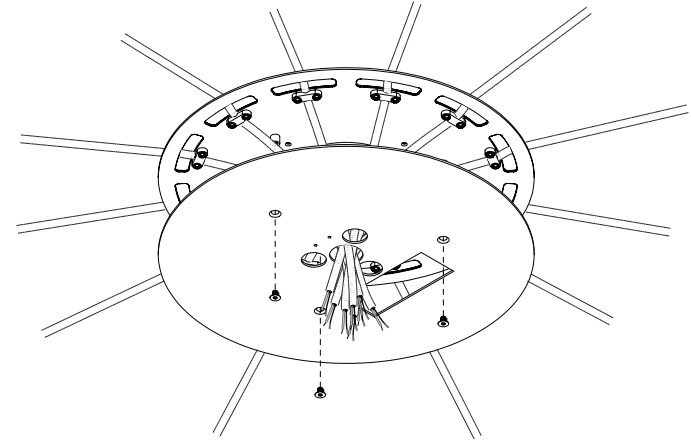
F TIE KNOT JUST PAST STRAIN RELIEF



# MULTI-LIGHT CANOPY

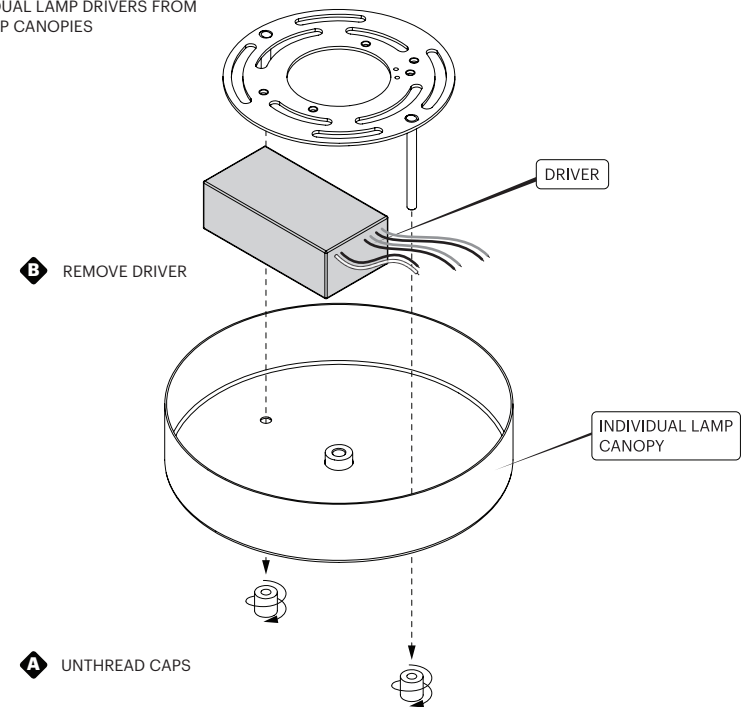
15

ATTACH DRIVER PLATE TO MOUNT PLATE WITH PROVIDED FLAT HEAD SCREWS  
THREAD WIRES THROUGH CENTER OF DRIVER PLATE



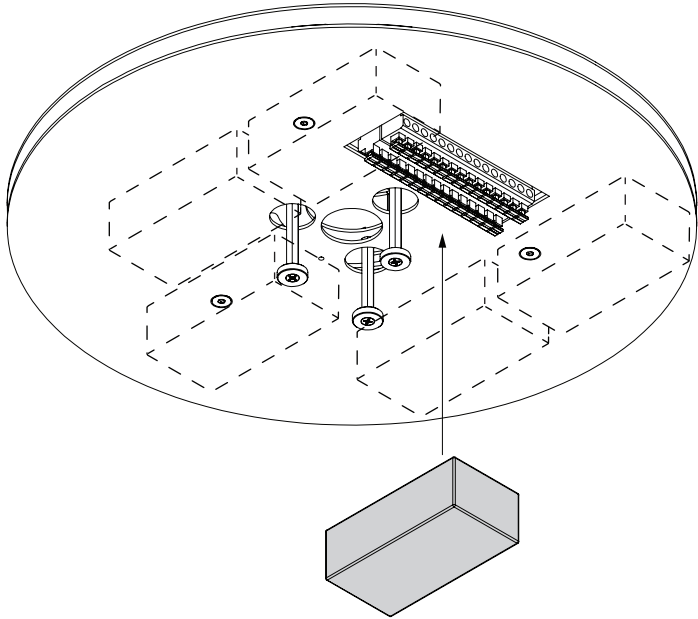
16

REMOVE INDIVIDUAL LAMP DRIVERS FROM INDIVIDUAL LAMP CANOPIES

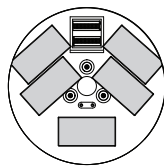




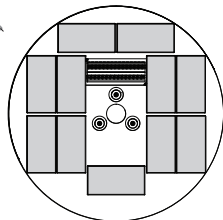
# MULTI-LIGHT CANOPY



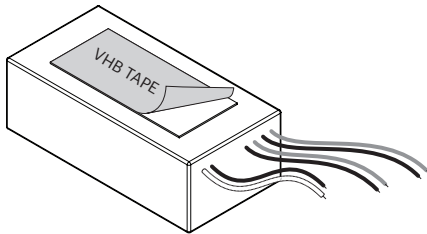
**16** PEEL LINER OFF OF VHB TAPE AND ATTACH DRIVERS TO DRIVER PLATE



9" CANOPY  
MAXIMUM  
CAPACITY

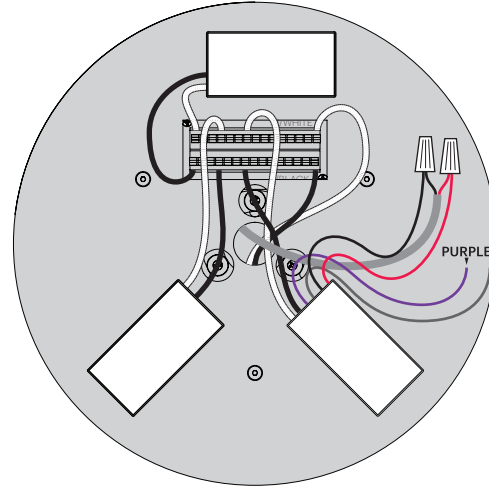
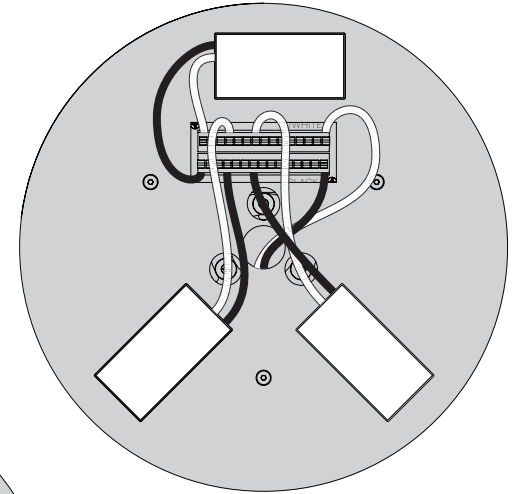


12" CANOPY  
MAXIMUM  
CAPACITY

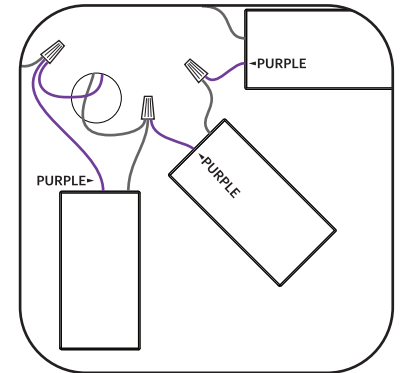


# MULTI-LIGHT CANOPY

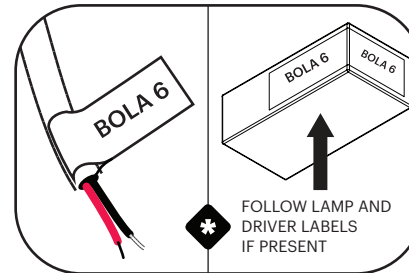
**17** CONNECT DRIVERS TO TERMINAL BLOCK.  
**US:** BLACK TO BLACK AND WHITE TO WHITE  
**EU:** BROWN TO BROWN AND BLUE TO BLUE



**18** ONE AT A TIME, WIRE LAMPS TO MATCHING DRIVERS. CUT EXCESS WIRES IF NECESSARY



**!** IF USING 0 - 10V DIMMING WIRE DIMMER IN PARALLEL



**\*** FOLLOW LAMP AND DRIVER LABELS IF PRESENT

Pablo®

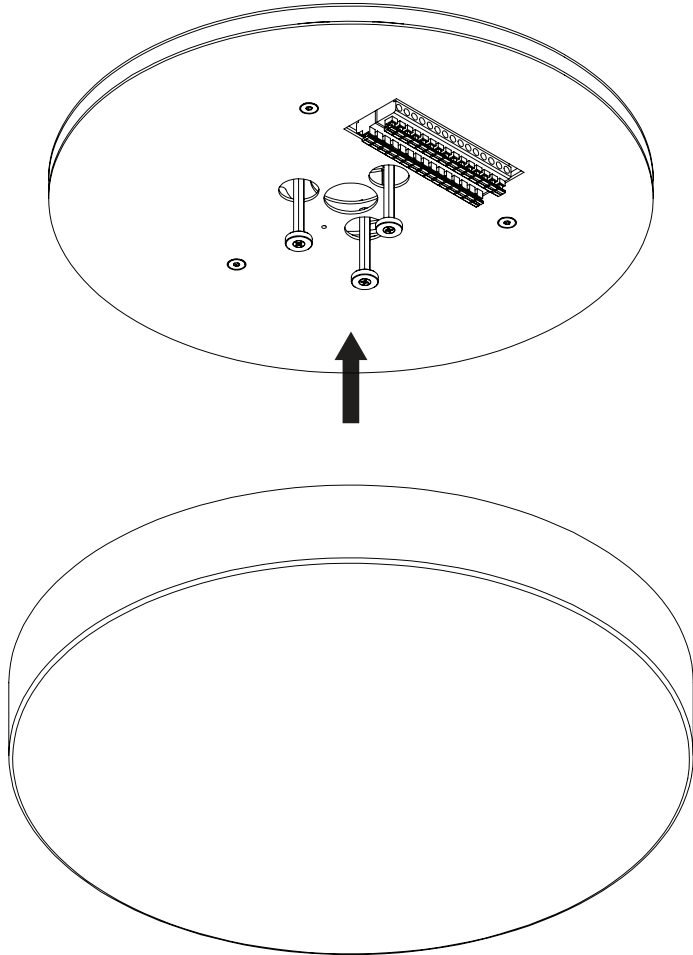
# MULTI-LIGHT CANOPY

19

ATTACH CANOPY COVER

**CARE INSTRUCTIONS**

WIPE CLEAN WITH A SOFT DAMP CLOTH  
AVOID AMMONIA BASED CLEANER.



USE PROVIDED GLOVES WHEN HANDLING LAMP  
TO AVOID FINGER MARKS.

Pablo®

# MULTI-LIGHT CANOPY



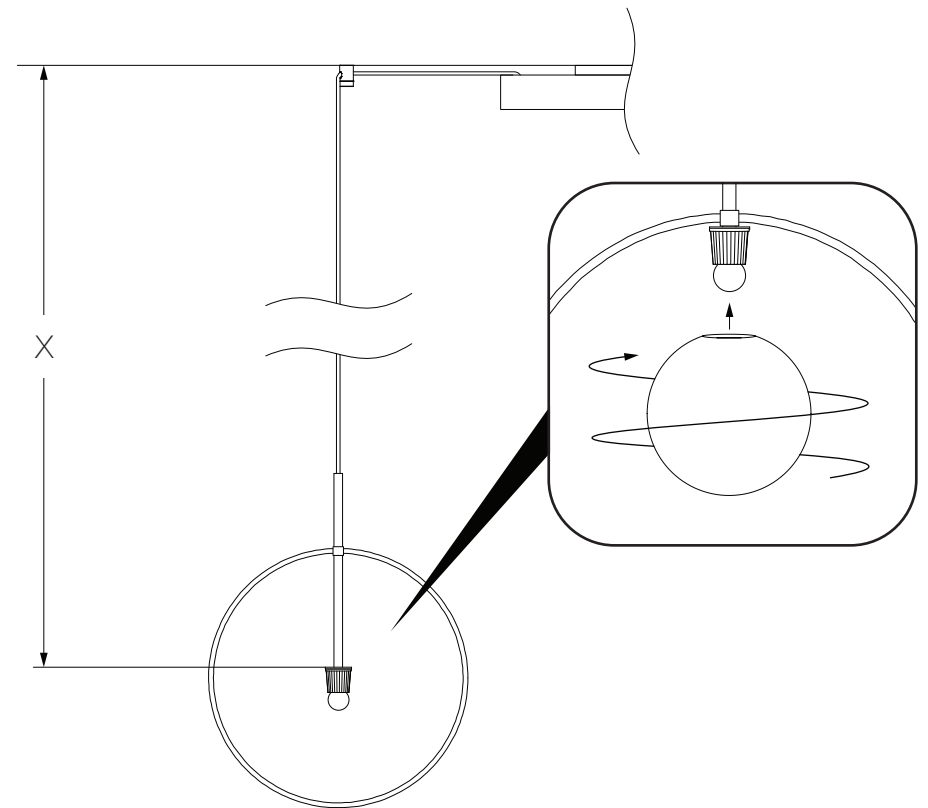
USE PROVIDED GLOVES WHEN HANDLING LAMP  
TO AVOID FINGER MARKS.

20

THREAD GLOBE ONTO HEAT SINK AND REMOVE PROTECTIVE SLEEVE FROM RING.

**CARE INSTRUCTIONS**

WIPE CLEAN WITH A SOFT DAMP CLOTH  
AVOID AMMONIA BASED CLEANER.



**Pablo**

INFO@PABLODESIGNS.COM  
INFO@PABLODESIGNS.EU

888 MARIN STREET  
SAN FRANCISCO, CA  
94124

PABLODESIGNS.COM  
PABLODESIGNS.EU