

**Pablo®**

# BOLA SPHERE

**ASSEMBLY & INSTALLATION INSTRUCTIONS**

**TABLE OF CONTENTS**

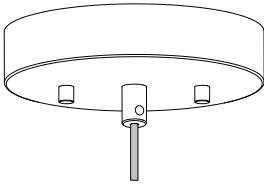
pg. 1-6.....BOLA SPHERE PENDANT  
pg. 7-11.....BOLA SPHERE CHANDELIER

Pablo®

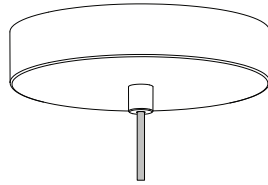
# BOLA

## SPHERE PENDANT

### 120/240V ASSEMBLY & INSTALLATION INSTRUCTIONS



**CANOPY TYPE A**



**CANOPY TYPE B**

INFO@PABLODESIGNS.COM  
888 MARIN STREET  
SAN FRANCISCO, CA  
94124

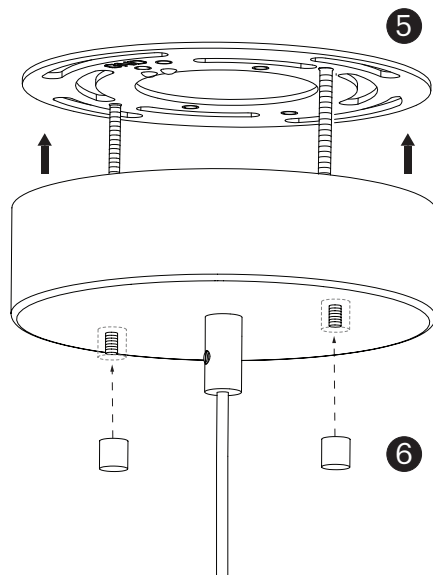
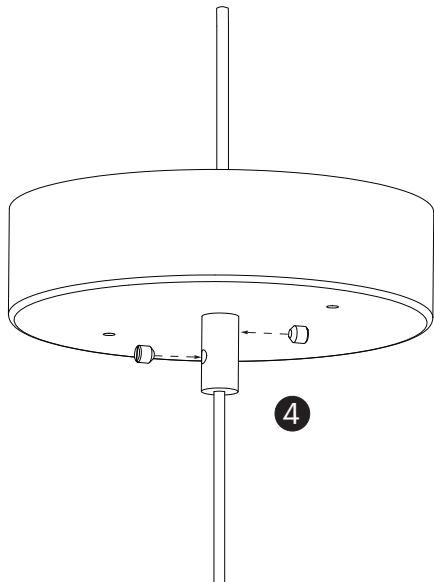
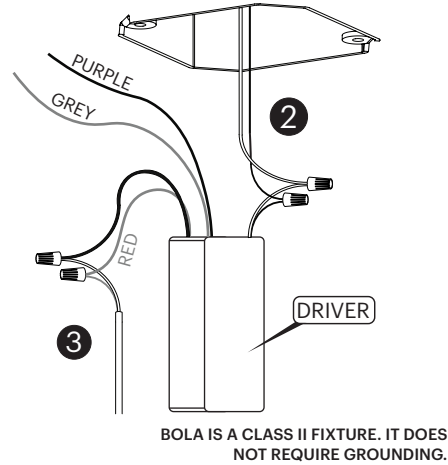
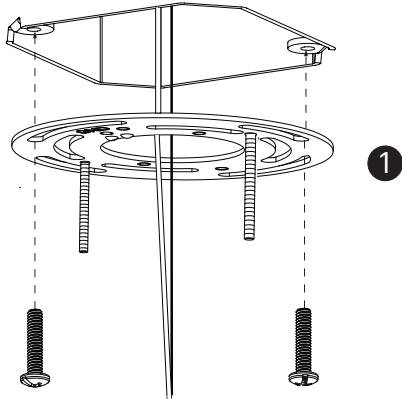
PABLODESIGNS.COM



## BOLA CANOPY

1. ATTACH MOUNTING PLATE TO JUNCTION BOX OR CEILING
2. WIRE TRANSFORMER TO BUILDING  
(US: BLACK TO BLACK AND WHITE TO WHITE)  
(EU: BLUE TO BLUE AND BROWN TO BROWN/RED)
3. CUT CORD TO DESIRED LENGTH AND PASS THROUGH CANOPY. WIRE TRANSFORMER TO LAMP  
(US: BLUE TO BRAIDED AND RED TO RED)

- (EU: BLACK TO BRAIDED AND RED TO RED)  
**NOTE: PURPLE AND GREY CORDS ARE USED ONLY WITH 0-10 V DIMMER SWITCH.**
4. TIGHTEN SET SCREWS ON CORD RELIEF
  5. BRING CANOPY UP TO MOUNTING PLATE WITH BOLTS PASSING THROUGH THE HOLES
  6. SCREW BOTH CAPS DOWN, SECURING THE CANOPY

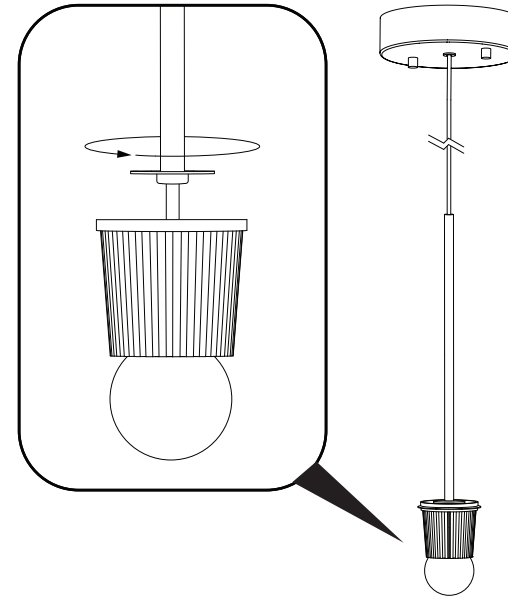
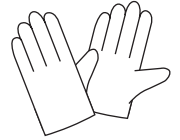


**IMPORTANT: WE RECOMMEND CEILING MOUNTING BE INSTALLED BY AN ELECTRICIAN**

**LENGTH OF CORD SUPPLIED**  
8.9FT (270 CM)

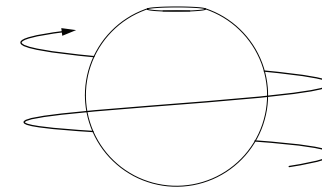
## BOLA SPHERE

**USE PROVIDED GLOVES WHEN HANDLING LAMP TO AVOID FINGER MARKS.**



1. SCREW STEM ONTO STATIONARY HEAT SINK

2. CAREFULLY SCREW GLOBE TO HEAT SINK.



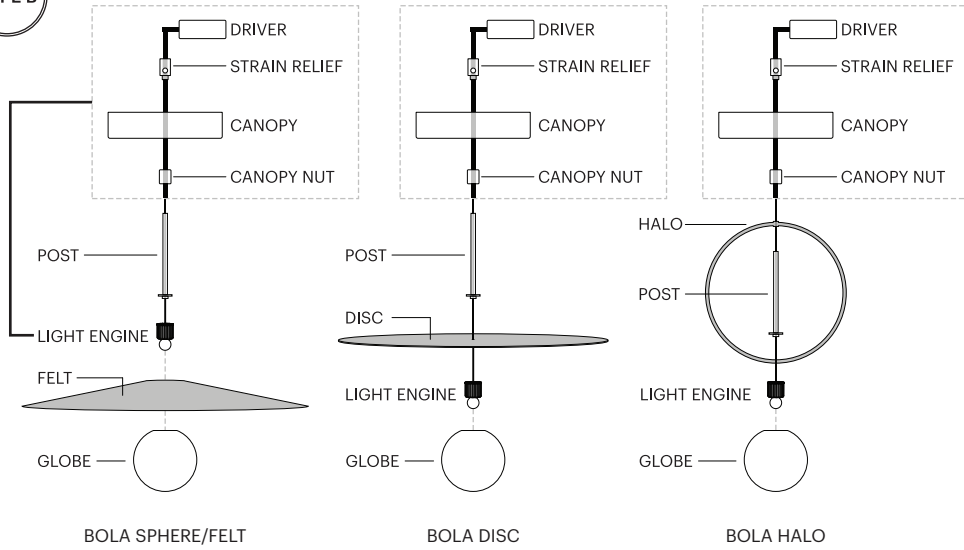
**LIGHT SOURCE**  
LED  
FULL RANGE LIGHT CONTROL VIA  
0 - 10v OR ELV DIMMER

**LIGHT SOURCE REPLACEMENT**  
CONTACT MANUFACTURER FOR REPLACEMENT

**LENGTH OF CORD SUPPLIED**  
8.9FT (270CM)

**CARE**  
WIPE WITH A CLEAN, DAMP CLOTH. AVOID  
AMMONIA BASED CLEANERS.

CORD PATH DIAGRAM

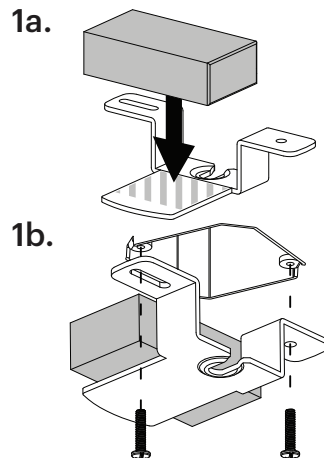
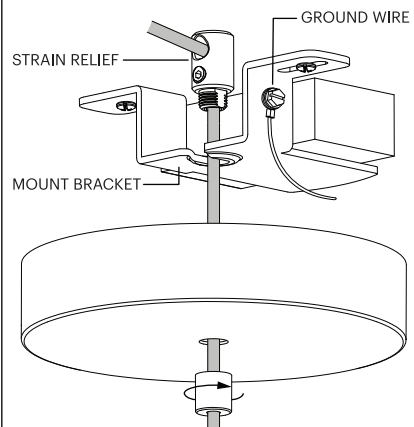


1. **a** SECURE DRIVER TO MOUNT BRACKET WITH PROVIDED TAPE. **b** SECURE MOUNT BRACKET TO JUNCTION BOX OR CEILING USING APPROPRIATE ANCHOR METHODS.

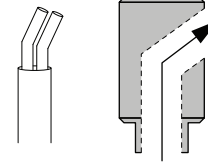
**IMPORTANT! BE SURE TO REFERENCE CORD PATH DIAGRAM BEFORE MOVING ON.**

2. BE SURE TO WEAVE CORD THROUGH ALL NECESSARY PARTS LISTED ABOVE BASED ON LAMP MODEL.
  - a** BEND WIRE ENDS BEFORE PASSING THROUGH STRAIN RELIEF. **b** PASS CORD THROUGH STRAIN RELIEF AND SET LAMP HEIGHT BY FASTENING BOTH (TOP AND SIDE) SET SCREWS. (IF NECESSARY: TRIM EXCESS CORD)
3. PLACE FASTENED STRAIN RELIEF ONTO MOUNTING BRACKET. (**NOTE! STRAIN RELIEF SHOULD NEST INTO RECESS IN BRACKET SURFACE**)
4. WIRE DRIVER TO BUILDING (US : BLACK TO BLACK/WHITE TO WHITE) (EU: BLACK TO BROWN/WHITE TO BLUE)
  - NOTE: PURPLE AND GREY WIRES ARE USED ONLY IN 0-10V INSTALLATIONS.**
5. WIRE DRIVER TO LAMP (RED TO RED/BLUE TO BLACK)
6. SECURE CANOPY COVER TO BRACKET ASSEMBLY WITH CANOPY NUT. TIGHTEN UNTIL FIRMLY IN PLACE.

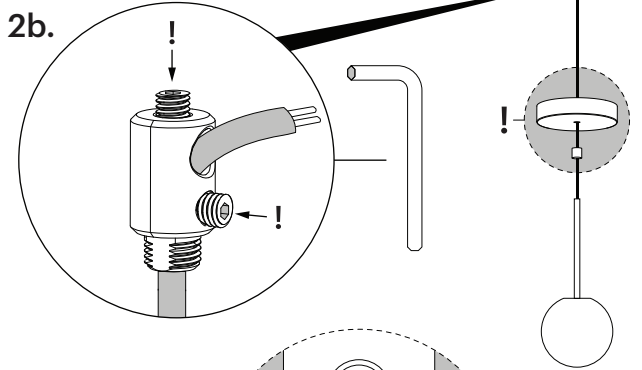
CANOPY ASSEMBLY DETAIL VIEW



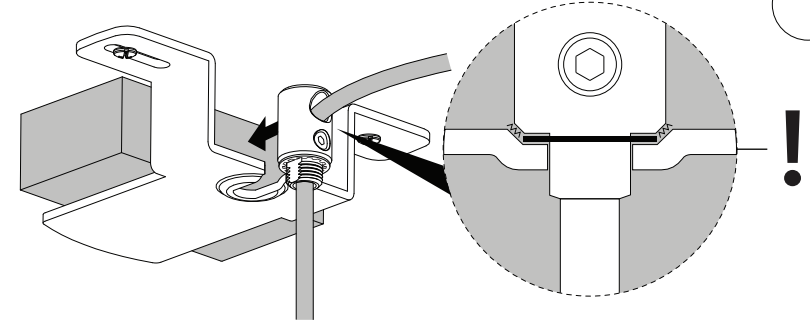
2a.



2b.

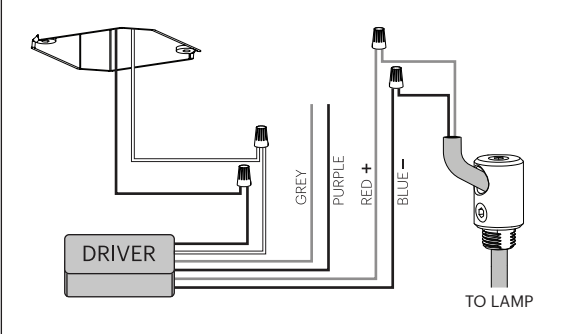


3.

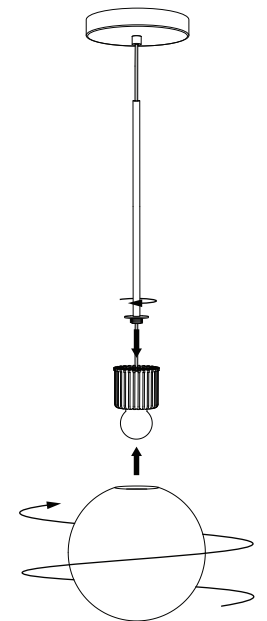


4-5.

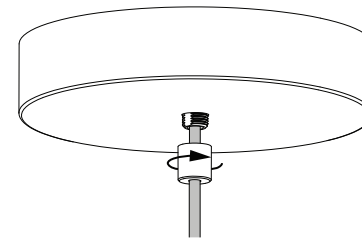
WIRING DIAGRAM



BOLA SPHERE PENDANT ASSEMBLY



6.



GLOBE THREADS ONTO LIGHT ENGINE

# Pablo®

## LIGHT SOURCE

LED  
FULL RANGE LIGHT CONTROL VIA  
0 - 10v OR ELV DIMMER

## LIGHT SOURCE REPLACEMENT

CONTACT MANUFACTURER FOR REPLACEMENT

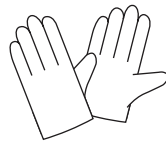
## LENGTH OF CORD SUPPLIED

8.9FT (270CM)

## CARE

WIPE WITH A CLEAN, DAMP CLOTH, AVOID  
AMMONIA-BASED CLEANERS.

**IMPORTANT: WE RECOMMEND CEILING MOUNTING  
BE INSTALLED BY AN ELECTRICIAN**



**USE PROVIDED GLOVES WHEN HANDLING LAMP  
TO AVOID FINGER MARKS.**

**Pablo®**

# BOLA SPHERE CHANDELIER

**120V & 240V ASSEMBLY & INSTALLATION INSTRUCTIONS**

INFO@PABLODESIGNS.COM  
888 MARIN STREET  
SAN FRANCISCO, CA  
94124

PABLODESIGNS.COM

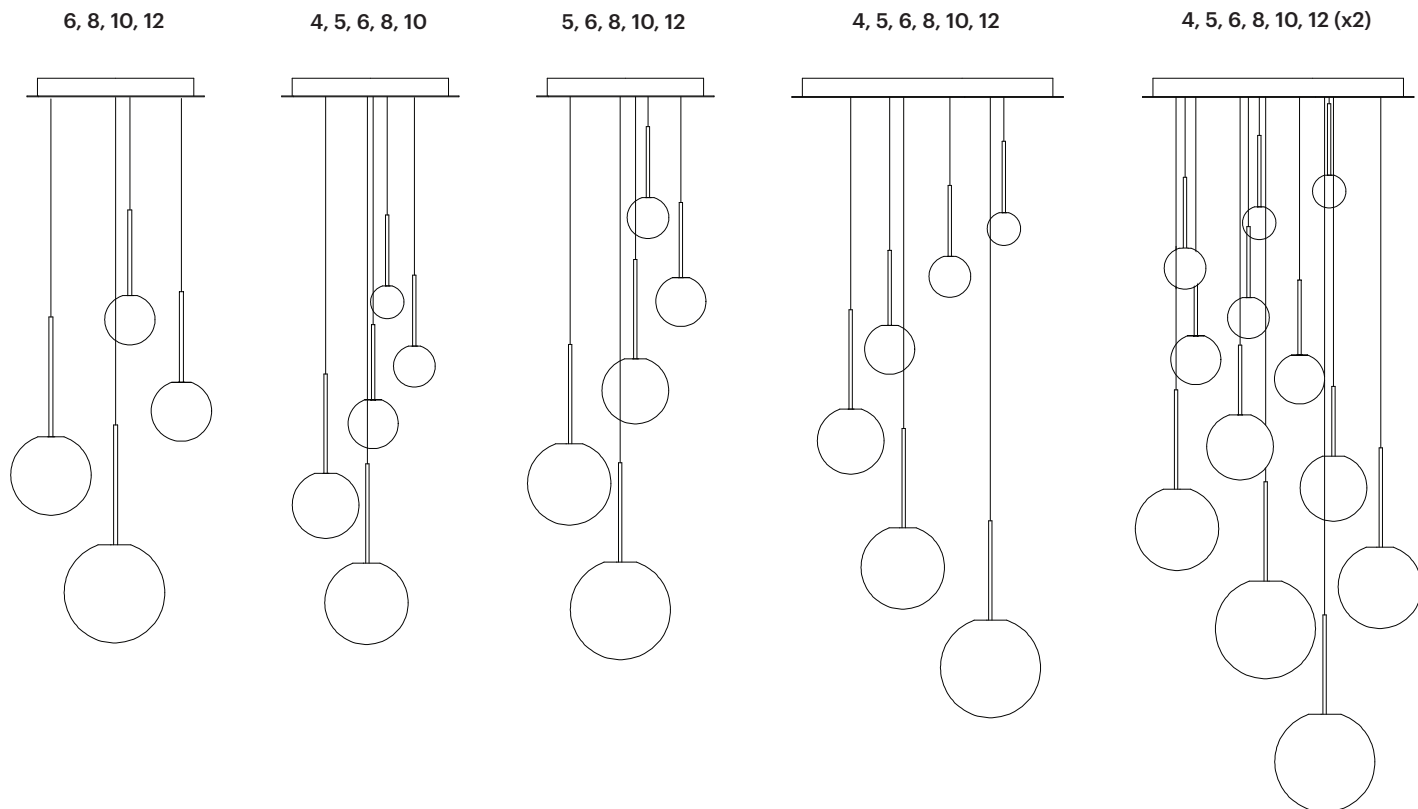
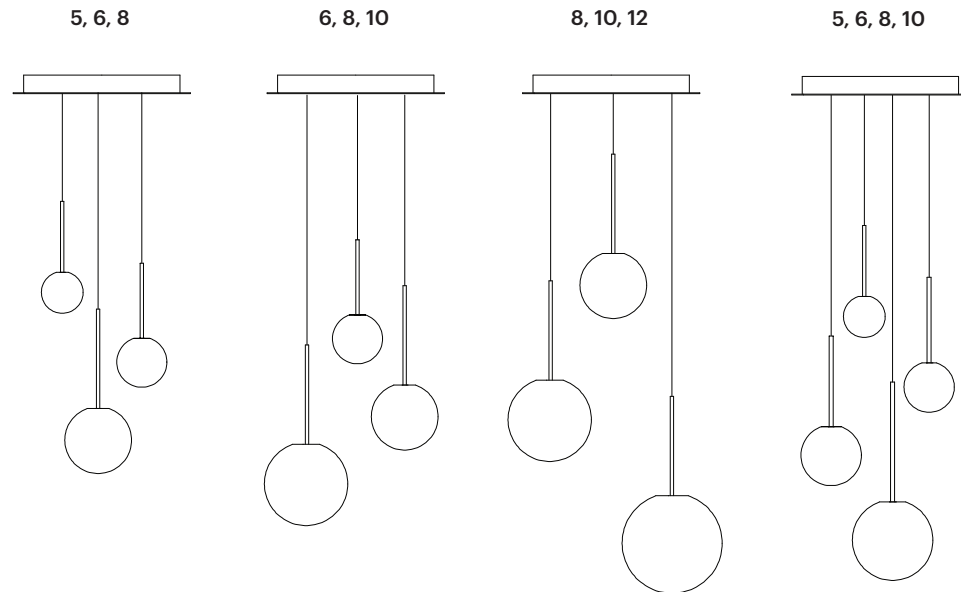


# BOLA SPHERE CHANDELIER

**IMPORTANT: WE RECOMMEND FIXTURE BE INSTALLED BY AN ELECTRICIAN. BOLA SPHERE CHANDELIER MUST BE SECURELY ANCHORED TO 150LBS RATED JUNCTION BOX OR MOUNTED TO CEILING STUDS.**

**SUGGESTED HANGING CONFIGURATIONS**

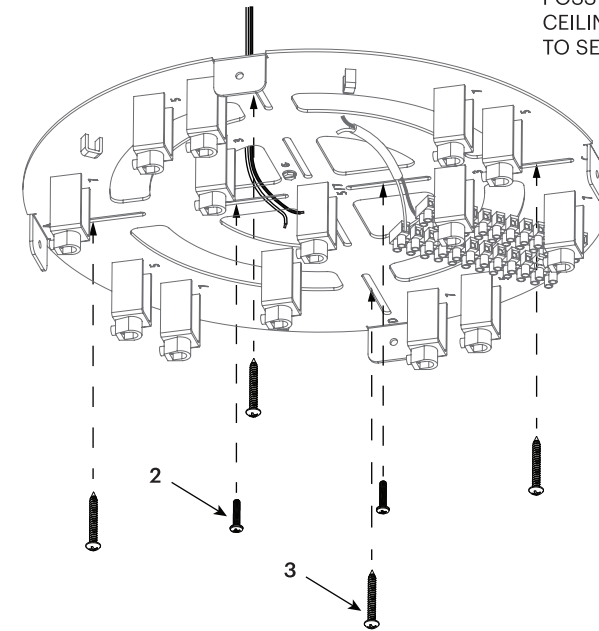
1. DETERMINE APPROPRIATE HEIGHT ABOVE SURFACE FOR LOWEST LAMP
2. SPACE EACH LAMP SUCH THAT THEY WILL NOT TOUCH EACH OTHER
3. MOVE UPWARDS IN A SPIRAL PATTERN



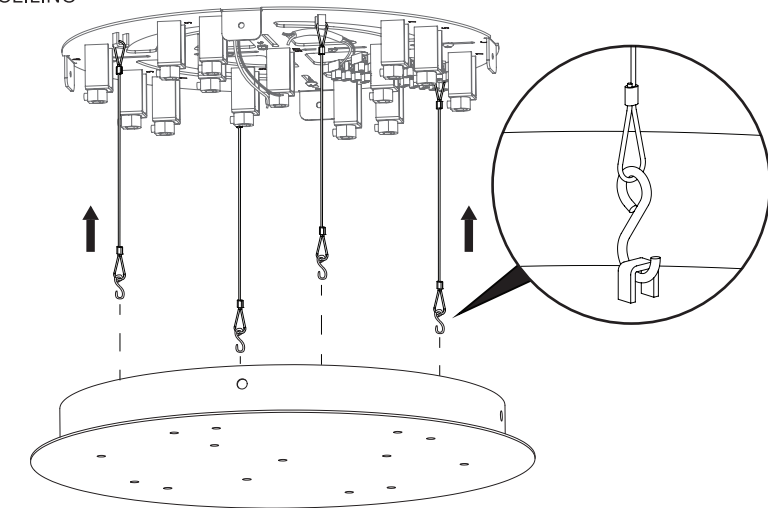
NOTE: INSTALLATION REQUIRES STANDARD PHILLIPS HEAD SCREW DRIVER AND #2 FLAT HEAD SCREW DRIVER

# BOLA SPHERE CHANDELIER

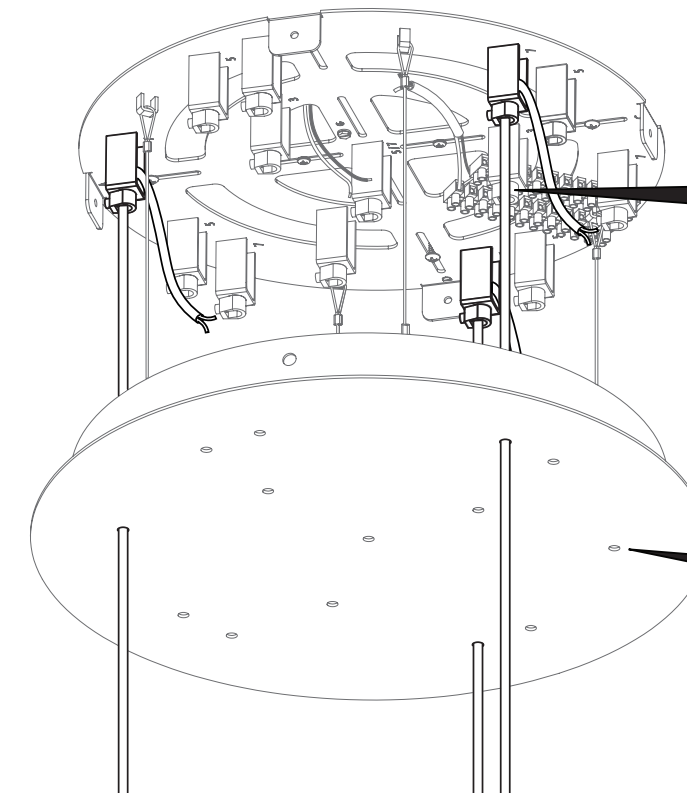
- 1 ROUTE BUILDING WIRING THROUGH MOUNTING PLATE
- 2 ATTACH PLATE TO JUNCTION BOX WITH PROVIDED JUNCTION BOX MACHINE SCREWS
- 3 ANCHOR PLATE INTO CEILING STUDS WITH PROVIDED WOOD SCREWS IF POSSIBLE. IF NOT, USE PROVIDED CEILING ANCHORS AND WOOD SCREWS TO SECURE PLATE TO CEILING
- 4 ALIGN HOLES ON MOUNTING PLATE WITH CORRESPONDING HOLES ON CANOPY COVER
- 5 ATTACH CABLE HOOKS TO CABLE MOUNTS ON CANOPY COVER TO SUPPORT CANOPY COVER DURING INSTALLATION. CABLE HOOKS MUST REMAIN ATTACHED TO CANOPY COVER TO ENSURE SAFE INSTALLATION



- 2 ATTACH PLATE TO JUNCTION BOX WITH PROVIDED JUNCTION BOX MACHINE SCREWS



- 5 ATTACH CABLE HOOKS TO CABLE MOUNTS ON CANOPY COVER TO SUPPORT CANOPY COVER DURING INSTALLATION. CABLE HOOKS MUST REMAIN ATTACHED TO CANOPY COVER TO ENSURE SAFE INSTALLATION



- 6 USING THE SUGGESTED HANGING CONFIGURATION AS A GUIDE, FEED PENDANT CORDS THROUGH ASSIGNED HOLES IN CANOPY COVER AND STRAIN RELIEFS

- 7 PULL PENDANTS TO DESIRED HEIGHT REFERENCING SUGGESTED HANGING CONFIGURATIONS. USE #2 FLAT HEAD SCREW DRIVER TO SET STRAIN RELIEFS

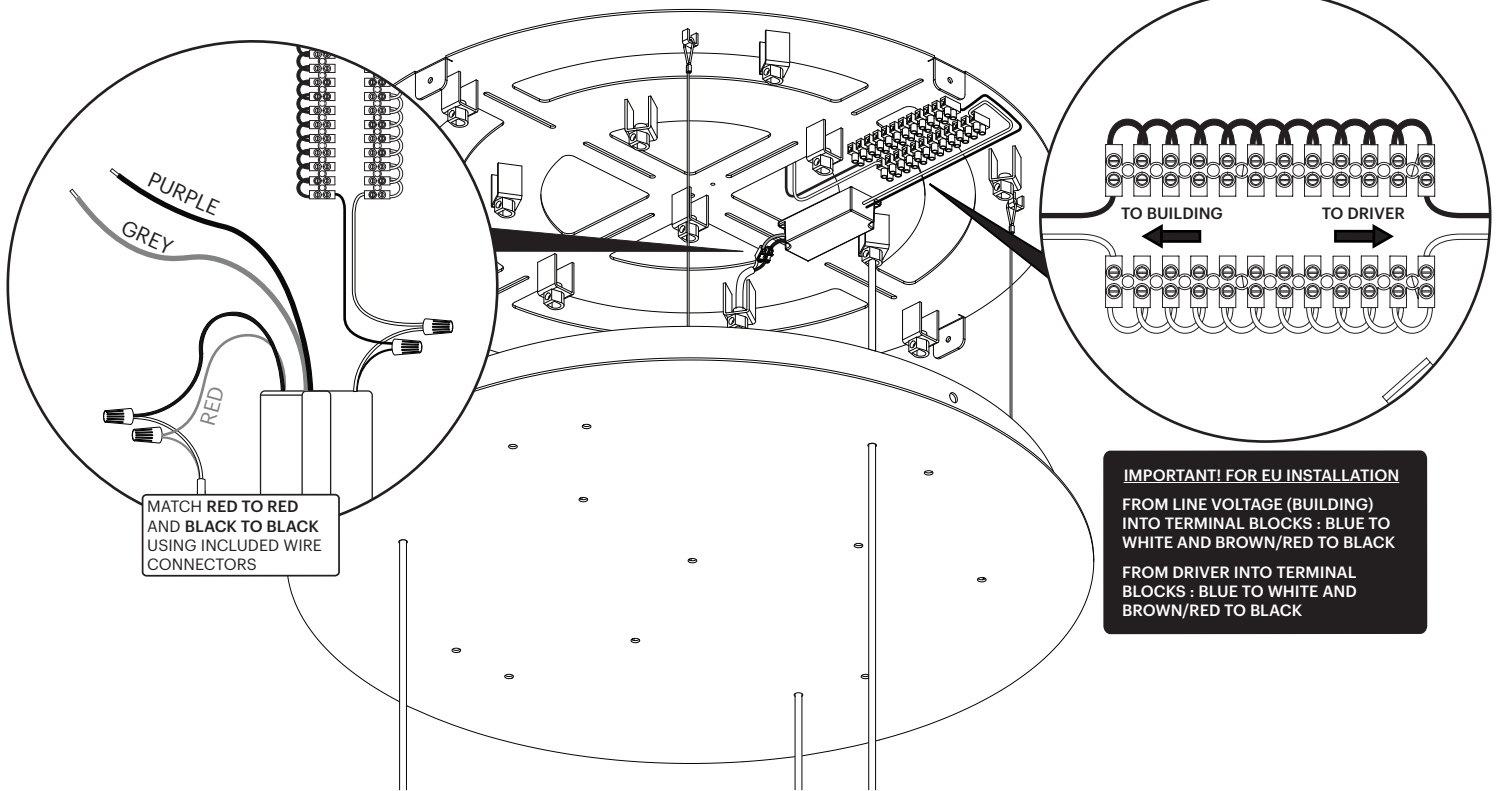
- 8 PRESS RUBBER PLUGS INTO UNUSED HOLES FROM INSIDE OF CANOPY COVER

NOTE: INSTALLATION SHOWN IS FOR BOLA SPHERE CHANDELIER 3. FOR BOLA SPHERE CHANDELIER 5 AND 7, FOLLOW THE SAME WIRING PROCESS USING THE HOLE PLACEMENT OUTLINED IN SUGGESTED HANGING CONFIGURATIONS.

# BOLA SPHERE CHANDELIER

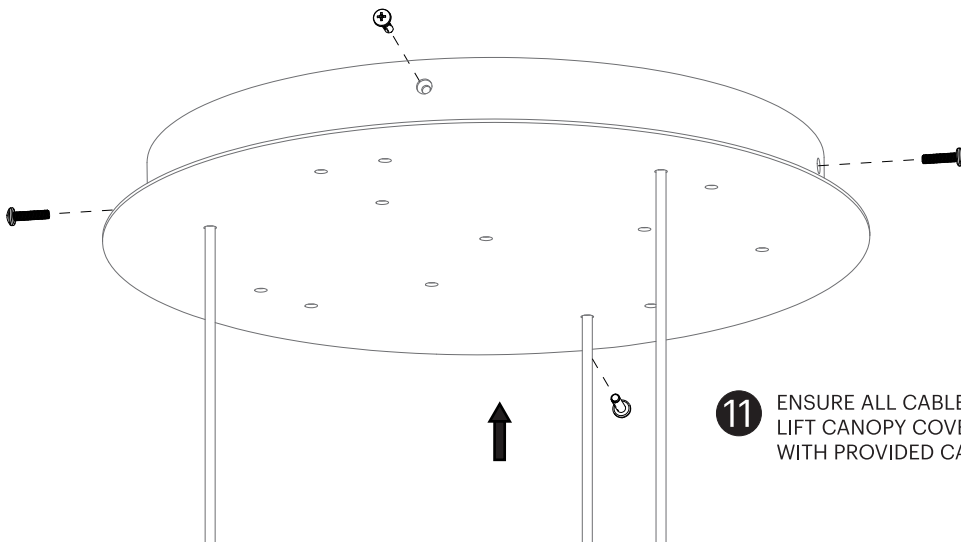
**9** **FIXTURE WIRING**  
 CONNECT FIXTURE WIRING TO 2 POLE CONNECTOR ON DC OUTPUT SIDE OF TRANSFORMER AS SHOWN.  
**IMPORTANT! ONE TRANSFORMER PER LAMP.**

**10** **BUILDING WIRING**  
 CONNECT AC INPUT SIDE OF TRANSFORMER TO TERMINAL BLOCKS AS SHOWN AND SECURE WITH A #2 FLAT HEAD SCREWDRIVER



**IMPORTANT! FOR EU INSTALLATION**  
 FROM LINE VOLTAGE (BUILDING) INTO TERMINAL BLOCKS : BLUE TO WHITE AND BROWN/RED TO BLACK  
 FROM DRIVER INTO TERMINAL BLOCKS : BLUE TO WHITE AND BROWN/RED TO BLACK

**NOTE: PURPLE AND GREY CORDS ARE USED ONLY WITH 0-10 V DIMMER SWITCH AND SHOULD NEVER BE ATTACHED TO THE TERMINAL BLOCK. CONTACT PABLO IF FURTHER INSTRUCTION IS REQUIRED.**



**11** ENSURE ALL CABLES AND CORDS ARE TUCKED WITHIN CANOPY COVER. LIFT CANOPY COVER UP TO CEILING AND SECURE TO MOUNTING PLATE WITH PROVIDED CANOPY COVER MACHINE SCREWS



**Pablo®**

INFO@PABLODESIGNS.COM  
INFO@PABLODESIGNS.EU

888 MARIN STREET  
SAN FRANCISCO, CA  
94124

PABLODESIGNS.COM  
PABLODESIGNS.EU