

CIELO XL
FAMILY

ASSEMBLY & INSTALLATION INSTRUCTIONS

TABLE OF CONTENTS

pg. 2-4.....CIELO XL PENDANT
pg. 5-20.....CIELO XL MULTI-LIGHT

Pablo®

CIELO XL

ASSEMBLY & INSTALLATION INSTRUCTIONS

INFO@PABLODESIGNS.COM
888 MARIN STREET
SAN FRANCISCO, CA
94124

PABLODESIGNS.COM

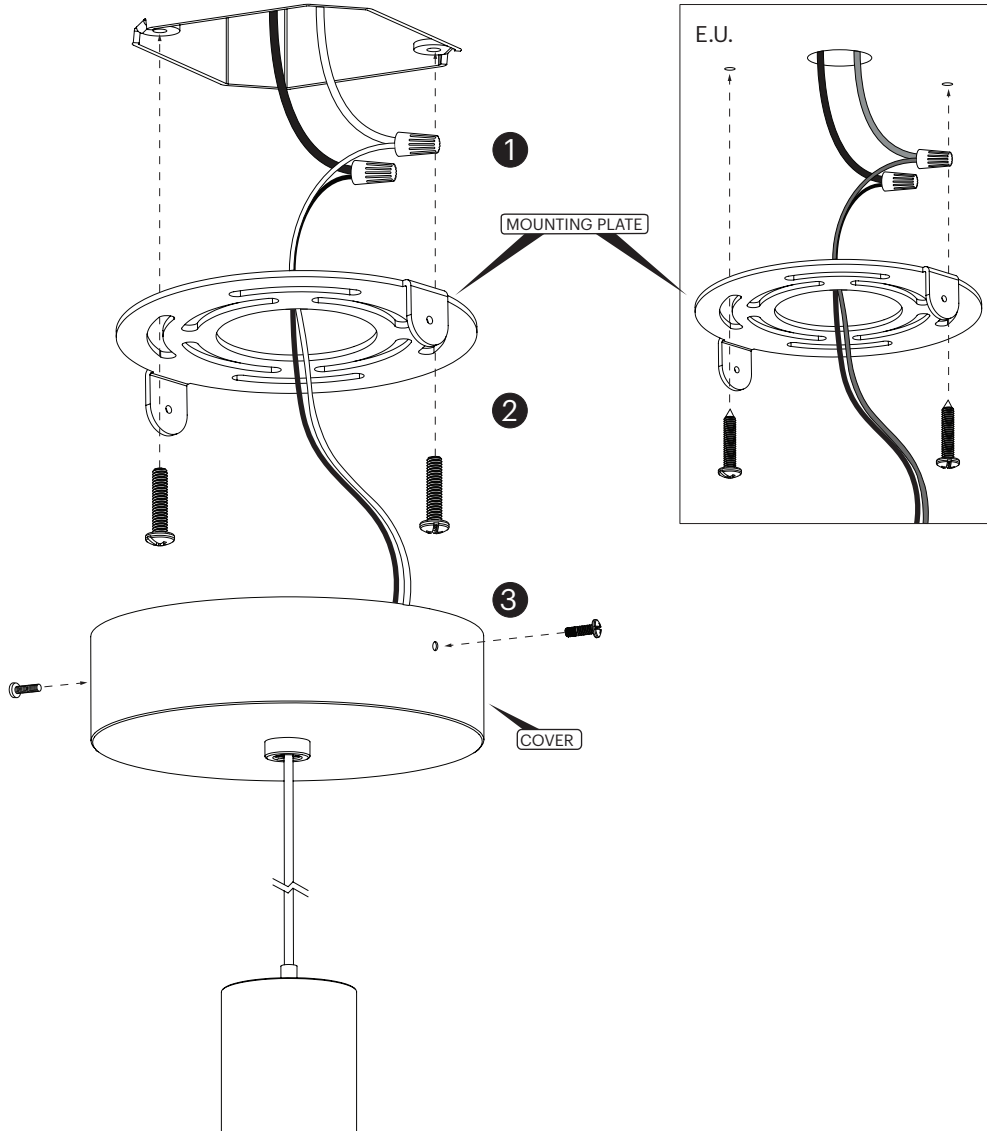


CIELO XL

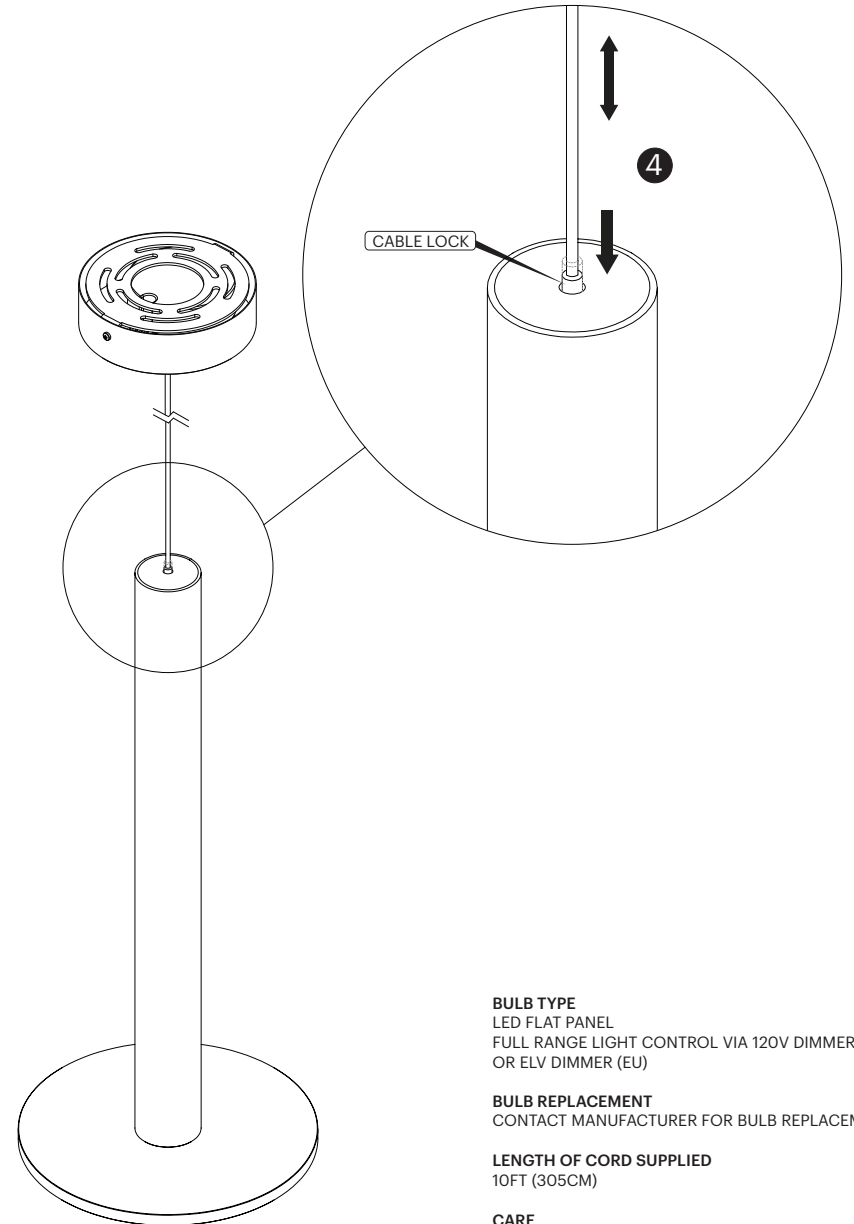
1. WIRE LAMP TO JUNCTION BOX/ BUILDING
US: BLACK TO BLACK AND WHITE TO WHITE
EU: BLUE TO BLACK AND BROWN TO RED
2. ATTACH MOUNTING PLATE TO JUNCTION BOX
3. SCREW CANOPY TO MOUNTING PLATE
4. TO ADJUST LAMP HEIGHT: PUSH DOWN ON SILVER CABLE LOCK AND PUSH OR PULL CORD INTO LAMP. EXTRA CABLE COILS INSIDE OF LAMP

NOTE: CORD DOES NOT REQUIRE FIELD CUTTING. CANOPY STRAIN RELIEF DOES NOT NEED ADJUSTMENT.

IMPORTANT: WE RECOMMEND CEILING MOUNTING BE INSTALLED BY AN ELECTRICIAN



CIELO XL



BULB TYPE
LED FLAT PANEL
FULL RANGE LIGHT CONTROL VIA 120V DIMMER (US)
OR ELV DIMMER (EU)

BULB REPLACEMENT
CONTACT MANUFACTURER FOR BULB REPLACEMENT

LENGTH OF CORD SUPPLIED
10FT (305CM)

CARE
WHIPE WITH A CLEAN, DAMP CLOTH.

Pablo®

MULTI-LIGHT CANOPY

9" and 12"

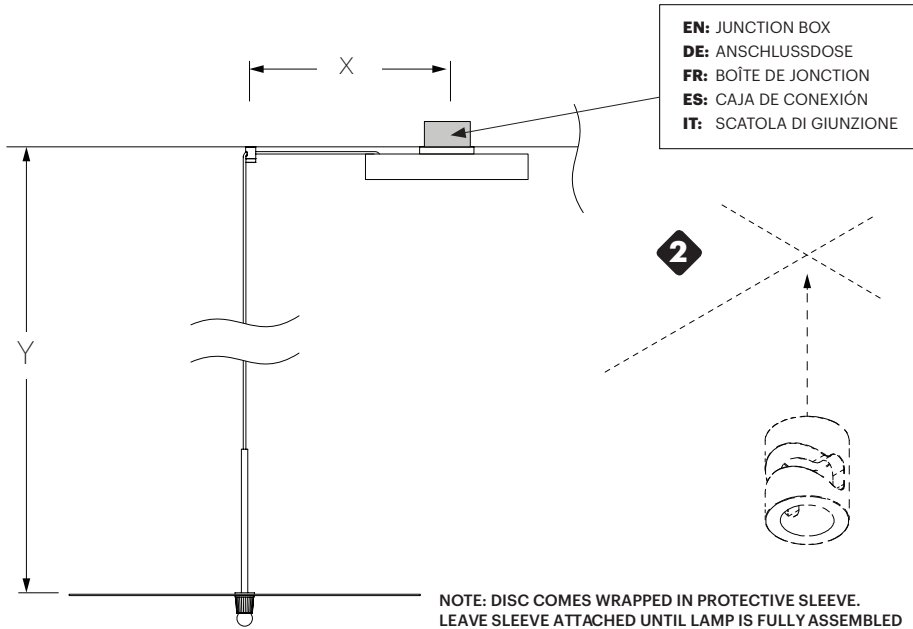
BOLA DISC/FELT PENDANT & CIELO XL PENDANT

ASSEMBLY & INSTALLATION INSTRUCTIONS



Pablo® MULTI-LIGHT CANOPY

- 1** LOCATE BUILDING POWER FEED/JUNCTION BOX
DETERMINE AND MARK SWAG LOCATIONS REFERENCING THE DIAGRAM AND PROVIDED CHART.
PROVIDED LAMP WIRES ARE 10', LAMP HANG HEIGHT REDUCES IN RELATION TO SWAG DISTANCE FROM CANOPY.

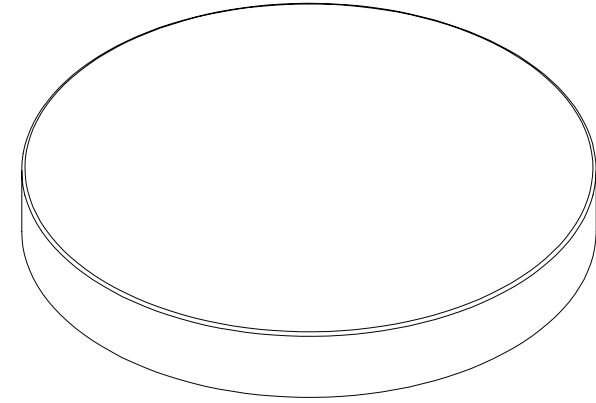


PROVIDED LAMP WIRES ARE 8', LAMP HANG HEIGHT REDUCES IN RELATION TO SWAG DISTANCE FROM CANOPY. IF X=5', Y CAN BE A MAXIMUM OF 3'.

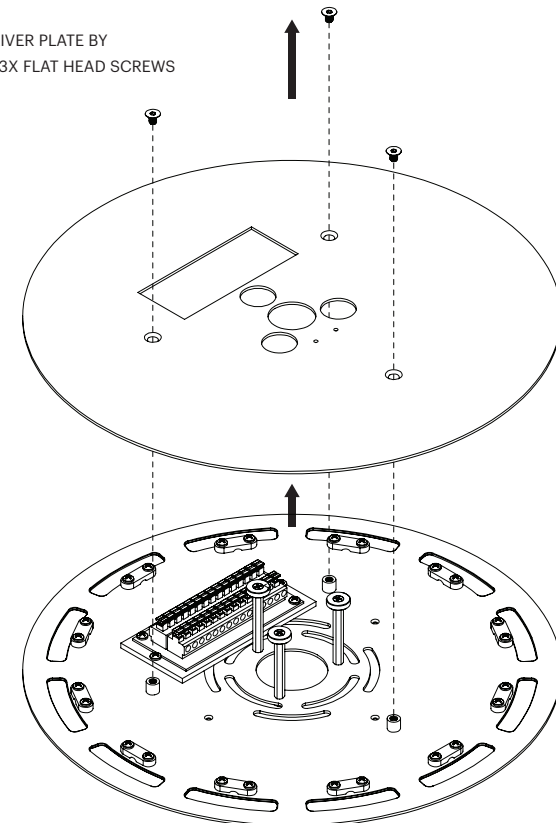
SWAG SPACING CENTER TO CENTER	BOLA DISC			
	BOLA DISC 12	BOLA DISC 18	BOLA DISC 22	BOLA DISC 32
BOLA DISC 12	5" 12.7 CM	8" 20.3 CM	9" 23 CM	13" 33 CM
BOLA DISC 18	8" 20.3 CM	8" 20.3 CM	9" 23 CM	13" 33 CM
BOLA DISC 22	9" 23 CM	9" 23 CM	9" 23 CM	13" 33 CM
BOLA DISC 32	13" 33 CM	13" 33 CM	13" 33 CM	13" 33 CM

Pablo® MULTI-LIGHT CANOPY

- 3** REMOVE CANOPY COVER, SET ASIDE

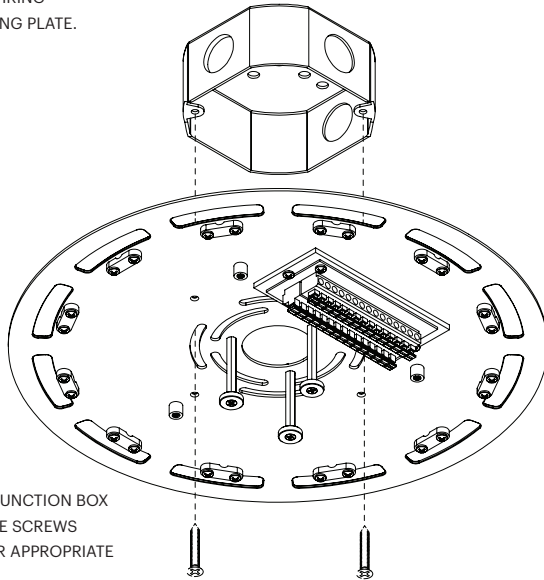


- 4** REMOVE DRIVER PLATE BY
REMOVING 3X FLAT HEAD SCREWS



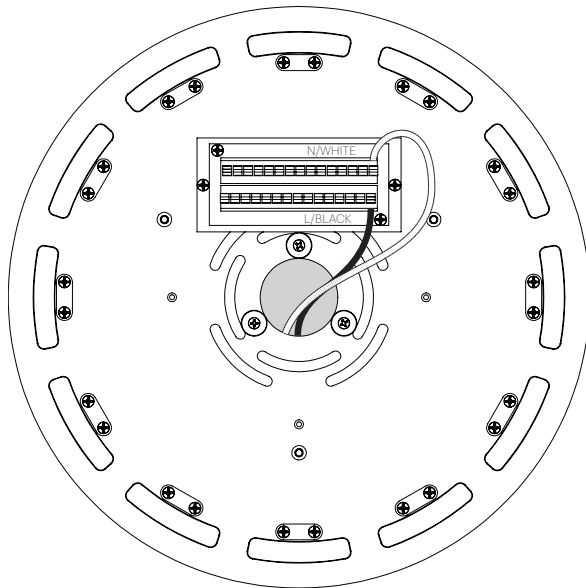
Pablo® MULTI-LIGHT CANOPY

5 ROUTE BUILDING WIRING THROUGH MOUNTING PLATE.



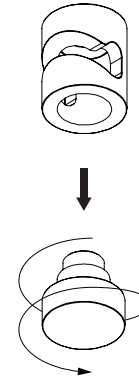
6 ATTACH PLATE TO JUNCTION BOX WITH 8-32 MACHINE SCREWS (NOT PROVIDED) OR APPROPRIATE ANCHORS.

7 WIRE BUILDING WIRING TO TERMINAL BLOCK.
US: BLACK TO BLACK AND WHITE TO WHITE **EU:** BLUE TO WHITE BROWN TO BLACK.

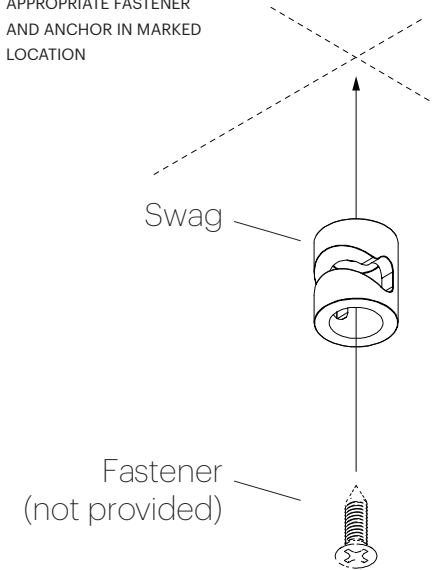


Pablo® MULTI-LIGHT CANOPY

8 REMOVE THREADED SWAG CAP



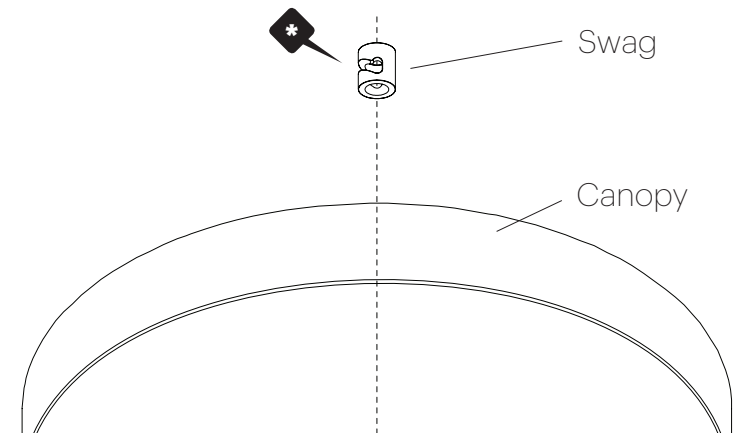
9 MOUNT SWAG USING APPROPRIATE FASTENER AND ANCHOR IN MARKED LOCATION



NOTE: Cable slot should face canopy center point.



Cable slot



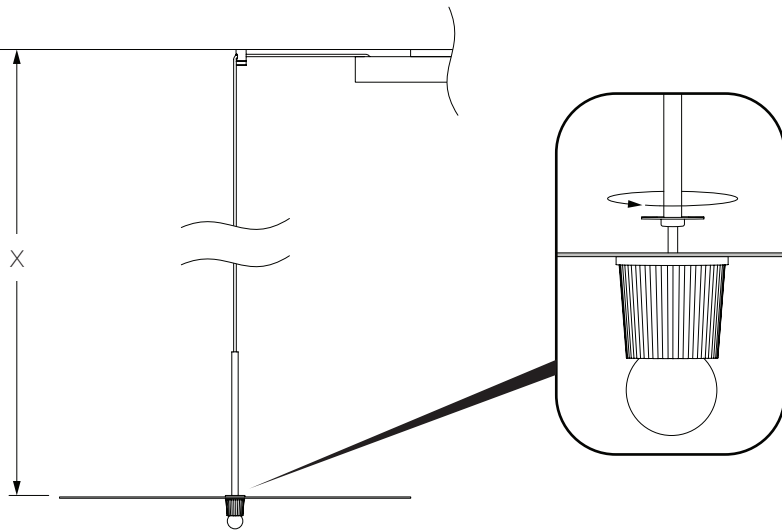
Pablo® MULTI-LIGHT CANOPY



BOLA



* BOLA: ASSEMBLE DISC AND LIGHT ENGINE



USE PROVIDED GLOVES WHEN HANDLING LAMP TO AVOID FINGER MARKS.



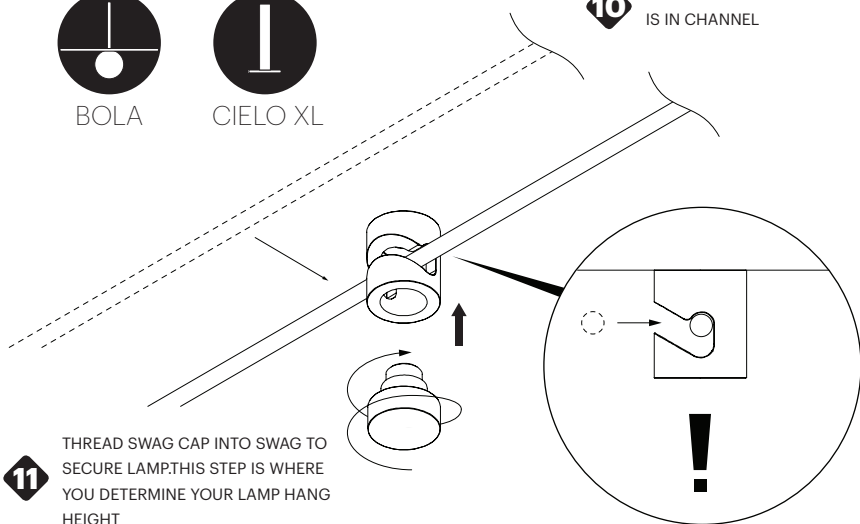
BOLA



CIELO XL



10 PLACE WIRE IN SWAG. MAKE SURE WIRE IS IN CHANNEL

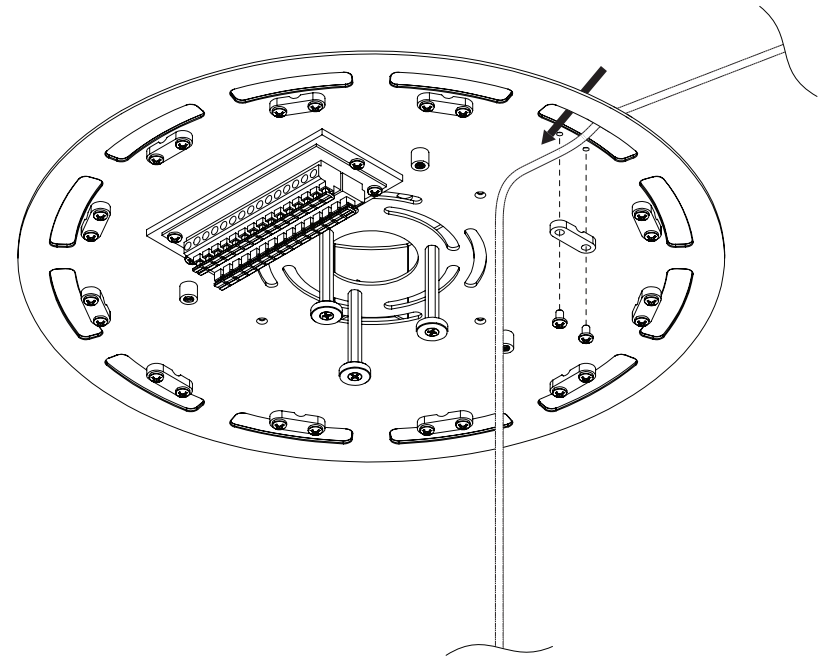


11 THREAD SWAG CAP INTO SWAG TO SECURE LAMP. THIS STEP IS WHERE YOU DETERMINE YOUR LAMP HANG HEIGHT

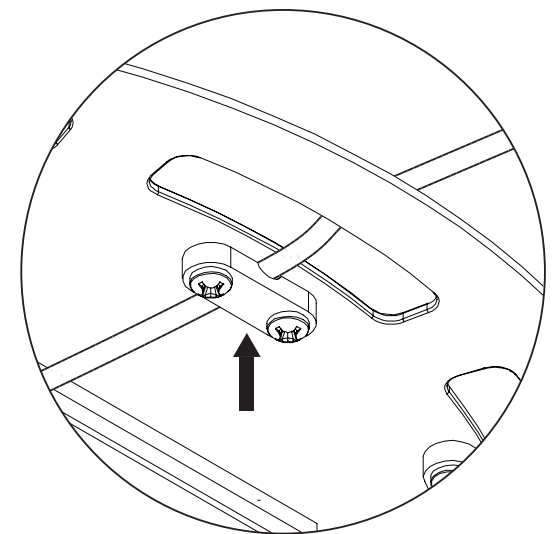
Pablo® MULTI-LIGHT CANOPY



12 THREAD WIRE THROUGH MOUNT PLATE



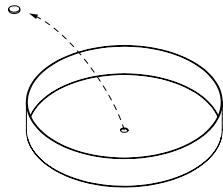
13 PULL WIRE TAUGHT AND STRAIN RELIEVE



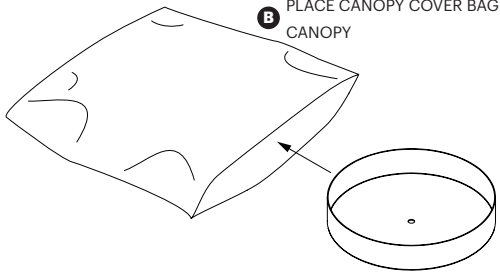
Pablo® MULTI-LIGHT CANOPY

13

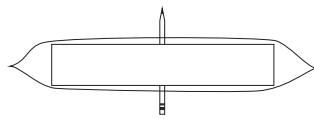
A REMOVE PLUG



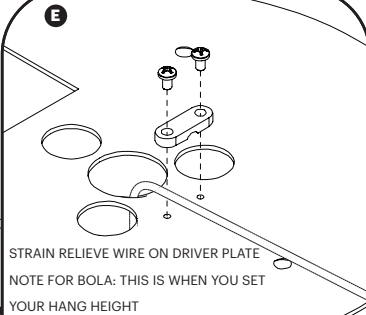
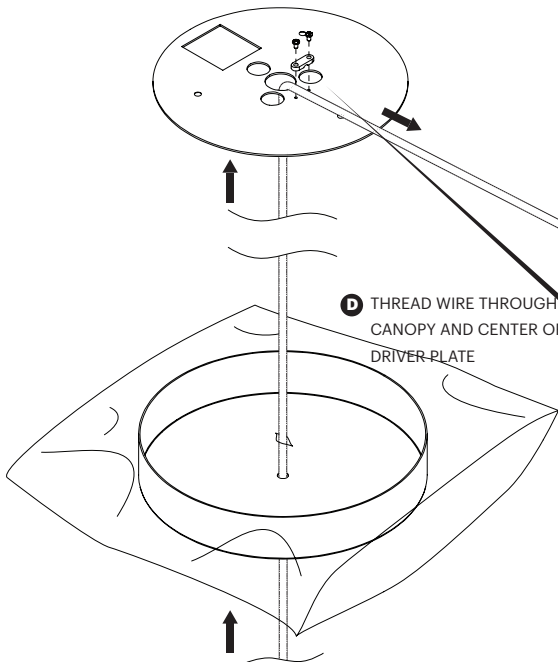
B PLACE CANOPY COVER BAG OVER CANOPY



C USING A PENCIL, PUNCTURE SMALL HOLE FOR WIRE TO PASS THROUGH

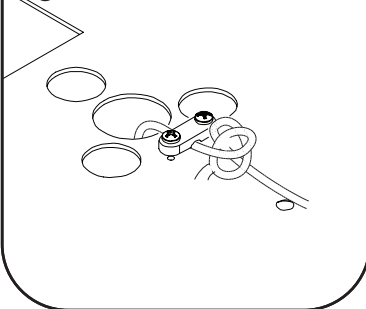


D THREAD WIRE THROUGH CANOPY AND CENTER OF DRIVER-PLATE



E STRAIN RELIEVE WIRE ON DRIVER PLATE
NOTE FOR BOLA: THIS IS WHEN YOU SET YOUR HANG HEIGHT

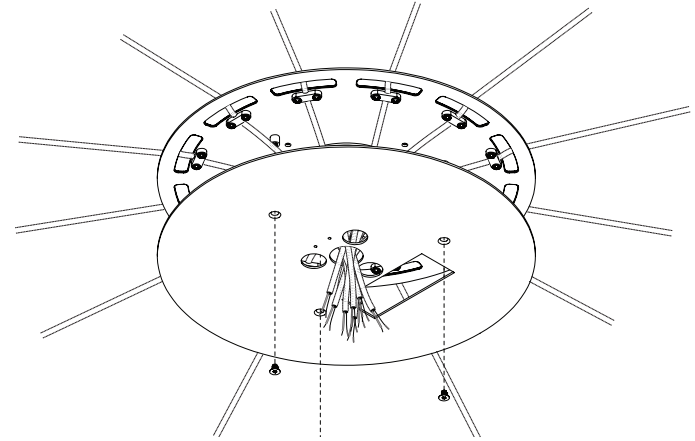
F TIE KNOT JUST PAST STRAIN RELIEF



Pablo® MULTI-LIGHT CANOPY

14

ATTACH DRIVER PLATE TO MOUNT PLATE WITH PROVIDED FLAT HEAD SCREWS
THREAD WIRES THROUGH CENTER OF DRIVER PLATE

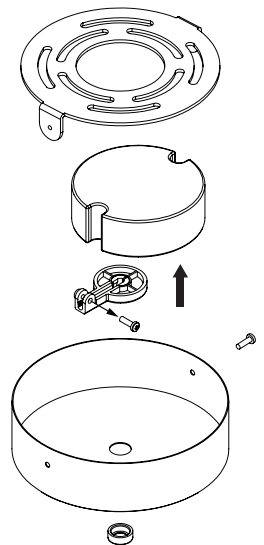
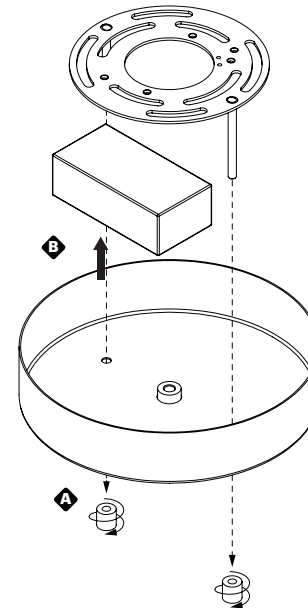


BOLA

15



CIELO XL



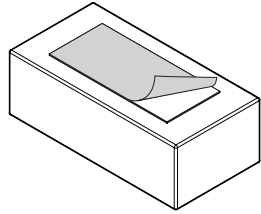
REMOVE INDIVIDUAL LAMP DRIVERS FROM INDIVIDUAL LAMP CANOPIES

MULTI-LIGHT CANOPY

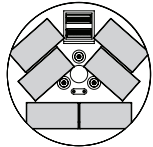
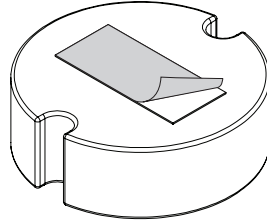
16 PEEL LINER OFF OF VHB TAPE



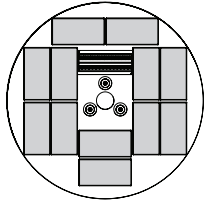
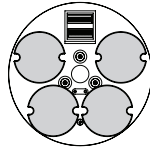
BOLA



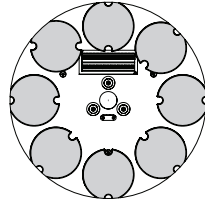
CIELO XL



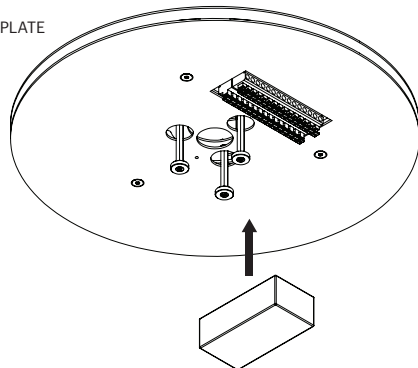
9" CANOPY
MAXIMUM
CAPACITY



12" CANOPY
MAXIMUM
CAPACITY



17 ATTACH DRIVERS TO DRIVER PLATE

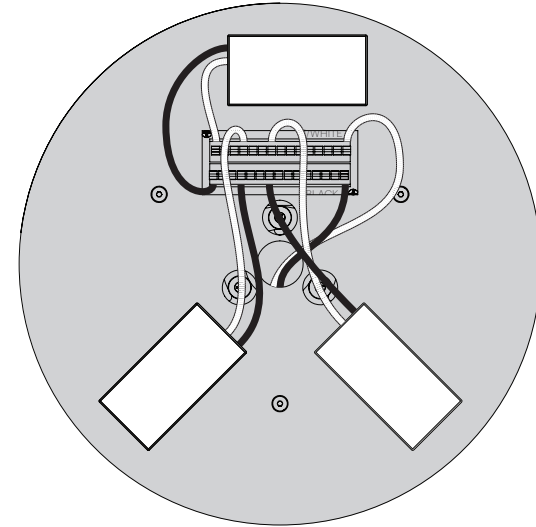


MULTI-LIGHT CANOPY



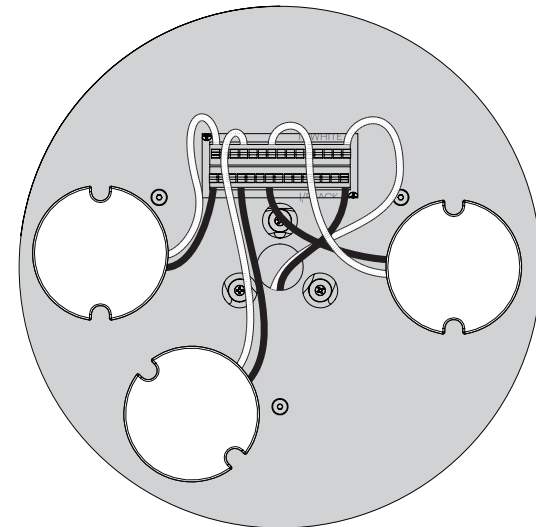
BOLA

18 CONNECT DRIVERS TO TERMINAL BLOCK.
US: BLACK TO BLACK AND WHITE TO WHITE **EU:** BLUE TO BLUE AN BROWN TO BROWN



CIELO XL

18 CONNECT DRIVERS TO TERMINAL BLOCK.
US: BLACK TO BLACK AND WHITE TO WHITE **EU:** BLUE TO BLUE AN BROWN TO BROWN

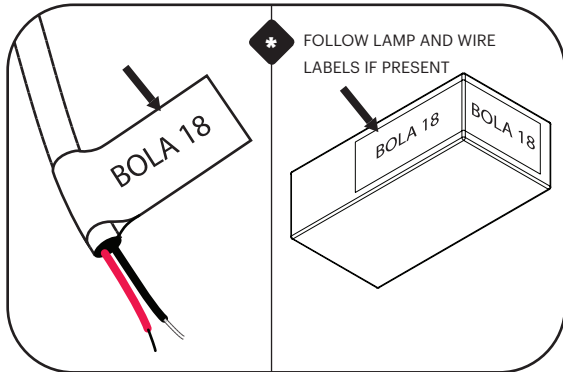
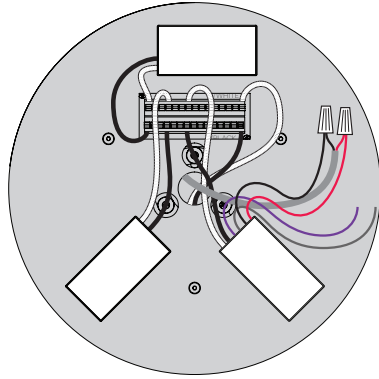


Pablo® MULTI-LIGHT CANOPY



BOLA

19 ONE AT A TIME, WIRE LAMPS TO MATCHING DRIVERS. CUT EXCESS WIRE IF NECESSARY



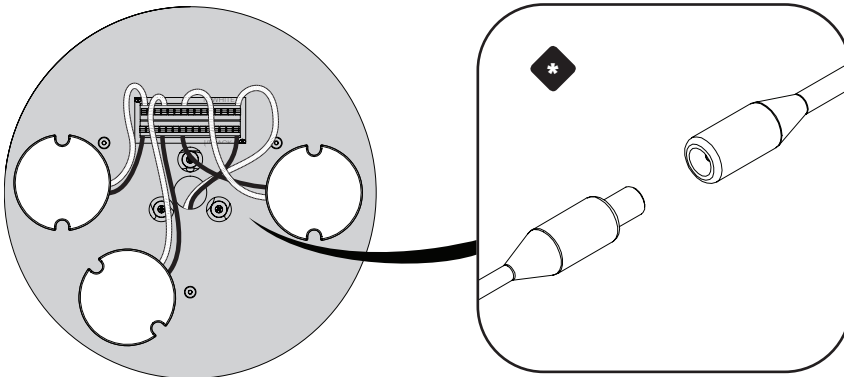
* FOLLOW LAMP AND WIRE LABELS IF PRESENT

! IF USING 0-10V DIMMING, WIRE DIMMING IN PARALLEL



CIELO XL

19 ONE AT A TIME, WIRE LAMPS TO MATCHING DRIVERS. NO FIELD CUTTING OF WIRES IS REQUIRED. DO NOT CUT.

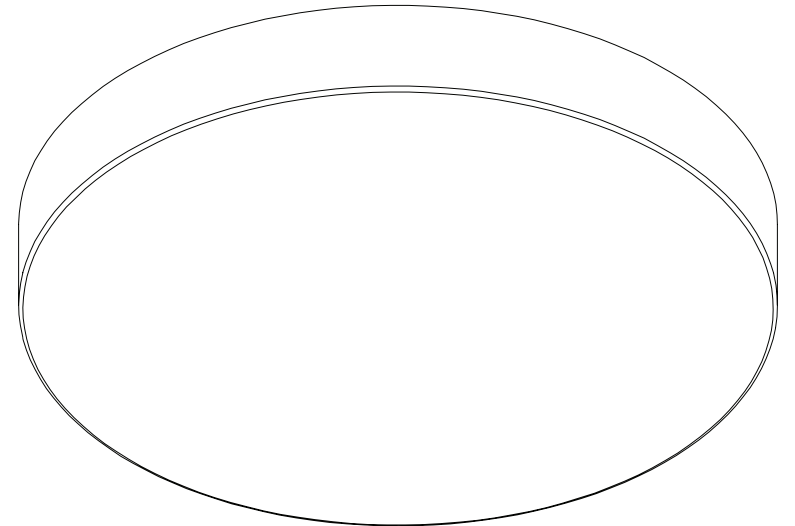
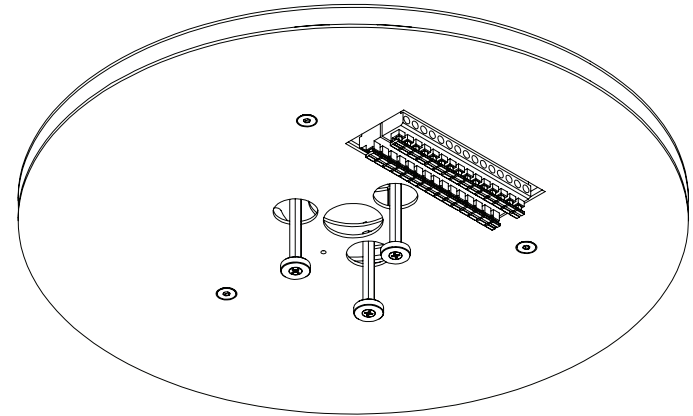


Pablo® MULTI-LIGHT CANOPY

20 ATTACH CANOPY COVER

CARE INSTRUCTIONS

WIPE CLEAN WITH A SOFT DAMP CLOTH. AVOID AMMONIA BASED CLEANER.



USE PROVIDED GLOVES WHEN HANDLING LAMP TO AVOID FINGER MARKS.

Pablo® MULTI-LIGHT CANOPY



USE PROVIDED GLOVES WHEN HANDLING LAMP
TO AVOID FINGER MARKS.

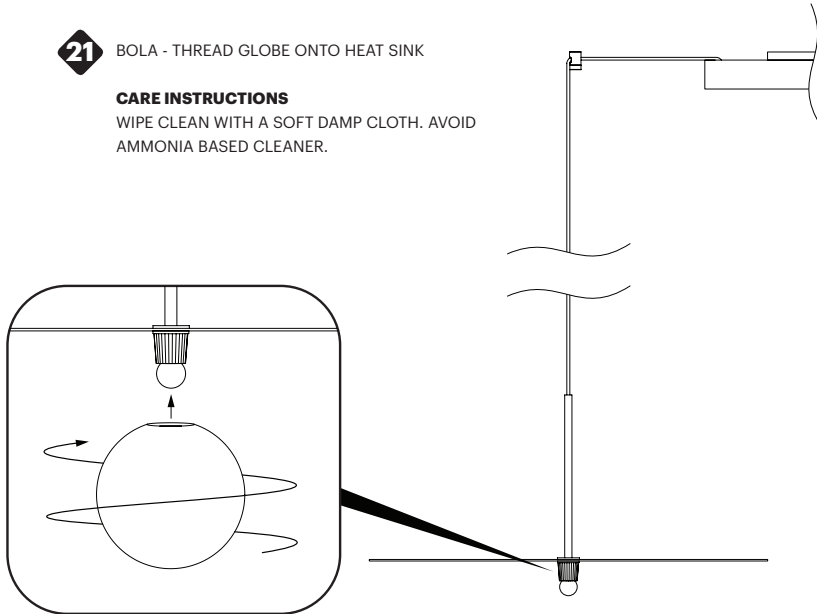


BOLA

21 BOLA - THREAD GLOBE ONTO HEAT SINK

CARE INSTRUCTIONS

WIPE CLEAN WITH A SOFT DAMP CLOTH. AVOID
AMMONIA BASED CLEANER.



Pablo® MULTI-LIGHT CANOPY



USE PROVIDED GLOVES WHEN HANDLING LAMP
TO AVOID FINGER MARKS.

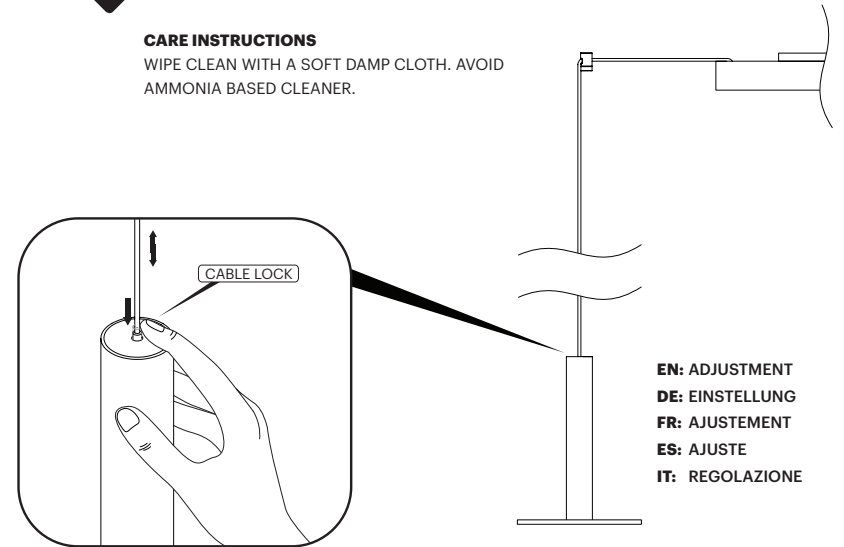


CIELO XL

21 CIELO XL - ADJUST HEIGHT OF LAMPS AS NECESSARY

CARE INSTRUCTIONS

WIPE CLEAN WITH A SOFT DAMP CLOTH. AVOID
AMMONIA BASED CLEANER.



EN: ADJUSTMENT
DE: EINSTELLUNG
FR: AJUSTEMENT
ES: AJUSTE
IT: REGOLAZIONE

Pablo®

INFO@PABLODESIGNS.COM
INFO@PABLODESIGNS.EU

888 MARIN STREET
SAN FRANCISCO, CA
94124

PABLODESIGNS.COM
PABLODESIGNS.EU