

Pablo®
CIRCA

CIRCA

DESCRIPTION

Circa's revolutionary flat-panel LED light source combines seamless movement with warm and balanced illumination for any environment and every task. With its 45° shade tilt and 360° shade rotation, Circa redefines the ambient lighting category. Available in table, floor, wall and pendant models.

DESIGNER

Pablo Studio 2013

MATERIALS

- ABS shade
- Polycarbonate lens assembly
- Aluminum stem
- ABS base with steel insert (Circa Table only)
- Steel base (Circa Floor only)
- Aluminum / steel pedestal (Circa Floor only)
- ABS canopy (Circa Pendant only)
- ABS wall mount cover (Circa Wall only)

FEATURES

- 360° shade rotation
- 45° shade tilt in two directions
- 4-stage dim control
- USB charging port (Circa Table, Floor and Wall)
- Glare-free illumination
- Ships flat-packed

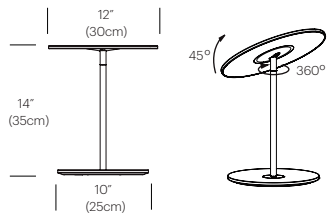
SPECIFICATIONS

- Voltage: 120V or 240V 60Hz
- Power consumption: 8.5W
- Color temperature: 2700K
- Luminosity: 380 Lumens
- Luminaire efficacy: 4.5 Lumens/Watt
- Color Rendition Index: 85 CRI
- 50K hour lifespan
- Pendant cord length: 10' (244cm)
- Table, Floor and Wall cord length: 8' (244cm)
- Global multi-plug adapter available
- Title 20 Compliant
- Certifications: ETL, CE, RoHS

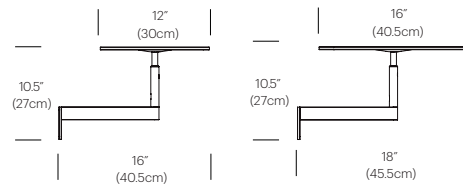


DIMENSIONS

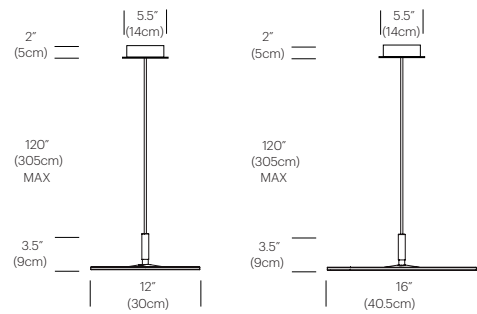
CIRCA TABLE



CIRCA WALL



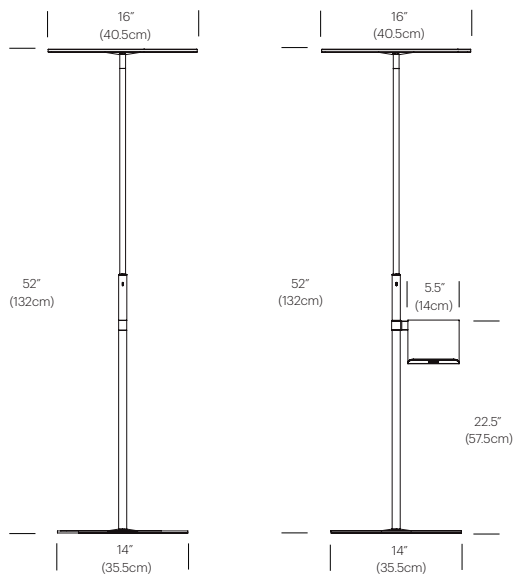
CIRCA PENDANT



CIRCA FLUSH



CIRCA FLOOR



FINISH OPTIONS



Graphite



White

Pablo®

888 MARIN STREET SAN FRANCISCO, CA 94124
PABLODESIGNS.COM