

CLAMP TABLE

DESCRIPTION

Designed for simplicity and engineered for sustainability, Clamp combines the beauty of wood with the brilliance of LED technology. Clamp is comprised of 3 main components that work together to provide infinite adjustment, while focusing warm, diffused light where needed most. Available in clamp mount, freestanding, mini and floor models in White Oak and Walnut.

FIXTURE TYPE

Table

LIGHT SOURCE

Clamp/Clamp FS: (108x) High output LED array

Clamp Mini: (60x) High output LED array

PRODUCT CODES

Clamp (Walnut):	CLAM CLP WLN
Clamp (White Oak):	CLAM CLP WHT OAK
Clamp FS (Walnut):	CLAM FS WLN
Clamp FS (White Oak):	CLAM FS WHT OAK
Clamp FS Base (White):	CLAM BASE TBL WHT
Clamp Mini (Walnut):	CLAM MINI WLN
Clamp Mini (White Oak):	CLAM MINI WHT OAK

LIGHT CONTROL

Hi-low dim control

FEATURES

360° arm rotation

Advanced LED array eliminates multiple shadows

Ships flat-packed

SPECIFICATIONS

Voltage: 120-240V 50-60Hz

Power Consumption: 9W (Clamp Mini: 6W)

Color temperature: 3000K

Luminosity: 485 Lumens (Clamp Mini: 325 Lumens)

Luminaire efficacy: 54 Lumens/Watt

Color Rendition Index: 85 CRI

Title 20 compliant

50K hour lifespan

Cable length: 8' (244cm)

Global multi-plug adapter available

1 year warranty

CERTIFICATIONS



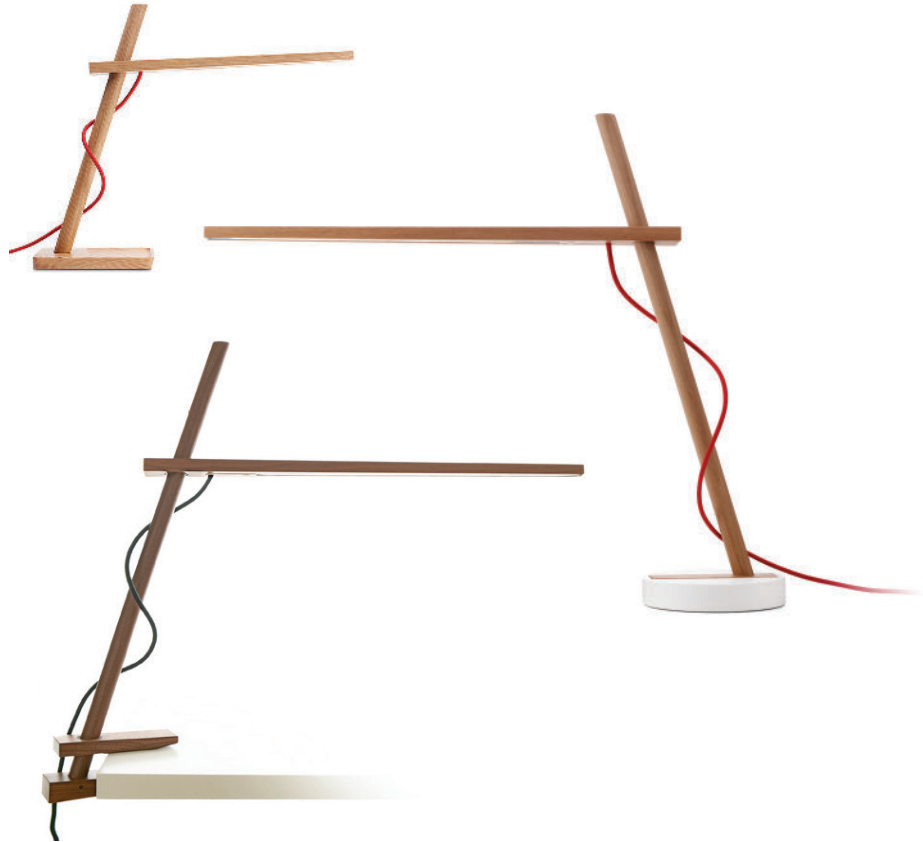
Intertek

PACKAGING WEIGHT AND DIMENSIONS

CLAMP:	4.45LBS	32" X 9" X 2.5"
	2KGS	81cm X 23cm X 6cm
CLAMP FS BASE:	8.3LBS	11.5" X 10.5" X 2.5"
	3.8KGS	29cm X 27cm X 6cm
CLAMP MINI:	6.65LBS	22" X 11" X 2.5"
	3KGS	56cm X 28cm X 6cm

NOTES

Custom requests can be considered on volume orders



FINISHES

CLAMP BODY



WHITE OAK/
RED



WALNUT/
BLACK

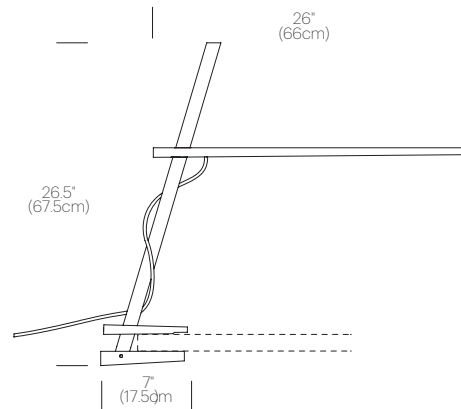
FREESTANDING BASE



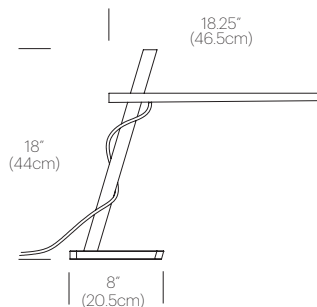
WHITE

DIMENSIONS

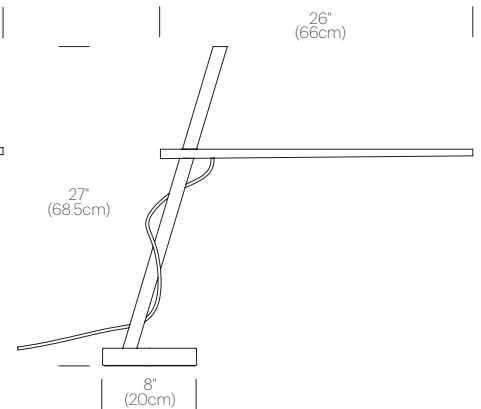
CLAMP



CLAMP MINI



CLAMP FREESTANDING



Pablo

CLAMP FLOOR

DESCRIPTION

Clamp Floor brings the simplicity and elegance of the Clamp lamp to a floor-standing model. Fusing timeless materials with state-of-the-art LED technology, Clamp Floor's cantilevered arm allows for limitless adjustment while providing warm and focused illumination. Superior functionality and refined form combine to complement any residential or hospitality environment. Available in White Oak and Walnut.

FIXTURE TYPE

Floor

LIGHT SOURCE

(108x) High output LED array

PRODUCT CODES

Clamp (Walnut):	CLAM FLR WLN
Clamp (White Oak):	CLAM FLR WHT OAK

LIGHT CONTROL

Hi-low dim control

FEATURES

360° arm rotation
Advanced LED array eliminates multiple shadows
Ships flat-packed

SPECIFICATIONS

Voltage: 120-240V 50-60Hz
Power Consumption: 9W
Color temperature: 3000K
Luminosity: 485 Lumens
Luminaire efficacy: 54 Lumens/Watt
Color Rendition Index: 85 CRI
Title 20 compliant
50K hour lifespan
Cable length: 8' (244cm)
Global multi-plug adapter available
1 year warranty

CERTIFICATIONS



PACKAGING WEIGHT AND DIMENSIONS

Clamp Floor:	9.3LBS	31" X 12.5" X 2.5"
	4.2KGS	79cm X 32cm X 6cm

NOTES

Custom requests can be considered on volume orders



FINISHES



WHITE OAK/
RED



WALNUT/
BLACK

DIMENSIONS

CLAMP FLOOR

