

Pablo®

CLAMP

ASSEMBLY & INSTALLATION INSTRUCTIONS

TABLE OF CONTENTS

pg. 2-4.....	CLAMP
pg. 5-8.....	CLAMP FLOOR
pg. 9-12.....	CLAMP FS
pg. 13-15.....	CLAMP MINI

Pablo®

CLAMP

ASSEMBLY & INSTALLATION INSTRUCTIONS

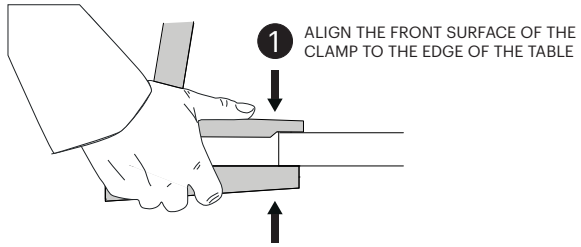
INFO@PABLODESIGNS.COM
888 MARIN STREET
SAN FRANCISCO, CA
94124

PABLODESIGNS.COM

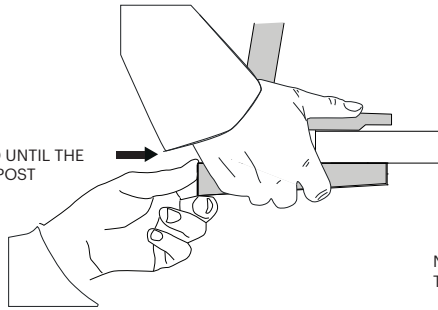


Pablo® CLAMP

INSTALLATION

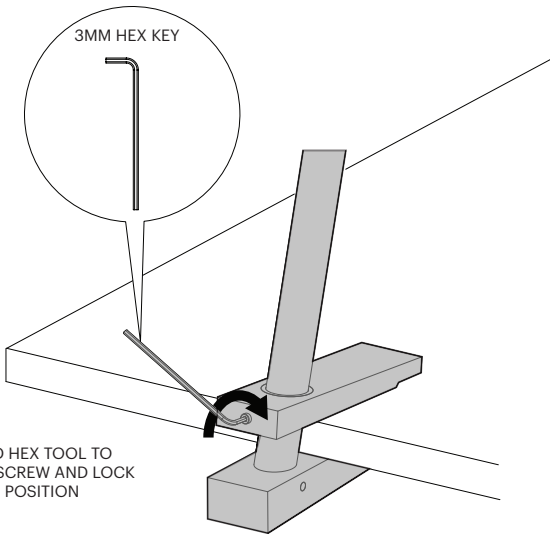


2 SLIDE CLAMP FORWARD UNTIL THE EDGE OF TABLE MEETS POST



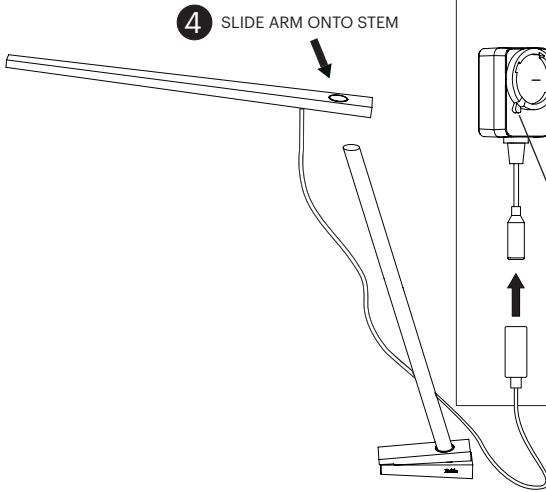
NOTE: CLAMP CAN ONLY BE APPLIED TO SURFACES UP TO 3" THICK

LOCKING

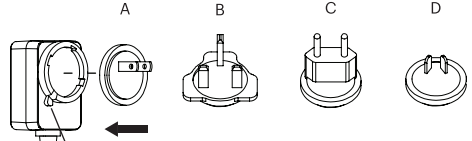


Pablo® CLAMP

ASSEMBLY



PLUG TYPES:



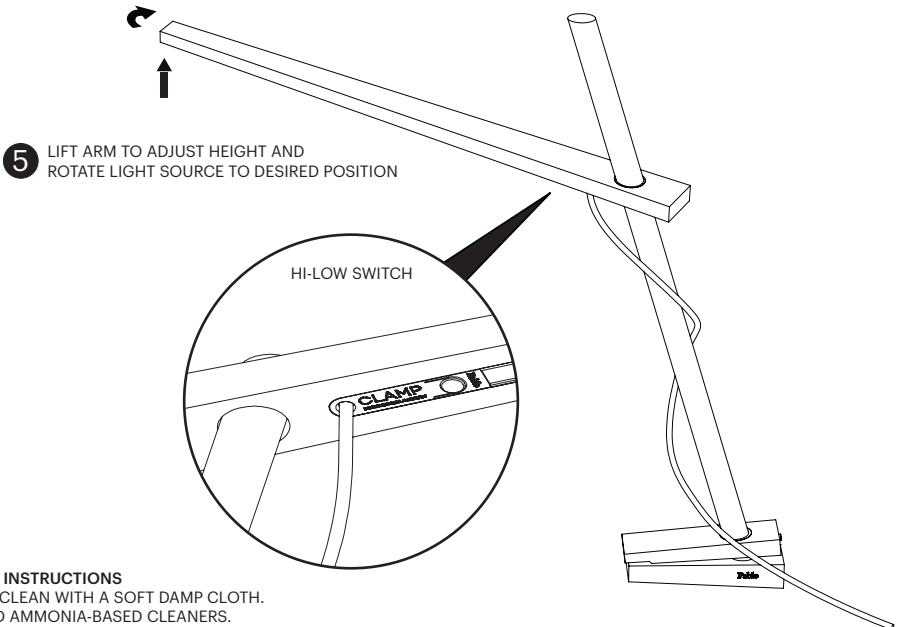
1 PUSH AND TWIST PLUG INTO POWER SUPPLY
PUSH BUTTON TO REMOVE PLUG

2 CONNECT LAMP CORD TO POWER SUPPLY

A. N AMERICA B. UK C. EU D. AU

NOTE: CONTACT MANUFACTURER FOR ADDITIONAL PLUG TYPE REQUIREMENTS.

ADJUSTMENT



CARE INSTRUCTIONS
WIPE CLEAN WITH A SOFT DAMP CLOTH.
AVOID AMMONIA-BASED CLEANERS.

Pablo®

CLAMP FLOOR

ASSEMBLY & INSTALLATION INSTRUCTIONS

INFO@PABLODESIGNS.COM
888 MARIN STREET
SAN FRANCISCO, CA
94124

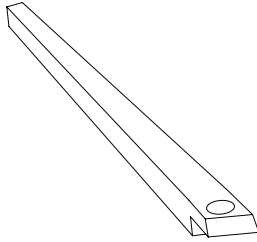
PABLODESIGNS.COM



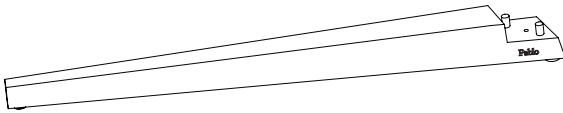
Pablo®

CLAMP FLOOR

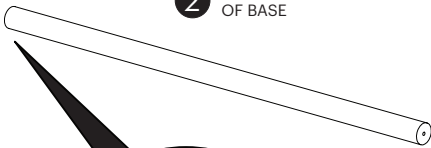
ASSEMBLY



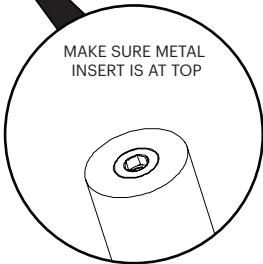
- 1** ASSEMBLE BASE BY JOINING TOP LEG TO BOTTOM LEG AS SHOWN



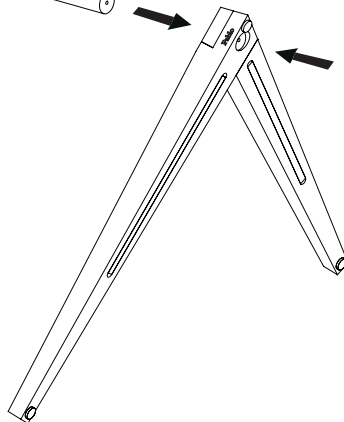
- 2** SLIDE BOTTOM POST INTO HOLE ON TOP OF BASE



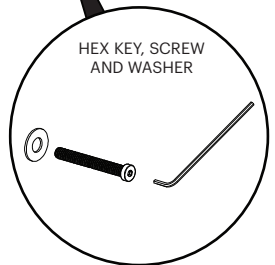
MAKE SURE METAL
INSERT IS AT TOP



- 3** USE SUPPLIED HEX KEY TO SECURE BOTTOM POST WITH WASHER AND SCREW PROVIDED. TIGHTEN UNTIL POST IS SECURE BUT CAN STILL ROTATE.



HEX KEY, SCREW
AND WASHER

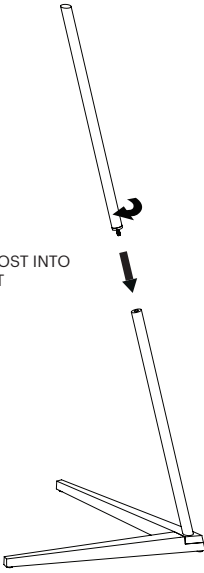


Pablo®

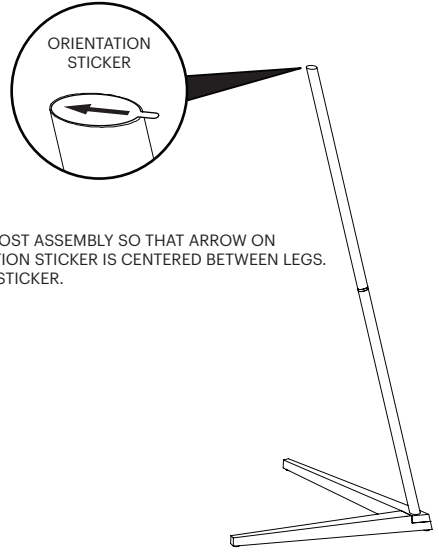
CLAMP FLOOR

ASSEMBLY

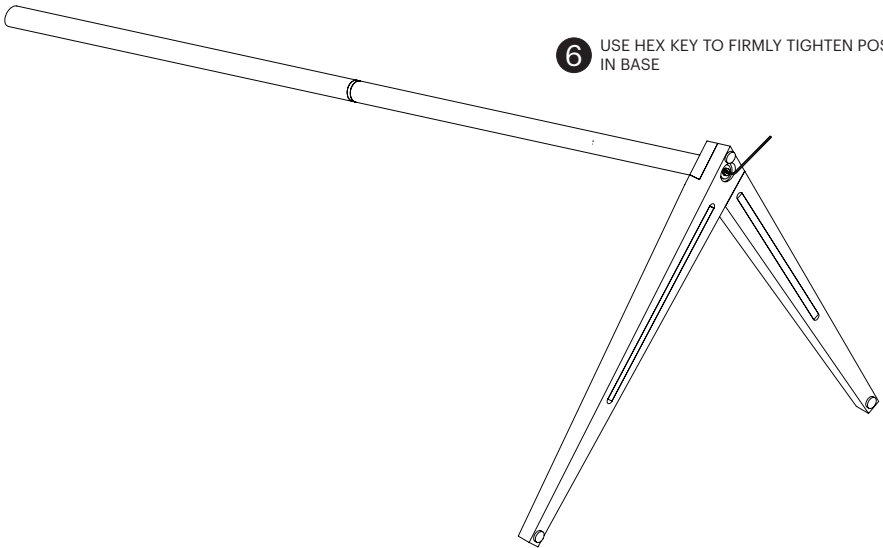
4 SCREW TOP POST INTO
BOTTOM POST



5 ROTATE POST ASSEMBLY SO THAT ARROW ON
ORIENTATION STICKER IS CENTERED BETWEEN LEGS.
REMOVE STICKER.



6 USE HEX KEY TO FIRMLY TIGHTEN POST
IN BASE

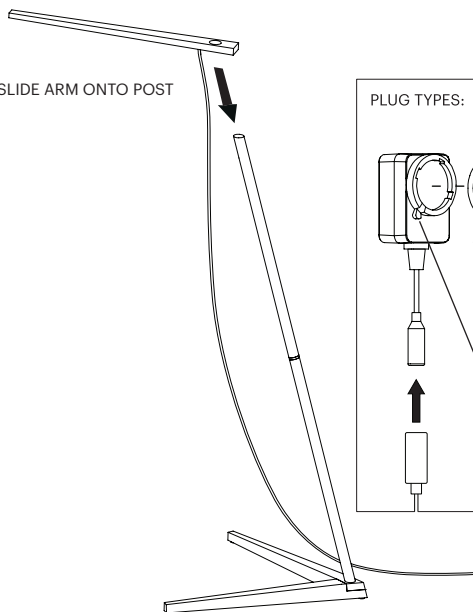


Pablo®

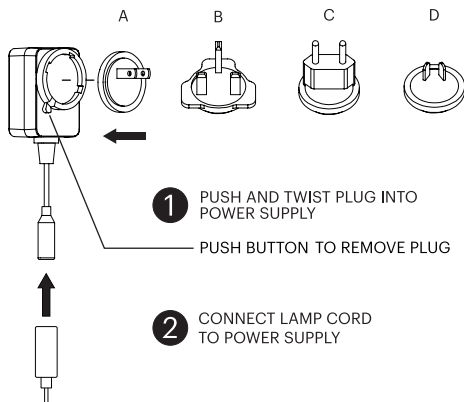
CLAMP FLOOR

ASSEMBLY

- 7 SLIDE ARM ONTO POST



PLUG TYPES:

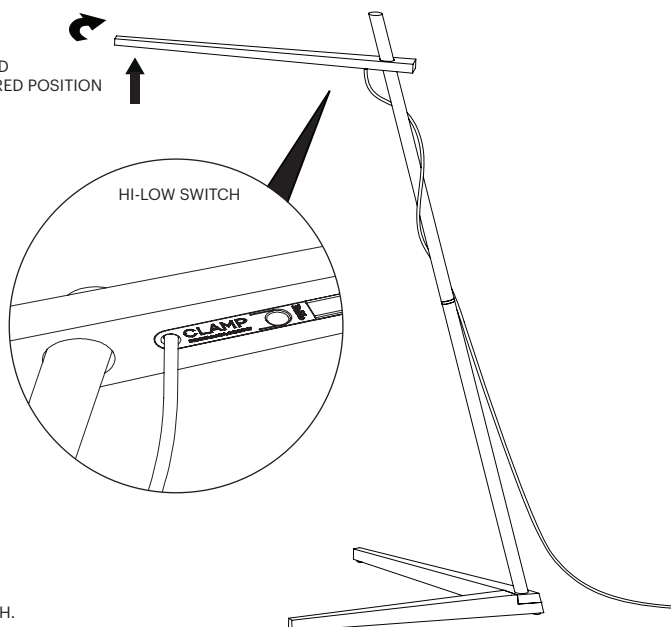


A. N AMERICA B. UK C. EU D. AU

NOTE: CONTACT MANUFACTURER FOR ADDITIONAL PLUG TYPE REQUIREMENTS.

ADJUSTMENT

- 8 LIFT ARM TO ADJUST HEIGHT AND ROTATE LIGHT SOURCE TO DESIRED POSITION



CARE INSTRUCTIONS

WIPE CLEAN WITH A SOFT DAMP CLOTH.
AVOID AMMONIA-BASED CLEANERS.

Pablo®

CLAMP FS

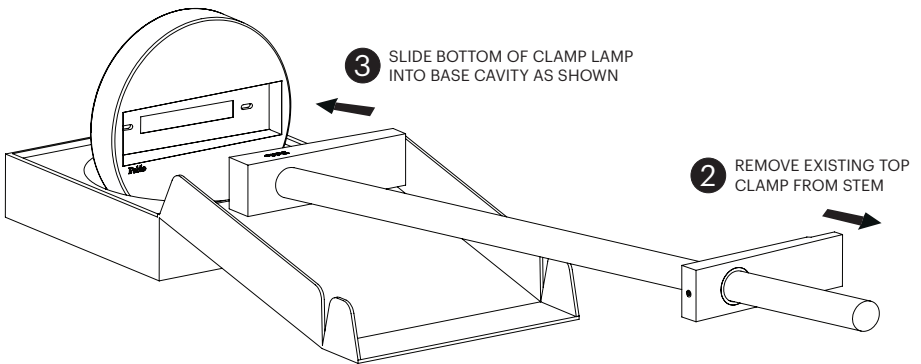
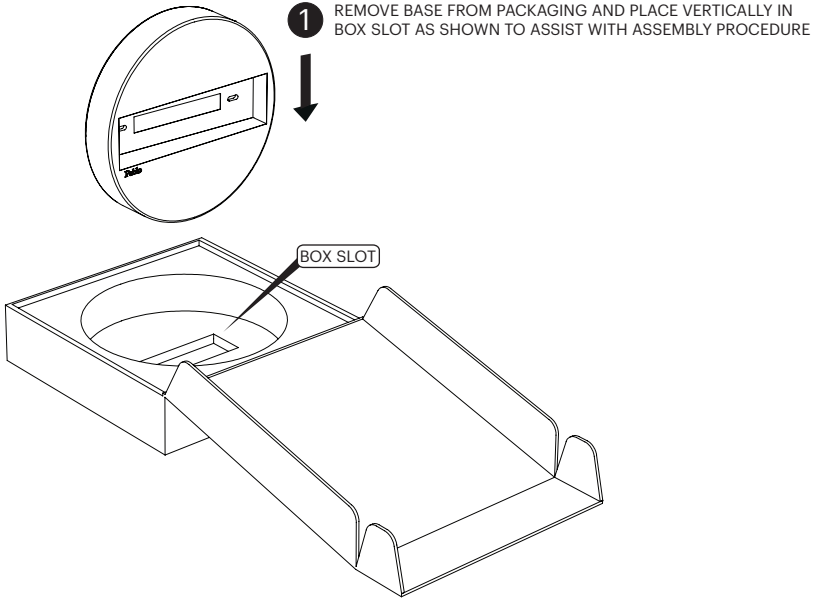
ASSEMBLY & INSTALLATION INSTRUCTIONS



Pablo®

CLAMP FS

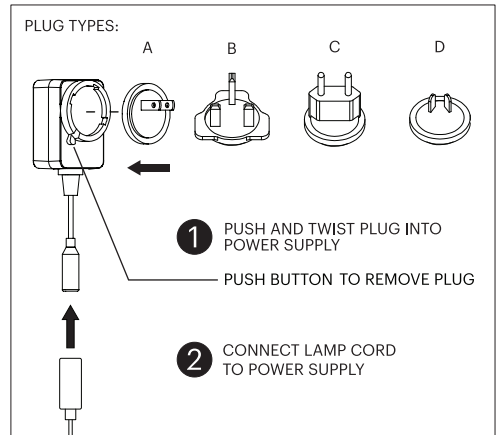
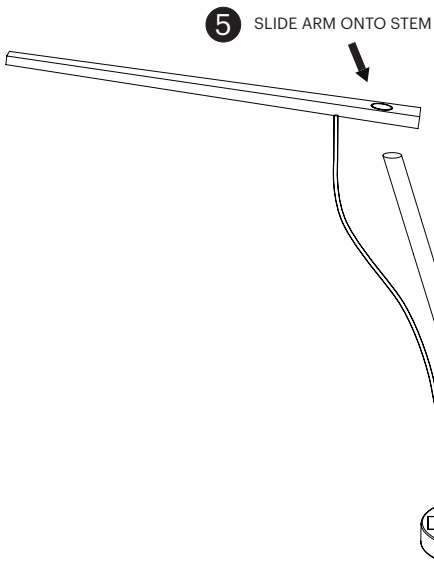
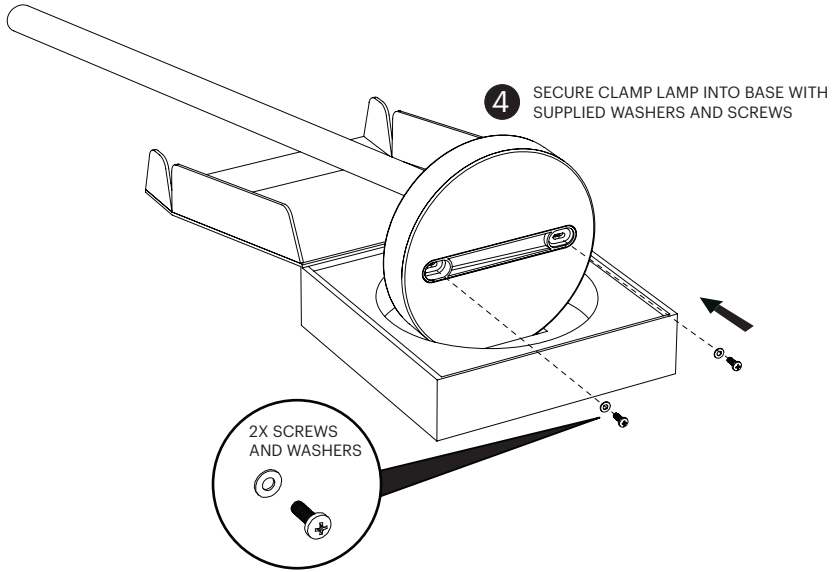
ASSEMBLY



Pablo®

CLAMP FS

ASSEMBLY



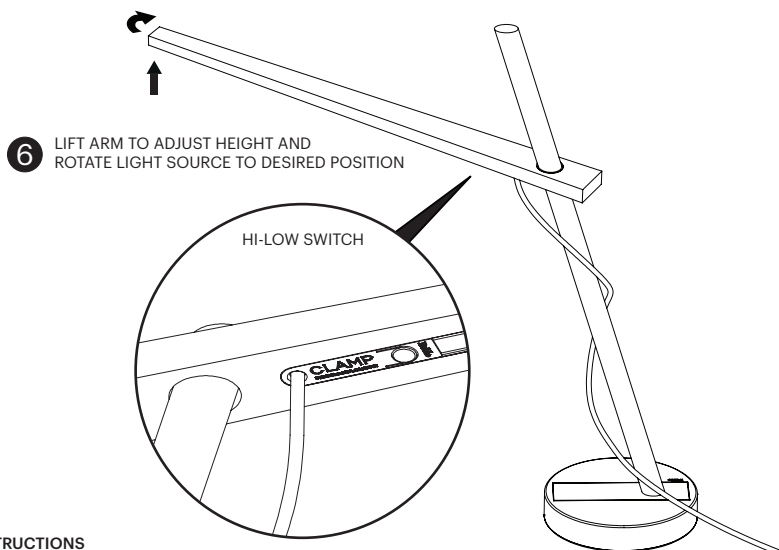
A. N AMERICA B. UK C. EU D. AU

NOTE: CONTACT MANUFACTURER FOR ADDITIONAL PLUG TYPE REQUIREMENTS.

Pablo®

CLAMP FS

ADJUSTMENT



CARE INSTRUCTIONS

WIPE CLEAN WITH A SOFT DAMP CLOTH.
AVOID AMMONIA-BASED CLEANERS.

INFO@PABLODESIGNS.COM
888 MARIN STREET
SAN FRANCISCO, CA
94124

PABLODESIGNS.COM

Pablo®

CLAMP MINI

ASSEMBLY & INSTALLATION INSTRUCTIONS

INFO@PABLODESIGNS.COM
888 MARIN STREET
SAN FRANCISCO, CA
94124

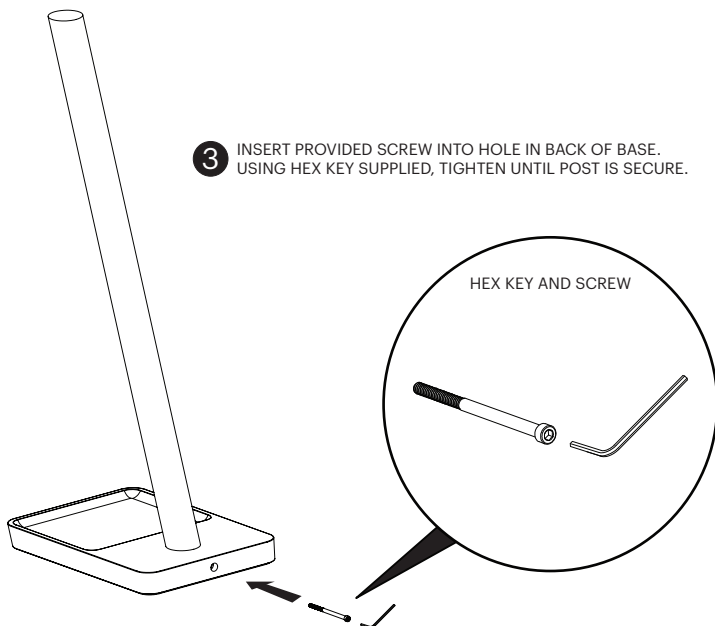
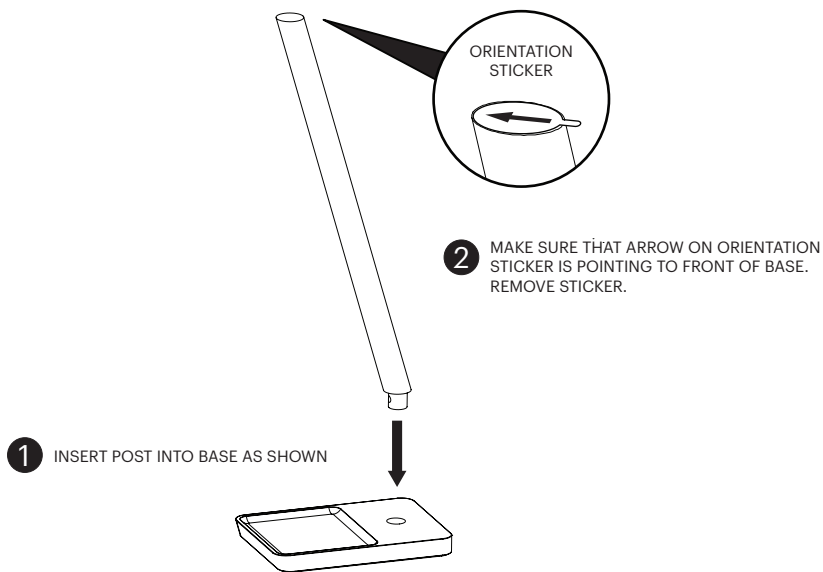
PABLODESIGNS.COM



Pablo®

CLAMP MINI

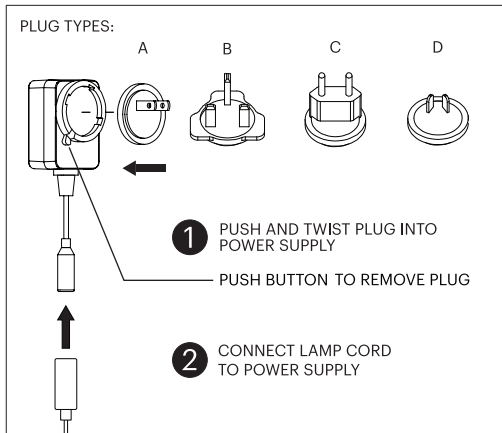
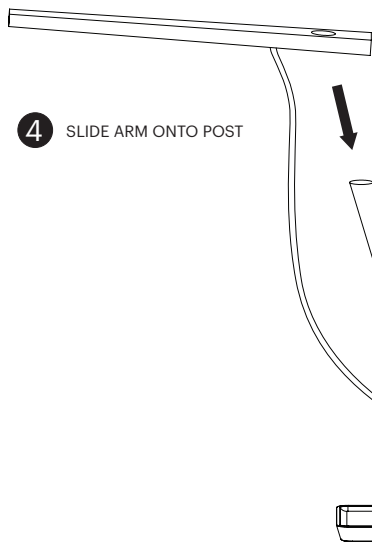
ASSEMBLY



Pablo®

CLAMP MINI

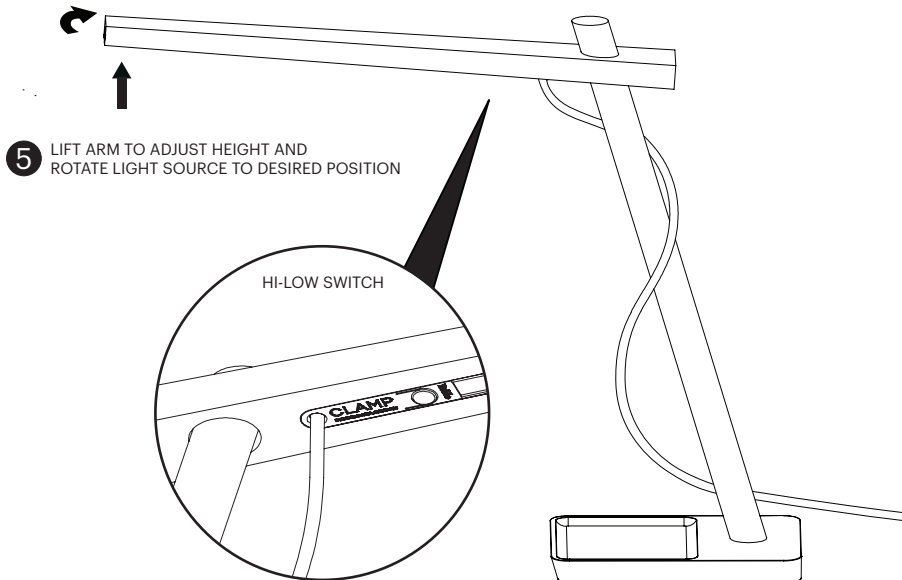
ASSEMBLY



A. N AMERICA B. UK C. EU D. AU

NOTE: CONTACT MANUFACTURER FOR ADDITIONAL PLUG TYPE REQUIREMENTS.

ADJUSTMENT



CARE INSTRUCTIONS
WIPE CLEAN WITH A SOFT DAMP CLOTH.
AVOID AMMONIA-BASED CLEANERS.