

Pablo®

CORNER OFFICE

ASSEMBLY & INSTALLATION INSTRUCTIONS

INFO@PABLODESIGNS.COM
888 MARIN STREET
SAN FRANCISCO, CA
94124

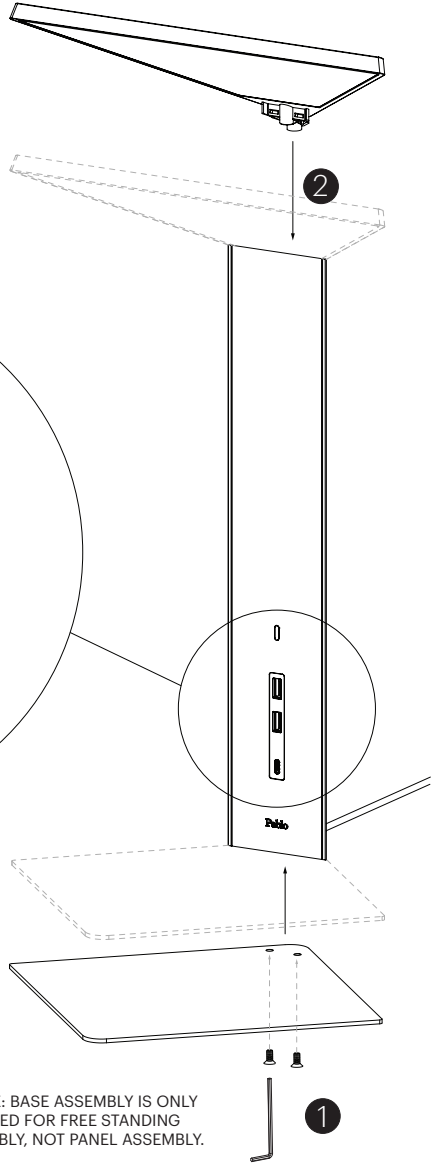
PABLODESIGNS.COM



CORNER OFFICE

FREE STANDING LAMP ASSEMBLY

- 1 SCREW BASE TO TOWER WITH PROVIDED ALLEN KEY.
- 2 FIRMLY INSERT LAMP HEAD INTO TOWER.



- A** OPTICAL SWITCH: TAP FOR HIGH & MEDIUM. PRESS AND HOLD FOR FULL RANGE DIM
- B** TWO 10-WATT USB PORTS (TYPE A)
- C** 35-WATT USB PORT (TYPE C)

NOTE: BASE ASSEMBLY IS ONLY NEEDED FOR FREE STANDING ASSEMBLY, NOT PANEL ASSEMBLY.

CARE INSTRUCTIONS

TOWER - WIPE WITH A DRY, LINT FREE CLOTH.

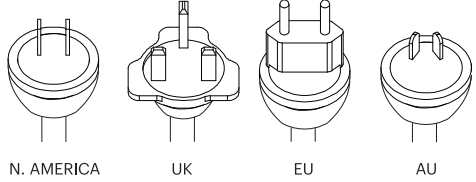
PANELS - TO REMOVE DUST AND SMALL DEBRIS: CLEAN WITH A SOFT HAIR BRUSH OR USE A VACUUM. TO REMOVE OTHER SUBSTANCES: USE A DAMP CLOTH AND IF NEEDED A MILD DETERGENT.

AVOID AMMONIA-BASED CLEANERS.

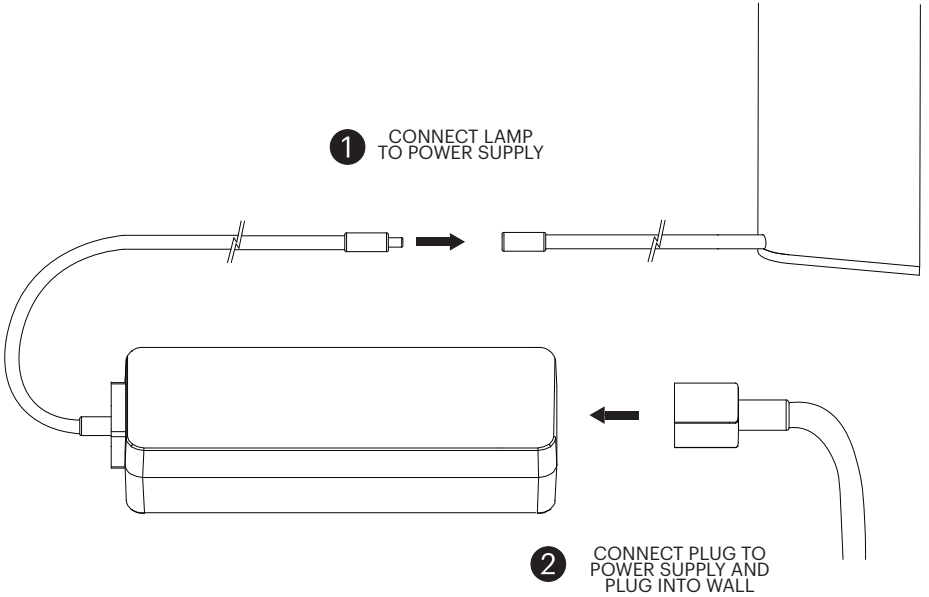
CORNER OFFICE

POWER SUPPLY

PLUG TYPES AVAILABLE:



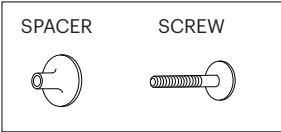
1 CONNECT LAMP TO POWER SUPPLY



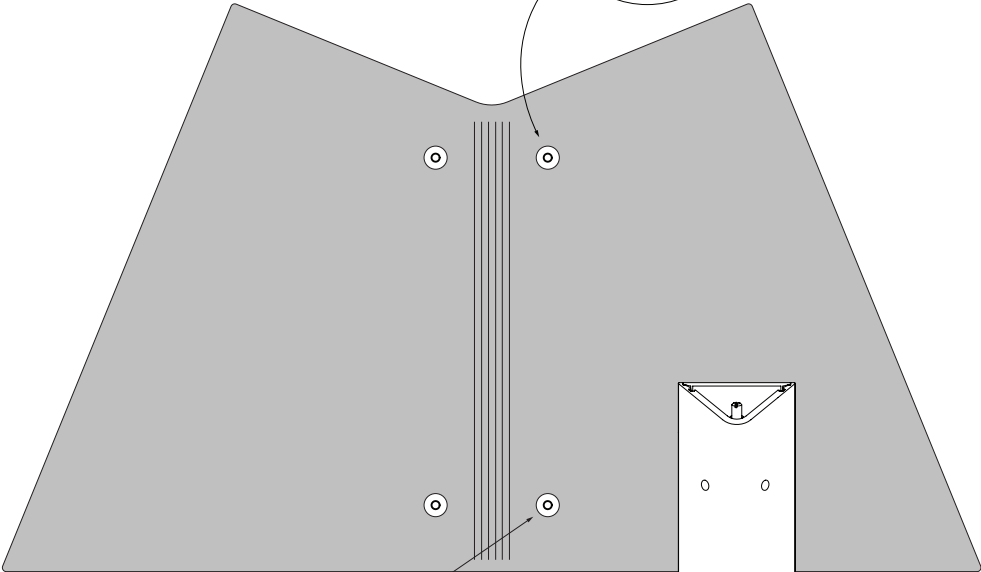
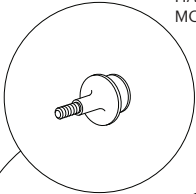
CORNER OFFICE

PANEL ASSEMBLY

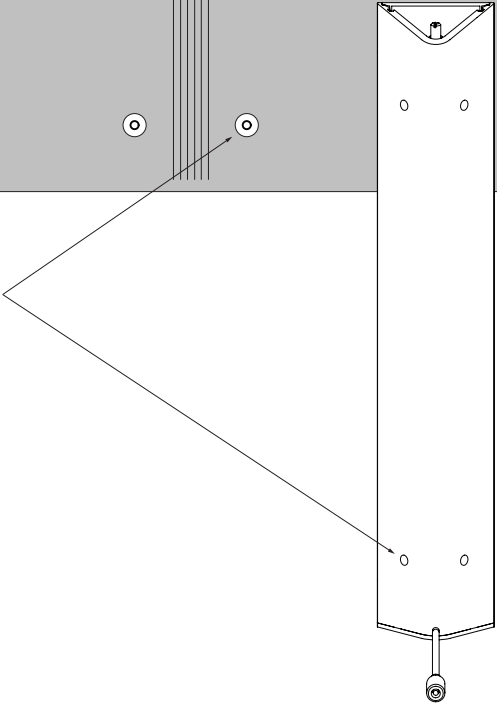
HARDWARE (x4)



HARDWARE COMES PRE MOUNTED TO PANELS.



HARDWARE PLACEMENT MATCHES HOLE PLACEMENT ON BACK OF LAMP TOWER.

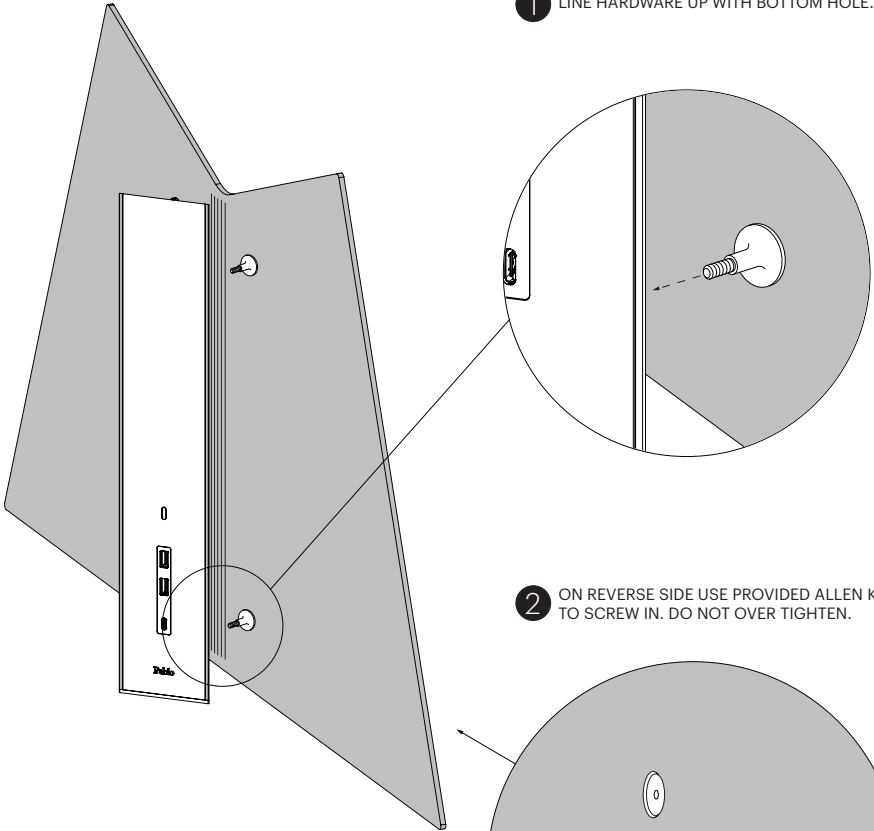


CORNER OFFICE

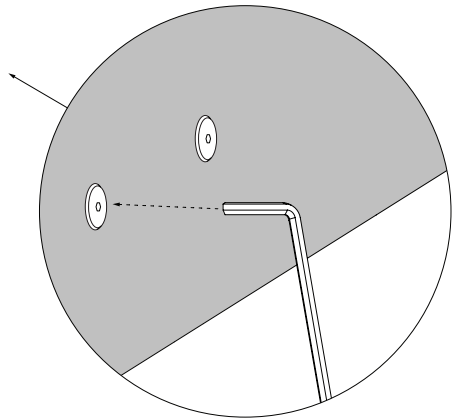
NOTE: STEPS ARE THE SAME FOR ALL PANEL SIZES

EITHER SIDE OF PANEL CAN BE USED.

1 LINE HARDWARE UP WITH BOTTOM HOLE.



2 ON REVERSE SIDE USE PROVIDED ALLEN KEY TO SCREW IN. DO NOT OVER TIGHTEN.



3 REPEAT STEPS 1-2. IN ORDER:

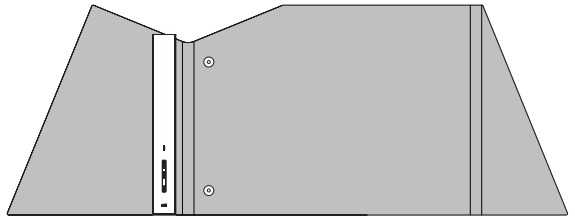
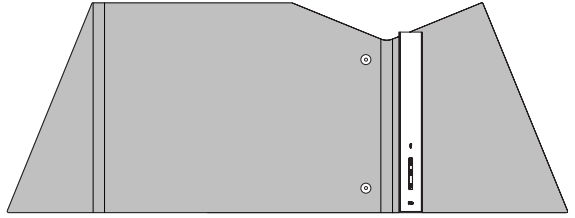
- 1) BOTTOM RIGHT HARDWARE
- 2) TOP RIGHT HARDWARE
- 3) BOTTOM LEFT HARDWARE
- 4) TOP LEFT HARDWARE

TO CHANGE PANEL ORIENTATION:
USE PROVIDED ALLEN KEY TO SEPERATE
SPACER AND SCREW FROM THE PANEL AND
REVERSE DIRECTION.

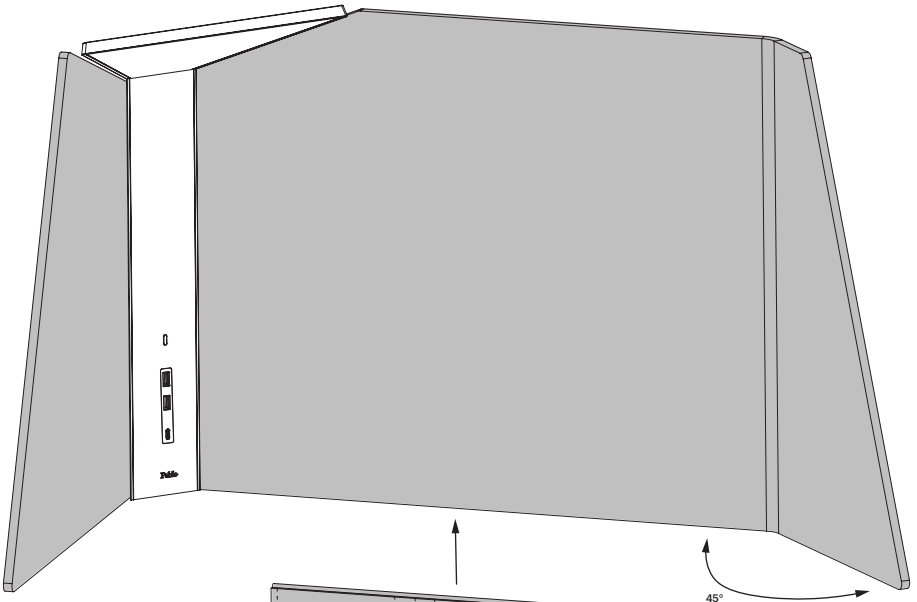
CORNER OFFICE

CORNER OFFICE POCKET AND ADJUSTMENTS

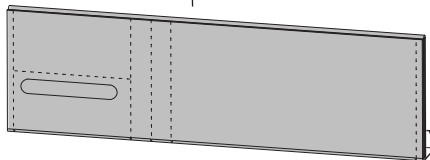
LARGE PANEL CAN BE ATTACHED
FACING RIGHT OR LEFT



POCKET ACCESSORY COMES STANDARD WITH 30" PANEL



1 SLIDE POCKET ONTO
PANEL



CORNER OFFICE

CORNER OFFICE CONFIGURATION OPTIONS

