

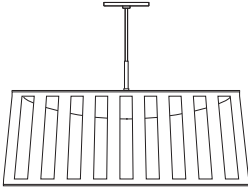
SOLIS DRUM

120/240V ASSEMBLY & INSTALLATION INSTRUCTIONS

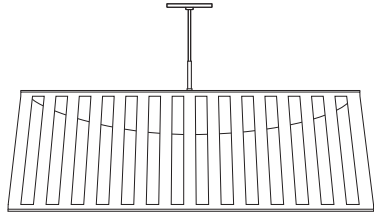
INFO@PABLODESIGNS.COM
888 MARIN STREET
SAN FRANCISCO, CA
94124

PABLODESIGNS.COM

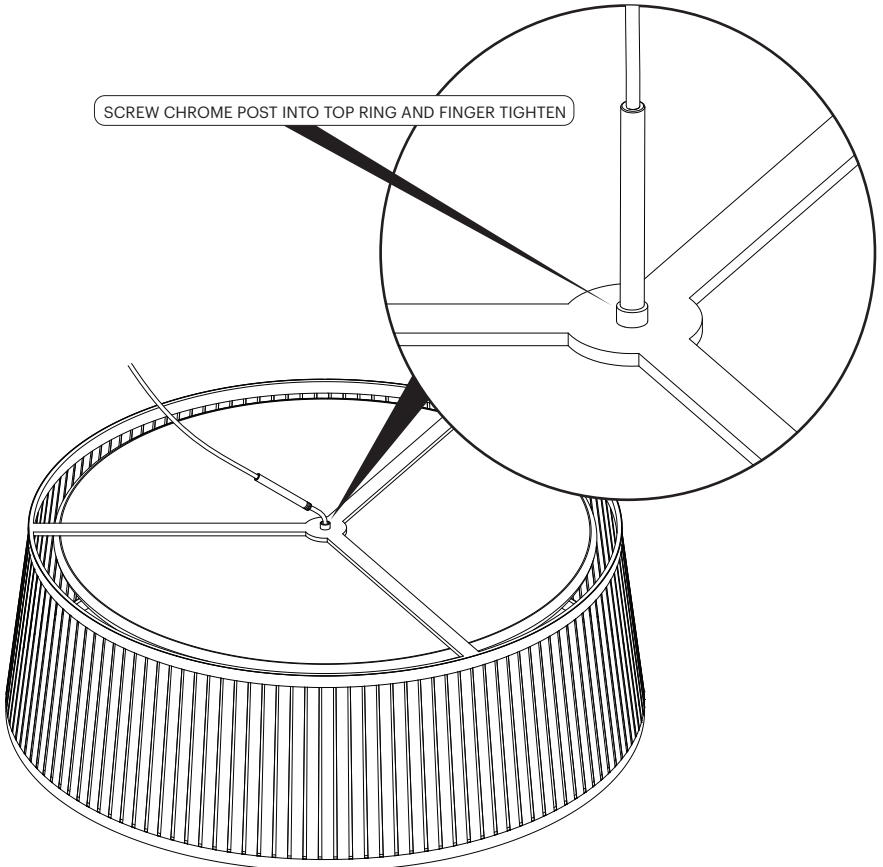
SOLIS DRUM



24" SOLIS DRUM



36" SOLIS DRUM



SOLIS DRUM

1. ROUTE CORD THROUGH COVER, CEILING MOUNT AND STRAIN RELIEF
2. SET STRAIN RELIEF TO DESIRED HEIGHT AND CUT CORD
3. CONNECT TO BUILDING WIRING USING INCLUDED CORD NUTS
4. SCREW CEILING MOUNT TO JBOX OR CEILING
5. SLIDE COVER UP TO CEILING, MAGNETS ON COVER WILL SNAP TO THE CEILING MOUNT

NOTE: BEFORE CUTTING, WRAP CORD WITH ELECTRICAL TAPE TO PREVENT THE FABRIC SLEEVE FROM FRAYING

BULB TYPE
HIGH POWERED LED ARRAY

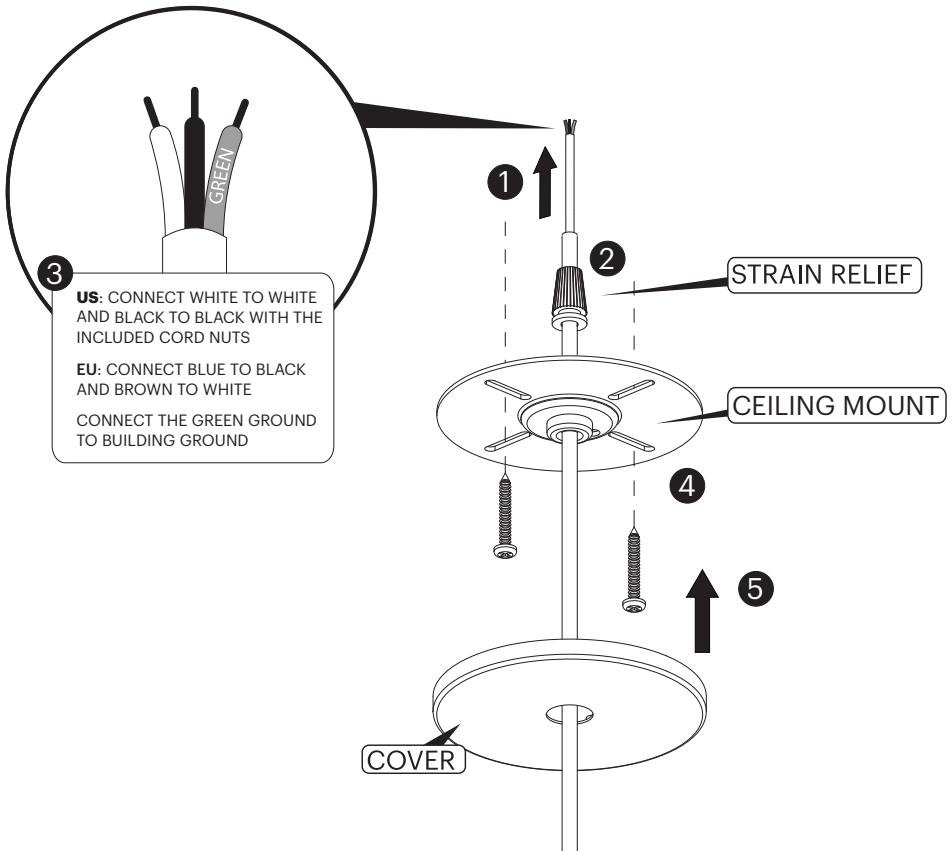
LENGTH OF CORD SUPPLIED
20FT (610CM)

CARE INSTRUCTIONS
WIPE CLEAN WITH A SOFT DAMP CLOTH.
AVOID AMMONIA-BASED CLEANERS.

FLUSH MOUNTED OPTION AVAILABLE
UPON REQUEST

**IMPORTANT: WE RECOMMEND FIXTURE
BE INSTALLED BY AN ELECTRICIAN**

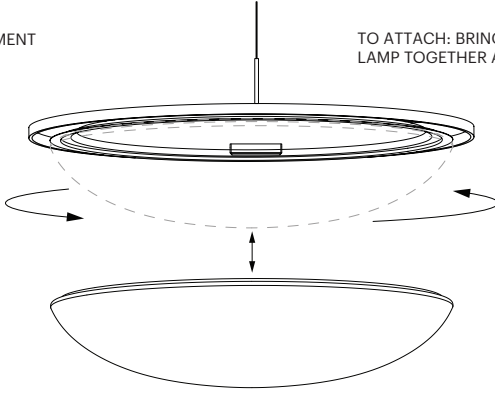
**FULL RANGE LIGHT CONTROL VIA TRIAC 120V
DIMMER (US) OR ELV DIMMER (EU)**



Pablo[®] SOLIS DRUM

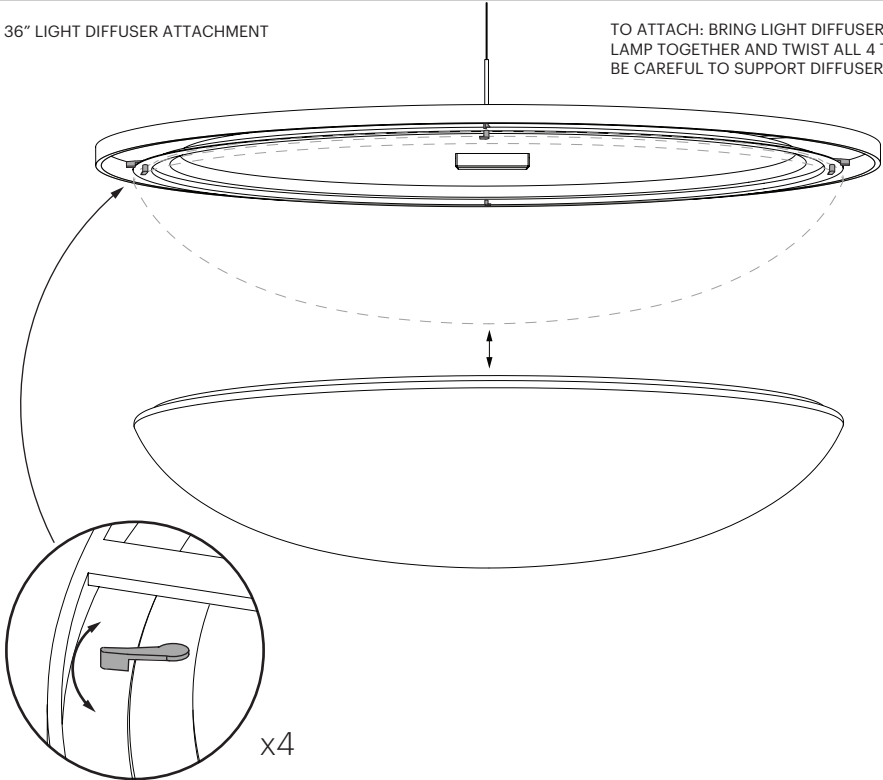
24" LIGHT DIFFUSER ATTACHMENT

TO ATTACH: BRING LIGHT DIFFUSER AND LAMP TOGETHER AND TWIST CLOCKWISE.



36" LIGHT DIFFUSER ATTACHMENT

TO ATTACH: BRING LIGHT DIFFUSER AND LAMP TOGETHER AND TWIST ALL 4 TABS. BE CAREFUL TO SUPPORT DIFFUSER.



**IMPORTANT: WE RECOMMEND FIXTURE
BE INSTALLED BY AN ELECTRICIAN**

BULB TYPE
HIGH POWERED LED ARRAY

CARE INSTRUCTIONS
WIPE CLEAN WITH A SOFT DAMP CLOTH.
AVOID AMMONIA-BASED CLEANERS.

SOLIS DRUM

FLUSH MOUNT

120/240V ASSEMBLY & INSTALLATION INSTRUCTIONS

INFO@PABLODESIGNS.COM
888 MARIN STREET
SAN FRANCISCO, CA
94124

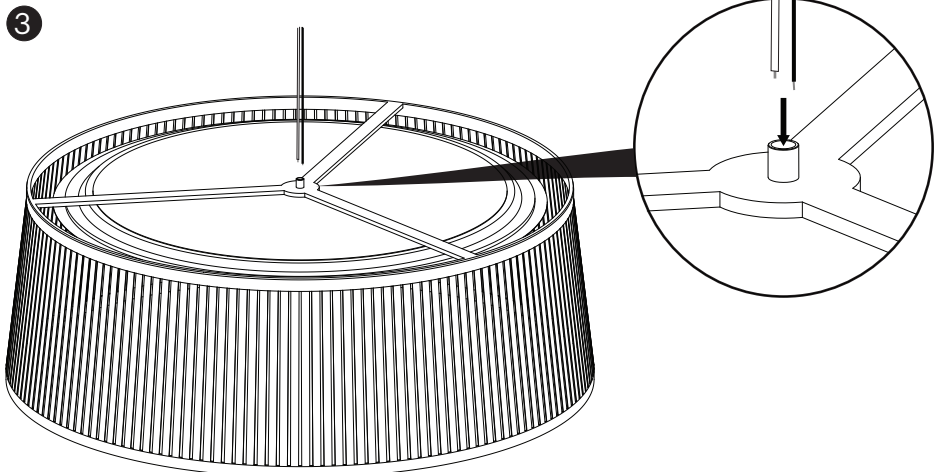
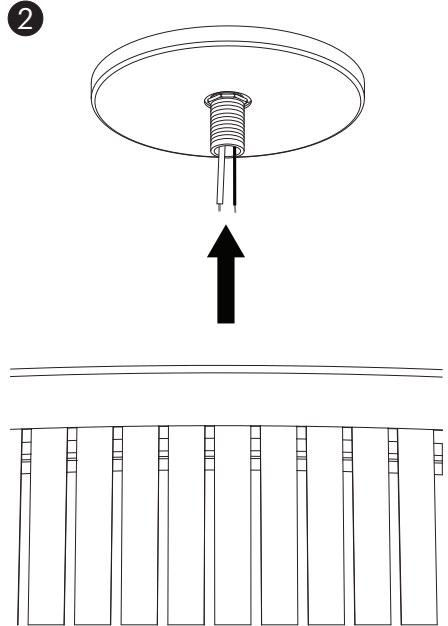
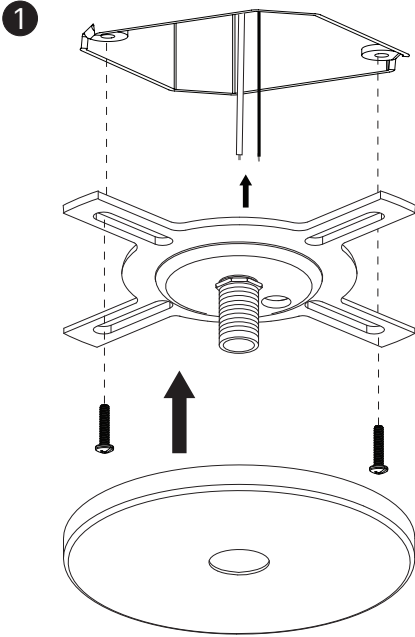
PABLODESIGNS.COM

Pablo®

SOLIS DRUM

FLUSH MOUNT

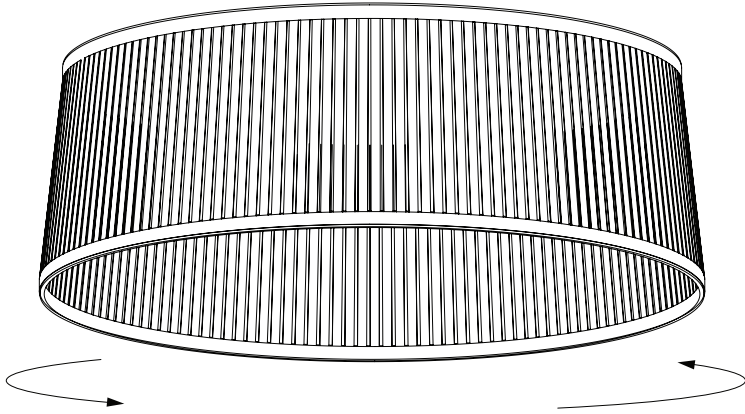
1. ATTACH MOUNTING PLATE TO JUNCTION BOX, PASSING BUILDING WIRES THROUGH CENTER TUBE
2. BRING SOLIS DRUM UP TO EXPOSED WIRING
3. FEED BUILDING WIRES THROUGH LAMP AT CENTER JUNCTION OF TOP RING
4. ROTATE LAMP ONTO MOUNTING PLATE TIGHTLY
5. MAKE SURE BUILDING WIRE IS HANGING BETWEEN DRIVERS
6. CONNECT BUILDING WIRES TO DRIVERS WIRE WITH WIRE NUTS
(**US:** BLACK TO BLACK AND WHITE TO WHITE. **EU:** BLUE TO BLACK AND BROWN TO WHITE)



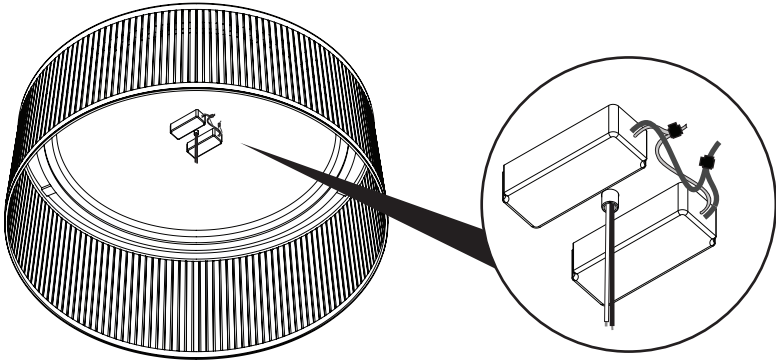
SOLIS DRUM

FLUSH MOUNT

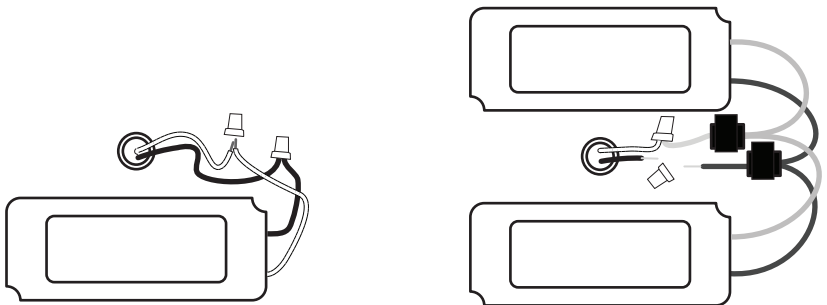
4



5

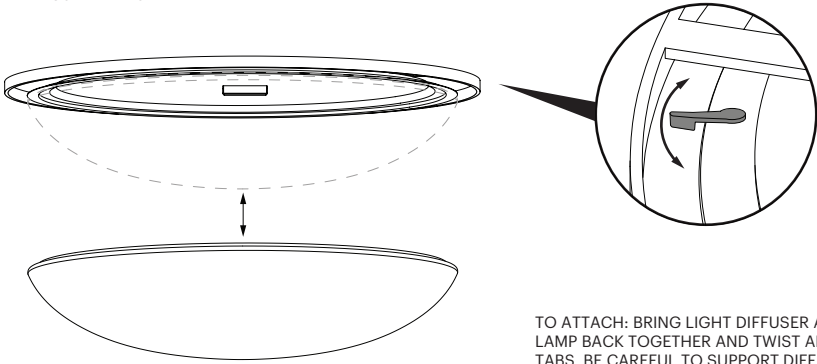


6

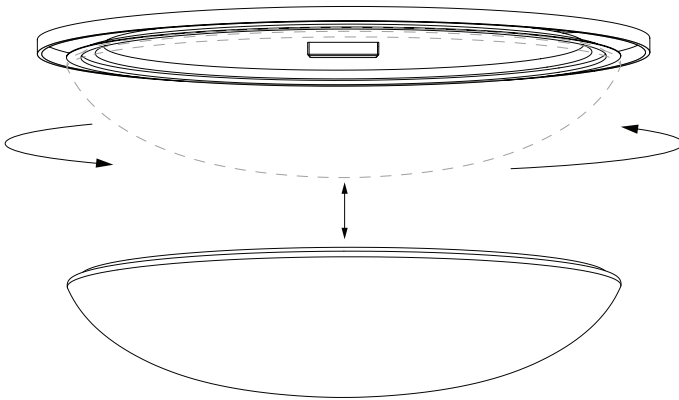


Pablo
SOLIS DRUM
FLUSH MOUNT

36" LIGHT DIFFUSER ATTACHMENT



24" LIGHT DIFFUSER ATTACHMENT



TO ATTACH: BRING LIGHT DIFFUSER AND LAMP BACK TOGETHER AND TWIST CLOCKWISE.

**IMPORTANT: WE RECOMMEND FIXTURE
BE INSTALLED BY AN ELECTRICIAN**

BULB TYPE
HIGH POWERED LED ARRAY

CARE INSTRUCTIONS
WIPE CLEAN WITH A SOFT DAMP CLOTH.
AVOID AMMONIA-BASED CLEANERS.