

REVELATION

by UTTERMOST

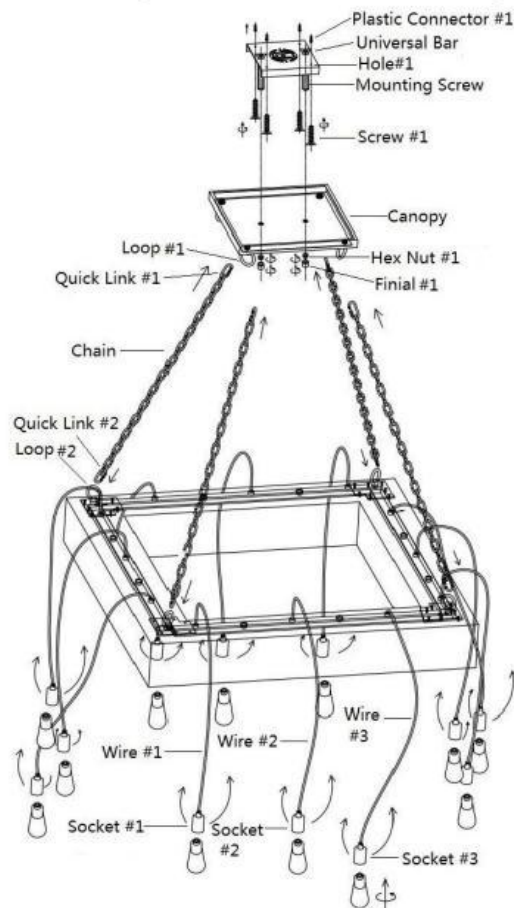
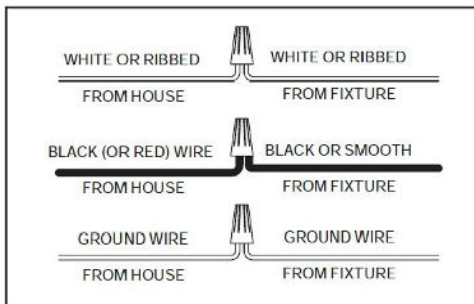
ASSEMBLY INSTRUCTIONS

STYLE#: R21311

WARNING: TO AVOID RISK OF ELECTRICAL SHOCK, BE SURE TO SHUT OFF POWER BEFORE INSTALLING OR SERVICING THIS FIXTURE.

Carefully unpack all lamp parts from carton. We suggest a licensed electrician for all fixture installations.

1. Take the lamp carefully out of the Carton, and place it on a flat surface. Take care NOT to break the Socket.
2. Be sure the power to the installation point is off. This lamp must be installed on reinforced **outlet box**.
3. Secure the **Plastic Connector #1** to the ceiling according to the position of **Hole #1** and secure other three **Plastic Connector** to the ceiling according to the position of other three Holes on the **Universal Bar**.
4. Thread **Screw #1** onto **Hole #1** upside and thread the other three **Screws** onto other three **Holes** the same way.
5. Thread the two **Mounting Screws** downside onto the bigger two holes on the **Universal Bar** and **Canopy**. Lock the **Canopy** with the two **Hex Nut**. Then put on the two decorated **Finials**.
6. Decide the height of **Chain** you like. Thread **Quick Link #1** into **Loop #1** on **Canopy**, then **Quick Link #2** into **Loop #2** on the top of the lamp body. Hand tighten until snug. Lock the other three Chains on the other three sides the same way.
7. Pull the wire from the **Canopy**, then the center hole in the **Universal Bar**. The power supply wire consists of three wires, one black wire, one white wire and one green ground wire.
8. Connect the wires as shown : A. Connect the House Gound Wire to the Fixture Ground Wire.
B. Connect the House White or Ribbed Wire to the Fixture Supply Wire (White or Ribbed Side).
C. Connect the House Black/Red Wire to the Fixtrue Supply Wire (Black or Smooth Side).
- D. Wrap each connected wire with Wire Nut and carefully stuff all of the connected wires into the Outlet Box.
9. Secure all the four Screws on the **Universal Bar** into the **Plastic Connectors**.
10. The **Wire** can be wound as you like, or you also can wind them as follows
A. Wind **Wire #1** counterclockwise one circle; B. Wind Socket #2 clockwise one circle;
C. Wind Socket #3 counterclockwise two circles; D. Wind the **Wires** on the
11. Install the correct **Bulbs** (Not Included) in the **Sockets** referring to fixture markings and/or labels for maximum wattage.



R21311