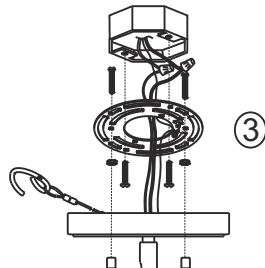


REVELATION

by UTTERMOST

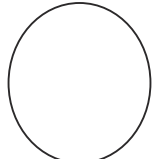
R21337

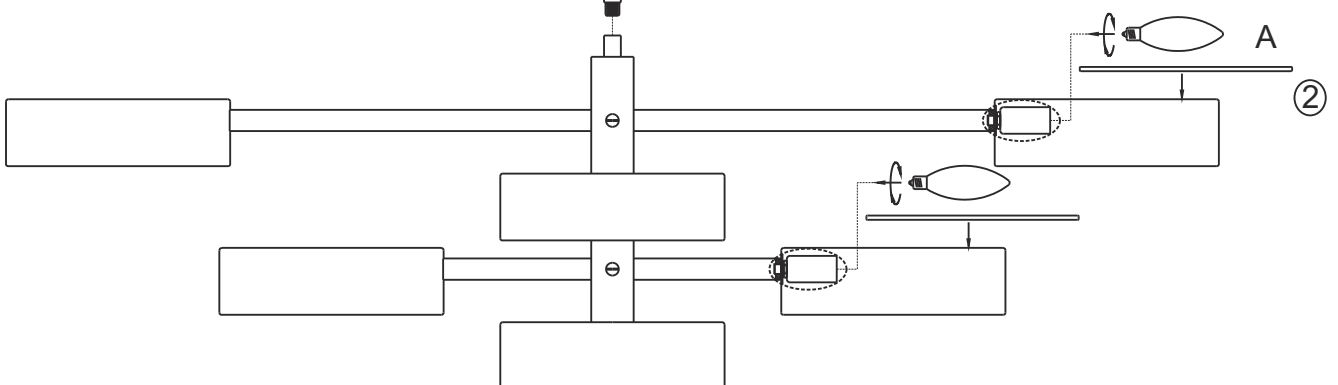


①

ASSEMBLY INSTRUCTIONS

1. Choose the suitable number of stems needed for your installation. Adjust length of wire needed for your installation, removing access. Thread wire through the stems and canopy.
2. Install the glass panel on the bottom of the metal ring.
3. Mount the fixture to the outlet box and connecting the wires refer the next page.
4. Install the bulbs. (Please do not exceed the maximum capacity recommended on the socket.)

A		Glass panel	x8
---	--	-------------	----



REVELATION

by UTTERMOST

NOTE: ALWAYS TURN POWER OFF BEFORE INSTALLING LIGHTING FIXTURES!

IMPORTANT: YOU SHOULD USE A QUALIFIED ELECTRICIAN TO INSTALL THIS FIXTURE.

Installation (see Fig.A & B)

1. Disconnect power at main electrical panel before installation.
2. A) Attach the **fixture screws** to the **mounting strap**, or **universal mounting plate** (whichever is provided). (Fig.A)
B) If the fixture uses a single 1/8" IPS **nipple** for mounting, thread the 1/8" IPS **hex nut** and **lock washer** onto the **nipple**, and screw the **nipple** into the **mounting strap**, without tightening the **hex nut**. (Fig.B)
3. Pull the **supply wires** out from the **outlet box**, and mount the **mounting strap** or the **universal mounting plate** to the **outlet box**, using **box screws**.

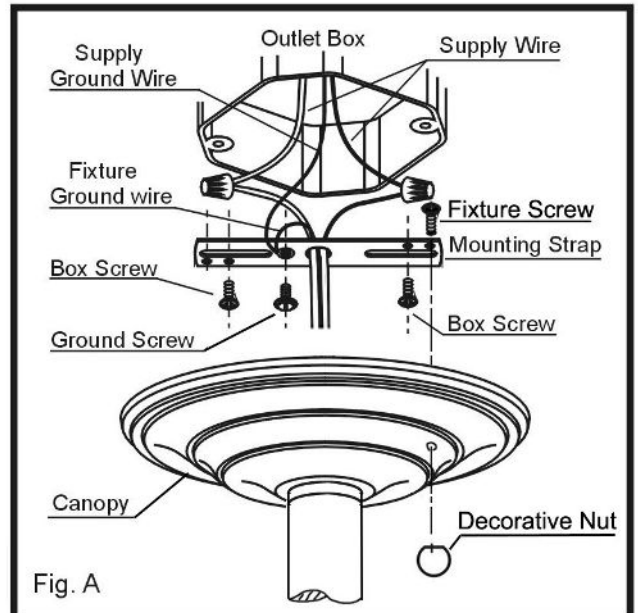


Fig. A

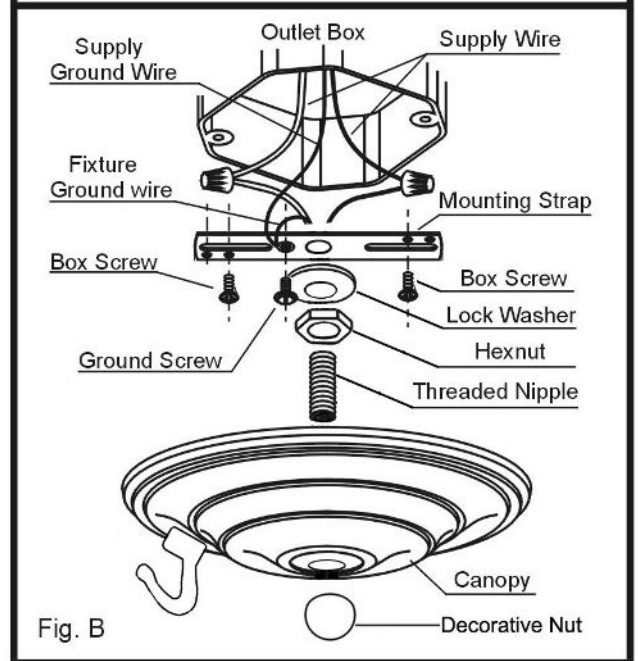


Fig. B

Wiring (see Fig.C)

4. Split the conductors of the **fixture wire** about 4 inches. Being careful not to expose any of the wire inside of the insulation.
5. Connect the **fixture ground wire** and the **outlet box ground wire** to **mounting strap** with GREEN hex-head **ground screw** to tapped hole in **mounting strap** marked "GND".
6. Connect the half of the **fixture wire** that is white, marked, or has a ribbed surface to the **outlet box supply wire** (WHITE). Connect the other half of the **fixture wire** that is black, unmarked, or has a smooth surface to the **outlet box supply wire** (BLACK or RED). Use **wirenuts** provided.
7. Spread the electrical splices so that the black wire are on one side of the **outlet box** and the white wire are on the other side.
8. Place the **canopy** on the fixture over the **outlet box** and onto the **fixture screws** (or **nipple**), and adjust the #8-32 **fixture screws** (or **nipple**) until they protrude out from the **canopy**. Remove the **canopy** and secure the position of the **fixture screws** (or **nipple**) by tightening the **hex nut** against the **mounting strap**. Place the **canopy** back onto the **fixture screws**, (or **nipple**), and secure into place using the **decorative nuts**.

Grounding Detail

Connect Black or Red House Wire to:	Connect White House Wire to:
Black	White
Parallel cord - SPT I & II (round & smooth)	Parallel cord - SPT I & II (square & ridged)
Clear, Brown, Gold or Black (without tracer)	Clear, Brown, Gold or Black (with tracer)
Insulated Wire (Other than GREEN) with copper conductor	Insulated Wire (Other than GREEN) with silver conductor

Fig. C