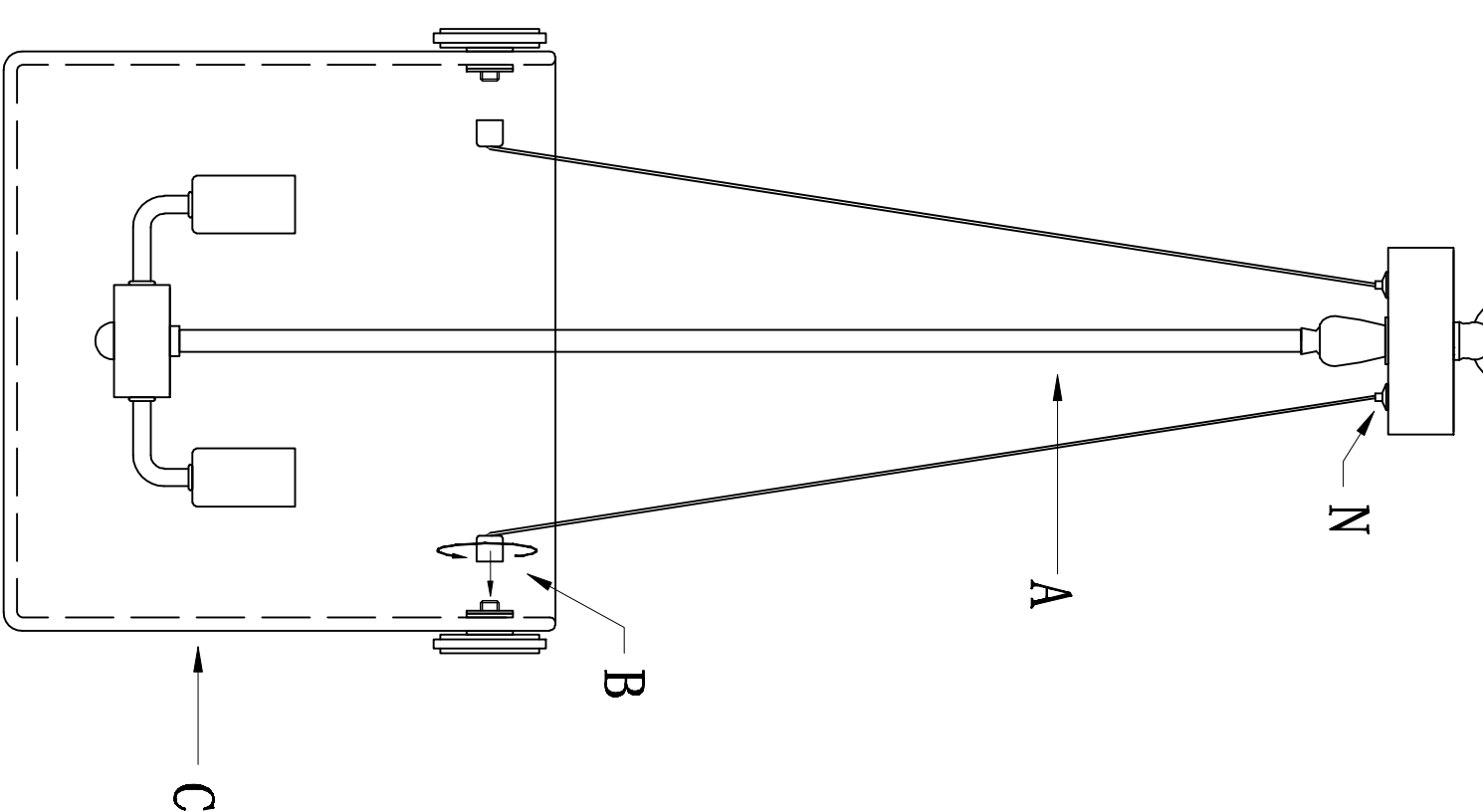
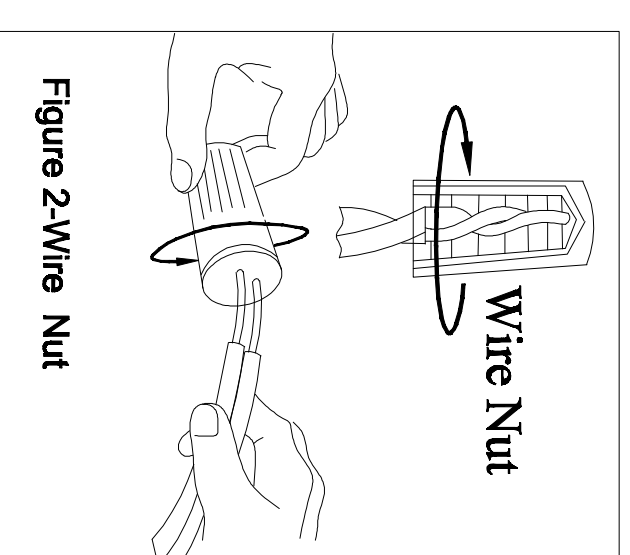
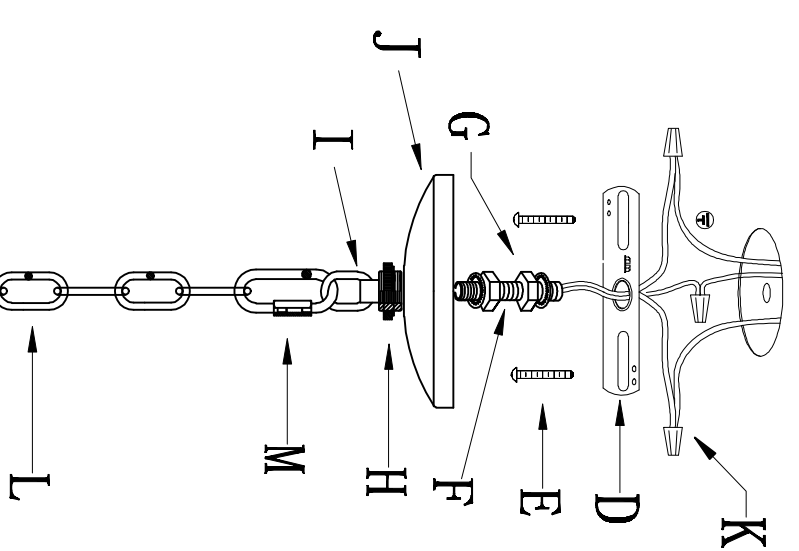
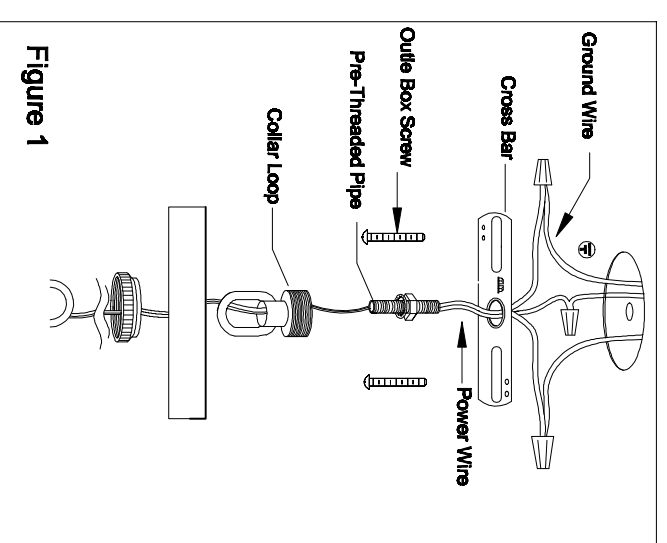


REVELATION

Assembly Instruction
by UTTERMOST

STYLE NO.:R22199



PO BOX 558/3325 GRASSY HILL RD. ROCKY MOUNT, VIRGINIA 24151
www.uttermost.com

REVELATION

by UTTERMOST

STYLE NO.: R22199

Parts and Hardware List

A.	Lamp body part A	1PC
B.	Brass screw cap	3PCS
C.	Glass Shade	1PC
D.	Cross Bar	1PC
E.	Outlet Box Screw	2PCS
F.	Pre-Threaded Pipe	1PC
G.	Hex Nut	2PCS
H.	Pre-Threaded Ring	1PC
I.	Collar Loop	1PC
J.	Canopy	1PC
K.	Wire Nut	3PCS
L.	Chain	1PC
M.	Quick Link	2PC
N.	Adjustment Fitting	3PCS

Please make sure that you have all the parts indicated before you begin assembling this item.

Please read wiring Instructions before you begin assembling and installing your Chandelier.

WARNING: BEFORE INSTALLING, make sure the electricity supply is shut off to avoid a possible electric shock.

Assembly Instruction

Carefully unpack all lamp parts from carton. We suggest a licensed electrician for all fixture installations.

1. Take the parts carefully out of the carton, and place them on a flat surface, make sure that the parts will not be damaged.
2. Attach the Lamp body part (A) to Glass Shade (C) and secure by Brass screw cap (B) in a clockwise direction.
3. Press the Adjustment Fitting (N) to adjust the height for wire rope.
4. Fasten the Cross Bar (D) to the outlet box by using the Outlet Box Screws.
5. Insert the shorter end of the Pre-Threaded Pipe (F) into the pre-drilled hole in the Cross Bar (D) and secure with the Hex Nut(G). (See illustration) Adjust the length of the wire & chain needed for your installation, remove excess.
6. Attach the Collar Loop (I) to the exposed end of the Pre-Threaded Pipe (F) and secure by turning in a clockwise direction.
7. Attach one Quick Link to the Chain, then slip the Pre-Threaded Ring (H) first and then the Canopy (J) over the other end of the Chain (L) to Collar Loop (I).
8. Attach the other Quick Link (M) on other end of the Chain (L) to the Loop on the top of the Chandelier Assembly.
9. Lace the wire through every link of the Chain, through the Collar and up through the Pre-Threaded Pipe(F). (See illustration)
10. Connect the fixture ground wire with building's ground wire by using wire nut.
11. Place the white, ribbed or tinted wire evenly against the white wire from the outlet box and place the black, smooth or un-tinted wire evenly against the black wire from the outlet box (Connecting the Wires - See Figure 2)
12. After the wires are connected, tuck them carefully inside the outlet box. Place the Canopy (J) over the outlet box and secure with Pre-Threaded Ring (H).
13. Install 60 Watt, Type B bulbs (sold separately) into the sockets of the fixture.

Your installation is complete. Turn electrical power back ON.

PO BOX 558/3325 GRASSY HILL RD. ROCKY MOUNT, VIRGINIA 24151
www.uttermost.com