



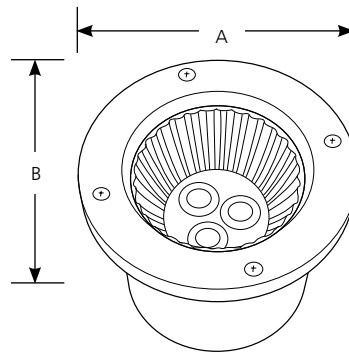
solid state

### LED well Light

Landscape

Type \_\_\_\_\_  
-31  
P5295

Catalog No.	Finish Black	Lamping	Dimensions (Inches)	
			A	B
P5295	-31	3w LED lamp (included)	5	4



#### Specifications:

##### General

- Glass lens
- Dusk-to-dawn property enhancement and security
- Use for accent lighting of building facade, trees, statues and small flag poles
- 3w total for 3-1w LEDs
- Epoxy powder paint Black (-31) finish
- Die-cast aluminum construction
- Provides a powerful flood beam to 20'
- Equivalent to 20w MR16 BAB Flood

##### Mounting

- Deck mount, 4' fixture cable and connector wiring included

##### Light Engine

- CCT: 3000K

##### Electrical

- 48" of wire to connect to feeder
- Pre-wired
- Use with P8270-31 Transformer

##### Labeling

- UL/CUL Wet location listed

Progress Lighting  
701 Millennium Blvd.  
Greenville, South Carolina  
29607

www.progresslighting.com

Rev. 04/14