

Z-1030 LED

Wall Mounted • Wet Location Listed PROGRESS LED



Description:

A modern medium outdoor LED sconce with an architectural-inspired open linear frame and clear glass diffuser. Finished in Antique Bronze.

Specifications:

- Clear glass Diffuser
- A modern outdoor LED sconce.
- LED source provides energy efficient source with low maintenance and cost savings benefits
- Features an architectural-inspired open linear frame and clear glass diffuser
- Antique Bronze Finish
- 624 lumens 66 lumens/watt per module (source)
- 3000K color temperature, 90+ CRI.
- Meets California Title 24 - JA8 - 2016.
- Dimmable to 10% brightness (See Dimming Notes)
- Back plate covers a standard 4" recessed outlet box: 4.75 in W., 1 in ht., 4.75 in depth
- Mounting strap for outlet box included
- 6 in of wire supplied

Performance:

Number of Modules	1
Input Power	9 W
Input Voltage	120 V
Input Frequency	60 Hz
Lumens/LPW (Source)	624/66 (LM-82)
Lumens/LPW (Delivered)	309/32.9 (LM-79)
CCT	3000 K
CRI	90+
Life (hours)	60000 (L70/TM-21)
EMI/RFI	Meets FCC Title 47, Part 15 Class B
Max. Operating Temp	30° C
Warranty	5-year Limited Warranty
Labels	cCSAus Wet Location Listed
	ENERGY STAR® qualified
	Meets California Title 24 JA8-2016

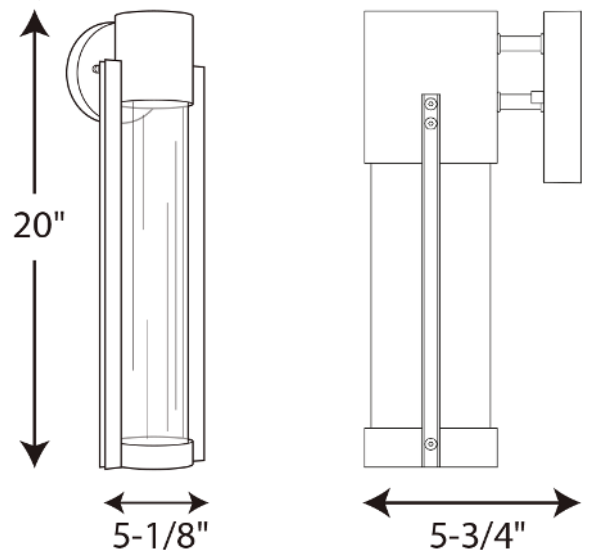
P560056-020-30



Dimensions:

Width: 5-1/8 in
 Height: 20 in
 Depth: 5-3/4 in
 H/CTR: 2-1/4 in

Clear glass Diffuser
 Width: 3-1/8 in
 Height: 16-5/16 in



Photometrics:

P560056-020-30

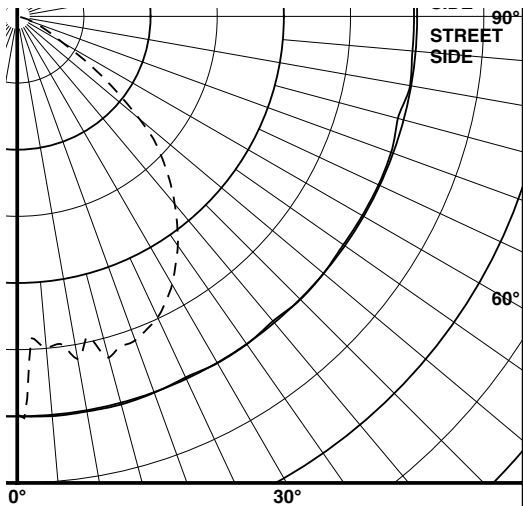
ELECTRICAL DATA	P560056-020-30
Input Voltage	120 V
Input Frequency	60 Hz
Input Current	0.075 A
Power Factor	Greater than 0.90
THD	<20%
EMI/RFI	Meets FCC Title 47, Part 15 Class B
Operating Temperature	-30 °C
Dimming	Yes*

Over-voltage, over-current, short-circuit protected

*See Dimming Notes for more information

P560056-020-30

LED Light Engine: 3000 K 90+
System Wattage: 9
Fixture delivered lumens: 309
Fixture Efficacy: 32.9
Spacing Criteria:



ZONAL LUMEN	SUMMARY
0-5	3
5-10	9
10-15	14
15-20	20
20-25	24
25-30	28
30-35	30
35-40	30
40-45	28
45-50	25
50-55	19
55-60	11
60-65	6
65-70	3
70-75	2
75-80	1
80-85	0
85-90	0

Test 16.03583 Test Date 01/04/17

P560056-020-30

Dimming Notes:

P560056-020-30 is designed to be compatible with many Triac/Forward Phase ELV/Reverse Phase controls.

The following is a partial list of known compatible dimmer controls.

Dimming Controls:

Lutron_Diva DVELV-300P

Lutron_Nova T NTELV-300

Lutron_Caseta

Lutron_Ariadni AY-600P

Leviton_Illumatech IPI06-1LZ

Leviton_SureSlide 6672

Lutron_Ariadni AYCL-153P

Lutron_Skylark Contour CTCL-153P

Lutron_Diva DVCL-153P

Lutron_Toggler TGCL-153P

Lutron_Maestro MACL-153M

Lutron_Ariadni AYLV-600P

Lutron_Nova T NTLV-600

Lutron_Maestro MAELV-600

Lutron_spacer/system SPSELV-600

Leviton_Renoir II AWRMG-EAW

Lutron_Nova N-600

Dimming capabilities will vary depending on the dimmer control, load, and circuit installation.

Always refer to dimmer manufacturer instructions or a controls specialist for specific requirements.

Dimmer control brand names where identified above are trade names or registered trademarks of each respective company.