

## Z-1070 LED

Wall Mounted Vertical Only • Wet Location Listed

PROGRESS LED



### Description:

Enjoy the tranquil experience and the transformational environment created by this LED outdoor sconce. The acrylic shades are the hallmark of this simple, sophisticated design that can be installed in both indoor and outdoor locations. The shades are held in place by a simple metal bar with a classic black finish. Vertical mounted only.

### Specifications:

- White acrylic Diffuser
- The acrylic shades are the hallmark of this simple, sophisticated design that can be installed in both indoor and outdoor locations.
- The shades are held in place by a simple metal bar with a classic black finish.
- Enjoy the tranquil experience and the transformational environment created by this LED outdoor sconce.
- Ideal for any foyer, bedroom, entryway, porch, or patio.
- Perfect for transitional, modern, or contemporary settings.
- Measures 6-inch width by 23-1/8-inch height.
- Uses two integrated LED (11w max).
- Compatible with many Triac/ELV dimmers (see dimming controls)
- Includes installation instructions and mounting hardware.
- Progress Lighting products are designed for exceptional quality, reliability, and functionality.
- Dimmable to 10% brightness (See Dimming Notes)
- Canopy covers a standard 4" recessed outlet box: 4.75 in W., 20.875 in ht., 0.5625 in depth
- Mounting backplate for outlet box included
- 6 in of wire supplied
- Americans With Disabilities Act (ADA) compliant

### Performance:

Number of Modules	2
Input Power	11 W
Input Voltage	120 V
Input Frequency	60 Hz
Lumens/LPW (Delivered)	1,019/46 (LM-79)
CCT	3000 K
CRI	90 CRI
Life (hours)	54000 (L70/TM-21)
EMI/RFI	FCC Title 47, Part 15, Class B
Warranty	5-year Limited Warranty
Labels	cCSAus Wet Location Listed
	ENERGY STAR® qualified
	Meets California Title 24 JA8-2019

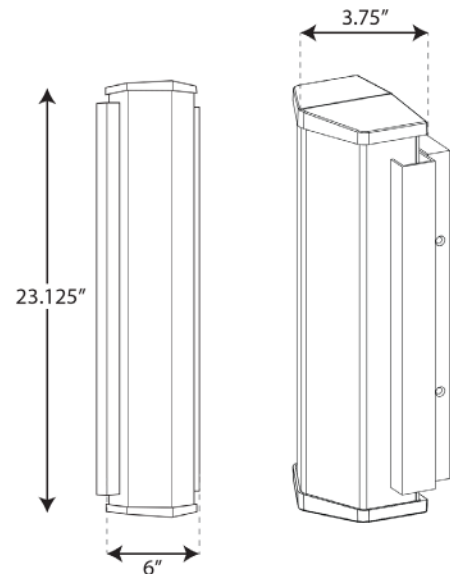
## P560209-031-30



### Dimensions:

Width: 6 in  
Height: 23-1/8 in  
Depth: 3-3/4 in  
H/CTR: 11-9/16 in

White acrylic Diffuser  
Width: 4-7/16 in  
Height: 22-9/16 in



**Dimming Notes:**

---

P560209-031-30 is designed to be compatible with many Triac/ELV controls.

The following is a partial list of known compatible dimmer controls.

**Dimming Controls:**

---

Leviton IPI06-1LZ

Leviton 6674

Lutron NTEVL-300

Lutron DVELV-300P

Lutron AYCL-153P

Dimming capabilities will vary depending on the dimmer control, load, and circuit installation.

Always refer to dimmer manufacturer instructions or a controls specialist for specific requirements.

Dimmer control brand names where identified above are trade names or registered trademarks of each respective company.

**P560209-031-30**