

## Cylinders

Wall Mounted • Wet Location Listed PROGRESS LED



### Description:

Sleek, 3" LED cylindrical wall lantern with downlight in elegant Satin Nickel finish. Die-cast aluminum wall brackets and heavy-duty aluminum framing. Fade and chip-resistant. UL listed for wet locations. Can be used indoor or outdoor.

### Specifications:

- Clear glass lens
- 3" LED wall mount downlight cylinder
- This sleek, contemporary cylinder is ideal for indoor or outdoor applications
- A Satin Nickel finish complements a variety of exteriors
- Warm white, 3000K, color temperature, 90 CRI
- 903 lumens, 75 lumens per watt (delivered)
- Die Cast Aluminum construction with durable powder coated finish
- Dimmable to 10% brightness with many Forward Phase (Triac) and Reverse Phase (ELV) dimmers
- Energy Star Qualified
- Meets California T24 JA8-2016.
- Dimmable to 10% brightness (See Dimming Notes)
- Back plate covers a standard 4" recessed outlet box: 4.4375 in W., 4.4375 in ht., 1.015 in depth
- Mounting strap for outlet box included
- 6 in of wire supplied

### Performance:

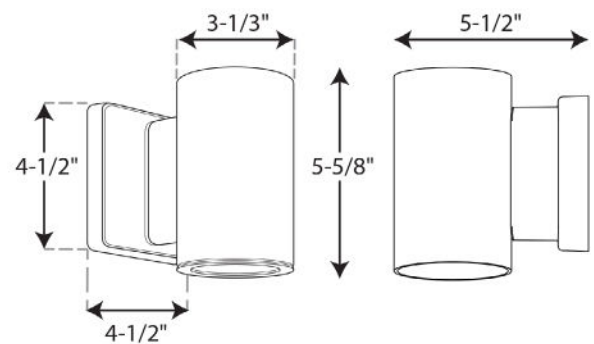
Number of Modules	1
Input Power	12 W
Input Voltage	120 V
Input Frequency	60 Hz
Lumens/LPW (Delivered)	903/75 (LM-79)
CCT	3000 K
CRI	90 CRI
Life (hours)	50000 (L70/TM-21)
EMI/RFI	FCC Title 47, Part 15, Class B
Max. Operating Temp	40 °C
Warranty	5-year Limited Warranty
Labels	CSA Wet Location Listed
	ENERGY STAR® qualified
	Meets California Title 24 JA8-2016

## P563000-147-30K



### Dimensions:

Width: 4-1/2 in  
Height: 5-5/8 in  
Depth: 5-1/2 in  
H/CTR: 3 in



**Photometrics:**

# P563000-147-30K

<b>ELECTRICAL DATA</b>	<b>P563000-147-30K</b>
Input Voltage	120 V
Input Frequency	60 Hz
Input Current	0.099 A
THD	<20%
EMI/RFI	FCC Title 47, Part 15, Class B
Operating Temperature	-10 °C
Dimming	Yes*
Over-voltage, over-current, short-circuit protected	
*See Dimming Notes for more information	

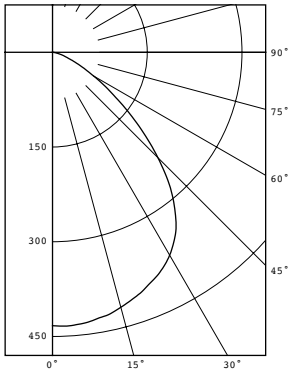
**P563000-147-30K**  
 LED Light Engine: 3000 K 90 CRI  
 System Wattage: 12  
 Fixture delivered lumens: 903  
 Fixture Efficacy: 75  
 Spacing Criteria: 1.26

**CANDELA DISTRIBUTION**

DEG	CANDELA	LUMENS
0	433	
5	433	41
15	418	118
25	391	180
35	341	211
45	236	181
55	118	108
65	45	46
75	14	15
85	2	3
90	0	

**ZONAL LUMEN SUMMARY**

ZONE	LUMENS	%FIXT
0-30	339	37.6
0-40	550	60.9
0-60	839	92.9
0-90	903	100.0
90-180	0	0.0
0-180	903	100.0



Test 17.02585 Test Date 09/21/17



# P563000-147-30K

## Dimming Notes:

---

P563000-147-30K is designed to be compatible with many Triac/Forward Phase ELV/Reverse Phase controls.

The following is a partial list of known compatible dimmer controls.

## Dimming Controls:

---

Lutron\_Diva DVELV-300P

Lutron\_Caseta Wireless

Leviton\_SureSlide 6672

Lutron\_Ariadni AYCL-153P

Lutron\_Toggler TGCL-153PH-WH

Dimming capabilities will vary depending on the dimmer control, load, and circuit installation.

Always refer to dimmer manufacturer instructions or a controls specialist for specific requirements.

Dimmer control brand names where identified above are trade names or registered trademarks of each respective company.