

Cylinders

Wall Mounted • Wet Location Listed PROGRESS LED



Description:

Sleek, 3" LED cylindrical wall lantern with up/downlight in elegant White finish. Die-cast aluminum wall brackets and heavy-duty aluminum framing. Fade and chip-resistant. UL listed for wet locations. Can be used indoor or outdoor.

Specifications:

- Clear glass lens
- 3" LED wall mount up/downlight cylinder
- This sleek, contemporary cylinder is ideal for indoor or outdoor applications
- A White finish complements a variety of exteriors
- Warm white, 3000K, color temperature, 90 CRI
- 2040 lumens, 85 lumens per watt (delivered)
- Die Cast Aluminum construction with durable powder coated finish
- Dimmable to 10% brightness with many Forward Phase (Triac) and Reverse Phase (ELV) dimmers
- Energy Star Qualified
- Meets California T24 JA8-2016.
- Dimmable to 10% brightness (See Dimming Notes)
- Back plate covers a standard 4" recessed outlet box: 4.378 in W., 4.378 in ht., 0.86 in depth
- Mounting strap for outlet box included
- 6 in of wire supplied

Performance:

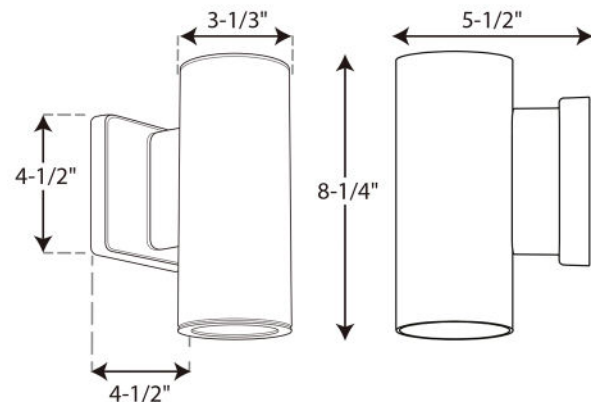
Number of Modules	2
Input Power	12 W
Input Voltage	120 V
Input Frequency	60 Hz
Lumens/LPW (Delivered)	2,040/85 (LM-79)
CCT	3000 K
CRI	90 CRI
Life (hours)	50000 (L70/TM-21)
EMI/RFI	FCC Title 47, Part 15, Class B
Max. Operating Temp	40 °C
Warranty	5-year Limited Warranty
Labels	CSA Wet Location Listed
	ENERGY STAR® qualified
	Meets California Title 24 JA8-2016

P563001-030-30K



Dimensions:

Width: 4-1/2 in
 Height: 8-1/4 in
 Depth: 5-1/2 in
 H/CTR: 5 in

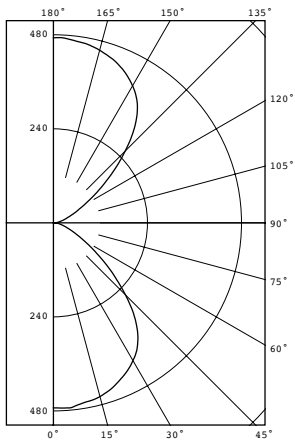


Photometrics:

P563001-030-30K

ELECTRICAL DATA	P563001-030-30K
Input Voltage	120 V
Input Frequency	60 Hz
Input Current	0.204 A
THD	<20%
EMI/RFI	FCC Title 47, Part 15, Class B
Operating Temperature	-10 °C
Dimming	Yes*
Over-voltage, over-current, short-circuit protected	
*See Dimming Notes for more information	

P563001-030-30K
 LED Light Engine: 3000 K 90 CRI
 System Wattage: 24
 Fixture delivered lumens: 2040
 Fixture Efficacy: 85
 Spacing Criteria: 1.27



CANDELA DISTRIBUTION

DEG	CANDELA	LUMENS
0	472	
5	474	45
15	459	129
25	428	197
35	375	233
45	260	200
55	134	122
65	58	59
75	25	27
85	9	10
90	0	
95	10	10
105	25	27
115	59	60
125	135	122
135	259	199
145	373	231
155	427	197
165	456	129
175	470	45
180	472	

ZONAL LUMEN SUMMARY

ZONE	LUMENS	%FIXT
0-30	372	18.2
0-40	604	29.6
0-60	926	45.4
0-90	1022	50.1
90-120	96	4.7
90-130	218	10.7
90-150	648	31.8
90-180	1018	49.9
0-180	2040	100.0

Test 17.02587 Test Date 09/22/17

P563001-030-30K

Dimming Notes:

P563001-030-30K is designed to be compatible with many Triac/Forward Phase ELV/Reverse Phase controls.

The following is a partial list of known compatible dimmer controls.

Dimming Controls:

Lutron_Diva DVELV-300P

Lutron_Caseta Wireless

Leviton_SureSlide 6672

Lutron_Ariadni AYCL-153P

Lutron_Toggler TGCL-153PH-WH

Dimming capabilities will vary depending on the dimmer control, load, and circuit installation.

Always refer to dimmer manufacturer instructions or a controls specialist for specific requirements.

Dimmer control brand names where identified above are trade names or registered trademarks of each respective company.