

Cylinders

Wall Mounted • Wet Location Listed PROGRESS LED



Description:

Sleek, 3" LED cylindrical wall lantern with up/downlight in elegant Graphite finish.. Die-cast aluminum wall brackets and heavy-duty aluminum framing. Fade and chip-resistant. UL listed for wet locations. Can be used indoor or outdoor.

Specifications:

- Clear glass lens
- 3" LED wall mount up/downlight cylinder
- This sleek, contemporary cylinder is ideal for indoor or outdoor applications
- A Graphite finish complements a variety of exteriors
- Warm white, 3000K, color temperature, 90 CRI
- 1766 lumens, 73 lumens per watt (delivered)
- Die Cast Aluminum construction with durable powder coated finish
- Dimmable to 10% brightness with many Forward Phase (Triac) and Reverse Phase (ELV) dimmers
- Energy Star Qualified
- Meets California T24 JA8-2016.
- Dimmable to 10% brightness (See Dimming Notes)
- Back plate covers a standard 4" recessed outlet box: 4.378 in W., 4.378 in ht., 0.86 in depth
- Mounting strap for outlet box included
- 6 in of wire supplied

Performance:

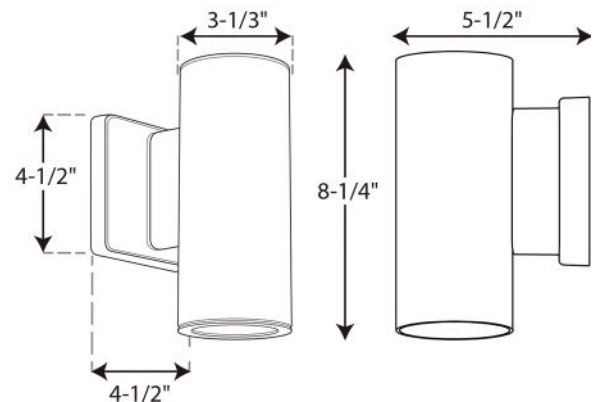
| | |
|------------------------|------------------------------------|
| Number of Modules | 2 |
| Input Power | 12 W |
| Input Voltage | 120 V |
| Input Frequency | 60 Hz |
| Lumens/LPW (Delivered) | 1,766/73 (LM-79) |
| CCT | 3000 K |
| CRI | 90 CRI |
| Life (hours) | 50000 (L70/TM-21) |
| EMI/RFI | FCC Title 47, Part 15, Class B |
| Max. Operating Temp | 40 °C |
| Warranty | 5-year Limited Warranty |
| Labels | CSA Wet Location Listed |
| | ENERGY STAR® qualified |
| | Meets California Title 24 JA8-2016 |

P563001-143-30K



Dimensions:

Width: 4-1/2 in
 Height: 8-1/4 in
 Depth: 5-1/2 in
 H/CTR: 5 in

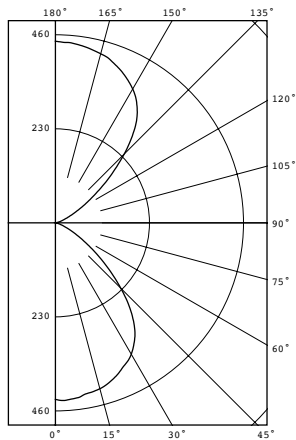


Photometrics:

| | |
|---|--------------------------------|
| ELECTRICAL DATA | P563001-143-30K |
| Input Voltage | 120 V |
| Input Frequency | 60 Hz |
| Input Current | 0.202 A |
| THD | <20% |
| EMI/RFI | FCC Title 47, Part 15, Class B |
| Operating Temperature | -10 °C |
| Dimming | Yes* |
| Over-voltage, over-current, short-circuit protected | |
| *See Dimming Notes for more information | |

P563001-143-30K

P563001-143-30K
 LED Light Engine: 3000 K 90 CRI
 System Wattage: 24
 Fixture delivered lumens: 1766
 Fixture Efficacy: 73
 Spacing Criteria: 1.26



CANDELA DISTRIBUTION

| DEG | CANDELA | LUMENS |
|-----|---------|--------|
| 0 | 432 | |
| 5 | 433 | 41 |
| 15 | 420 | 118 |
| 25 | 390 | 180 |
| 35 | 339 | 210 |
| 45 | 226 | 174 |
| 55 | 105 | 96 |
| 65 | 35 | 36 |
| 75 | 9 | 10 |
| 85 | 1 | 1 |
| 90 | 0 | |
| 95 | 1 | 1 |
| 105 | 10 | 12 |
| 115 | 38 | 40 |
| 125 | 112 | 102 |
| 135 | 238 | 182 |
| 145 | 348 | 216 |
| 155 | 399 | 184 |
| 165 | 428 | 121 |
| 175 | 442 | 42 |
| 180 | 444 | |

ZONAL LUMEN SUMMARY

| ZONE | LUMENS | %FIXT |
|--------|--------|-------|
| 0-30 | 340 | 19.2 |
| 0-40 | 550 | 31.1 |
| 0-60 | 819 | 46.4 |
| 0-90 | 866 | 49.0 |
| 90-120 | 53 | 3.0 |
| 90-130 | 155 | 8.8 |
| 90-150 | 553 | 31.3 |
| 90-180 | 900 | 51.0 |
| 0-180 | 1766 | 100.0 |

Test 17.02588 Test Date 09/22/17

**Dimming Notes:**

P563001-143-30K is designed to be compatible with many Triac/Forward Phase ELV/Reverse Phase controls.

The following is a partial list of known compatible dimmer controls.

Dimming Controls:

Lutron_Diva DVELV-300P

Lutron_Caseta Wireless

Leviton_SureSlide 6672

Lutron_Ariadni AYCL-153P

Lutron_Toggler TGCL-153PH-WH

Dimming capabilities will vary depending on the dimmer control, load, and circuit installation.

Always refer to dimmer manufacturer instructions or a controls specialist for specific requirements.

Dimmer control brand names where identified above are trade names or registered trademarks of each respective company.

P563001-143-30K