

Cylinders

Wall Mounted • Wet Location Listed PROGRESS LED



Description:

Sleek, 3" LED cylindrical wall lantern with up/downlight in elegant Satin Nickel finish. Die-cast aluminum wall brackets and heavy-duty aluminum framing. Fade and chip-resistant. UL listed for wet locations. Can be used indoor or outdoor.

Specifications:

- Clear glass lens
- 3" LED wall mount up/downlight cylinder
- This sleek, contemporary cylinder is ideal for indoor or outdoor applications
- A Satin Nickel finish complements a variety of exteriors
- Warm white, 3000K, color temperature, 90 CRI
- 1798 lumens, 75 lumens per watt (delivered)
- Die Cast Aluminum construction with durable powder coated finish
- Dimmable to 10% brightness with many Forward Phase (Triac) and Reverse Phase (ELV) dimmers
- Energy Star Qualified
- Meets California T24 JA8-2016.
- Dimmable to 10% brightness (See Dimming Notes)
- Back plate covers a standard 4" recessed outlet box: 4.378 in W., 4.378 in ht., 0.86 in depth
- Mounting strap for outlet box included
- 6 in of wire supplied

Performance:

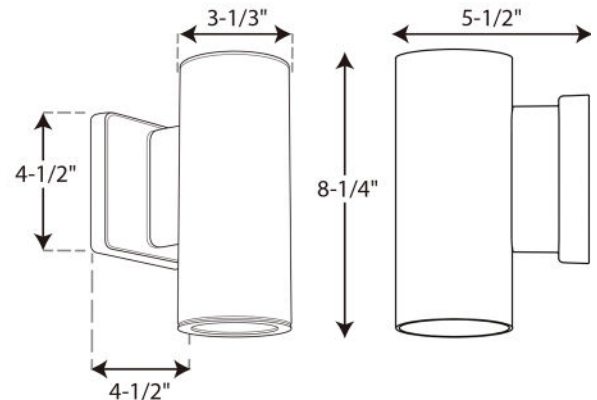
Number of Modules	2
Input Power	12 W
Input Voltage	120 V
Input Frequency	60 Hz
Lumens/LPW (Delivered)	1,798/75 (LM-79)
CCT	3000 K
CRI	90 CRI
Life (hours)	50000 (L70/TM-21)
EMI/RFI	FCC Title 47, Part 15, Class B
Max. Operating Temp	40 °C
Warranty	5-year Limited Warranty
Labels	CSA Wet Location Listed
	ENERGY STAR® qualified
	Meets California Title 24 JA8-2016

P563001-147-30K



Dimensions:

Width: 4-1/2 in
Height: 8-1/4 in
Depth: 5-1/2 in
H/CTR: 5 in

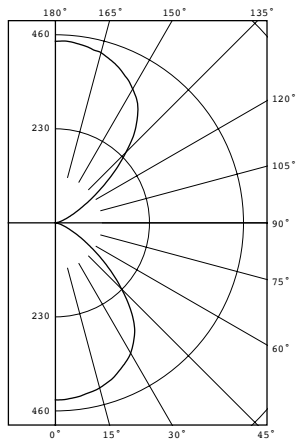


Photometrics:

ELECTRICAL DATA	P563001-147-30K
Input Voltage	120 V
Input Frequency	60 Hz
Input Current	0.201 A
THD	<20%
EMI/RFI	FCC Title 47, Part 15, Class B
Operating Temperature	-10 °C
Dimming	Yes*
Over-voltage, over-current, short-circuit protected	
*See Dimming Notes for more information	

P563001-147-30K

P563001-147-30K
 LED Light Engine: 3000 K 90 CRI
 System Wattage: 24
 Fixture delivered lumens: 1798
 Fixture Efficacy: 75
 Spacing Criteria: 1.25



CANDELA DISTRIBUTION

DEG	CANDELA	LUMENS
0	433	
5	431	41
15	418	118
25	388	179
35	337	209
45	229	176
55	111	101
65	39	41
75	11	12
85	1	2
90	0	
95	2	3
105	12	13
115	42	43
125	118	107
135	244	187
145	351	217
155	399	184
165	431	121
175	444	42
180	444	

ZONAL LUMEN SUMMARY

ZONE	LUMENS	%FIXT
0-30	338	18.8
0-40	547	30.4
0-60	824	45.8
0-90	880	48.9
90-120	59	3.3
90-130	166	9.3
90-150	571	31.8
90-180	919	51.1
0-180	1798	100.0

Test 17.02589 Test Date 10/05/17

Dimming Notes:

P563001-147-30K is designed to be compatible with many Triac/Forward Phase ELV/Reverse Phase controls.

The following is a partial list of known compatible dimmer controls.

Dimming Controls:

Lutron_Diva DVELV-300P

Lutron_Caseta Wireless

Leviton_SureSlide 6672

Lutron_Ariadni AYCL-153P

Lutron_Toggler TGCL-153PH-WH

Dimming capabilities will vary depending on the dimmer control, load, and circuit installation.

Always refer to dimmer manufacturer instructions or a controls specialist for specific requirements.

Dimmer control brand names where identified above are trade names or registered trademarks of each respective company.

P563001-147-30K