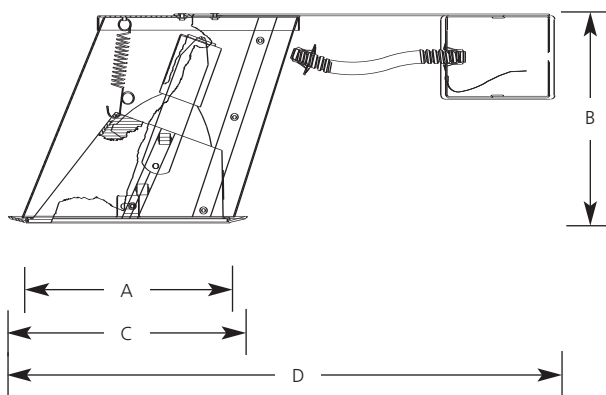


Type \_\_\_\_\_  
P745-IC

| Catalog No. | Lamping              | Dimensions (Inches)               |       |       |    |
|-------------|----------------------|-----------------------------------|-------|-------|----|
|             |                      | A                                 | B     | C     | D  |
| P745-IC     | 75w Par30LN/65w BR30 | 7                                 | 7-1/4 | 8-1/4 | 19 |
|             |                      | Ceiling opening = 7-3/8           |       |       |    |
|             |                      | Maximum Ceiling Thickness = 1-1/4 |       |       |    |



- Trim must be ordered separately.

**Specifications:**

Wiring

- Universal heavy gauge junction box screw-lock door
- Grounding pigtail
- 1/2" pryouts

Construction

- Galvanized steel construction
- Housing adjusts from 1/2" to 3/4" thick ceilings
- Adjustable slide bars lock unit into ceiling
- Porcelain socket with nickel-plated screw shell

Labeling

- UL-CUL listed for damp location and feed through wiring (2in, 2out, 12ga.)
- IC rated

Lamp/Trim

- Lamp in vertical position from 0-45 degree sloped ceiling (0/12 to 12/12)
- Lamp is adjustable from below ceiling
- Single spring attachment of trim
- Trim flange is pre-assembled to housing with two sheet metal screws