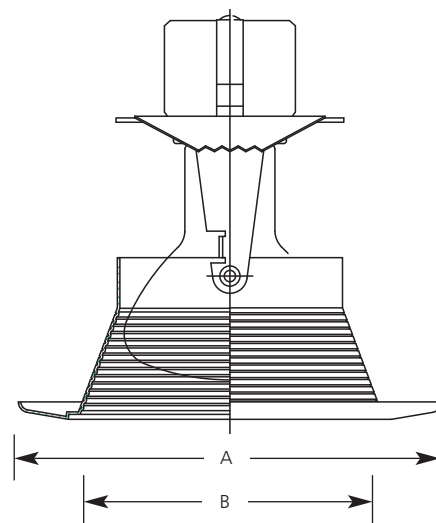
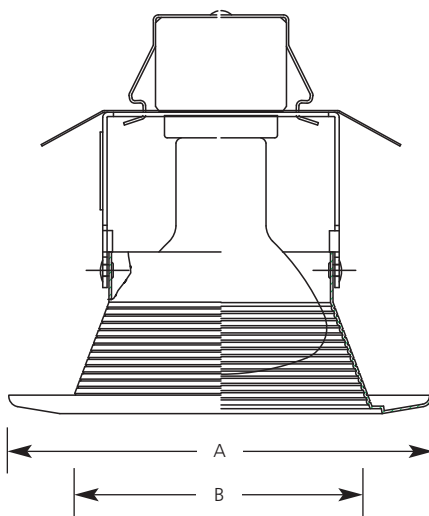


	Type _____				
	-09	-20	-28	-31	-36
P8037	<input type="checkbox"/>	<input type="checkbox"/>	<input type="checkbox"/>	<input type="checkbox"/>	<input type="checkbox"/>

Catalog No.	Finish					Dimensions (Inches)	
	Brushed Nickel	Antique Bronze	White	Black	Chestnut	A	B
P8044	-09	-20	-28	-31	-36	5	3-1/2



Lamp Wattage

Housing	IC	Non-IC
P831-AT	55PAR16/50R/PAR20	55PAR16/50R/PAR20
P830-TG	N/A	55PAR16/50R/PAR20
P832-TG	N/A	55PAR16/50R/PAR20
P831-FB	N/A	55PAR16/50R/PAR20

Specifications:

Flange

- White powder coated flange on white (-28) and black (-31) trims
- Brushed nickel (-09), antique bronze (-20), and chestnut (-36) have unpainted flanges that match the baffle finish
- No light leaks around trim flange
- Covers irregular ceiling openings

Trim

- Push-in leaf spring action forces trim to fit snugly against the ceiling
- Patented "Hurricane" leaf spring allows ease of trim removal by rotating counter-clockwise.

Trim con't

- Socket mounts to trim for optimum performance and consistent lamp position
- Steel construction

Options

- White (-28), black (-31), or chestnut (-36) painted finishes
- Brushed nickel (-09) or antique bronze (-20) plated finishes

Labels

- UL-CUL damp location listed

P830-TG

P830-TG WITH P8044-28

Report No. 98257

No. Lamps: 1 Type Lamp: 50PAR20/NFL-SYLVANIA Total Lumens: 530

Fixture Efficiency: 91.1%

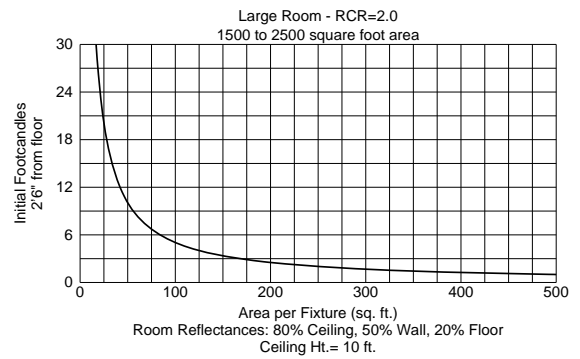
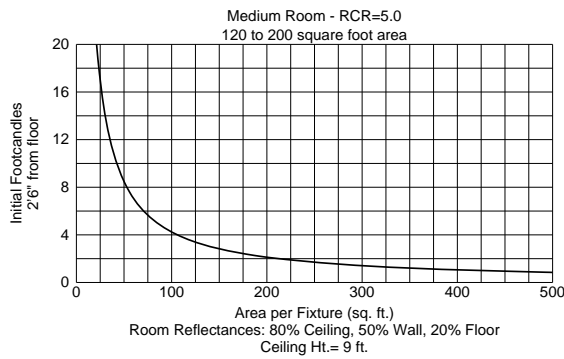
S/MH Ratio: 0.5

Single Fixture Data

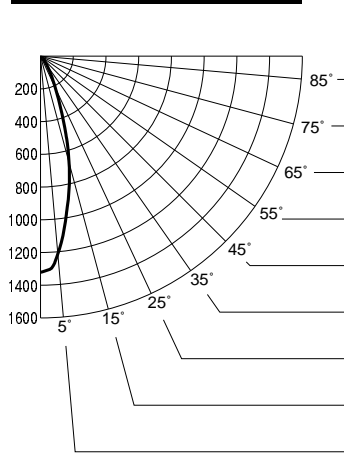
Ceiling Ht.(Ft.)	10% Values		Zero Degrees	50% Values	
	Beam Angle - 53°			Beam Angle - 28°	
	Ft.-C	Beam Dia.		Ft.-C	Beam Dia.
8	4.4	5	43.7	21.8	3
10	2.3	7	23.5	11.7	4
12	1.5	9	14.6	7.3	5
14	1.0	11	10.0	5.0	6
16	0.7	13	7.2	3.6	7

Ft.-C (Footcandles) are initial and measured 2'-6" from floor

Quick Calculator Charts



DISTRIBUTION CURVE



INTENSITY DATA

DEGREES	CANDELA
90	0
85	1
80	2
75	4
70	6
65	8
60	11
55	13
50	16
45	21
40	38
35	72
30	125
25	217
20	396
15	675
10	939
5	1214
0	1321

ZONAL CAVITY COEFFICIENTS OF UTILIZATION

Effective Floor Cavity Reflectance 0.20

RC	Effective Floor Cavity Reflectance 0.20																							
	80				70				50				30				10				0			
RW	70	50	30	10	70	50	30	10	50	30	10	50	30	10	50	30	10	50	30	10	50	30	10	0
0	108	108	108	108	106	106	106	106	101	101	101	97	97	97	93	93	93	91	91	91	89	88	87	86
1	104	101	99	97	101	99	97	96	96	94	93	92	91	90	89	88	87	86	85	84	82	81	81	
2	99	95	92	89	97	93	90	88	91	88	86	88	86	84	85	84	82	81	82	80	78	76	76	
3	95	90	85	82	93	88	84	81	86	83	80	84	81	79	82	80	78	76	78	76	74	72	72	
4	91	85	80	77	89	84	79	76	82	78	75	80	77	75	78	76	74	72	75	72	70	69	69	
5	87	80	76	72	86	80	75	72	78	74	71	77	73	71	75	72	70	69	72	69	67	66	66	
6	84	77	72	68	83	76	71	68	75	71	68	73	70	67	72	69	67	66	70	66	64	63	63	
7	81	73	68	65	79	73	68	65	72	68	65	71	67	64	70	66	64	63	67	64	61	60	60	
8	78	70	65	62	77	70	65	62	69	65	62	68	64	62	67	64	61	60	65	61	59	58	58	
9	75	67	63	60	74	67	62	59	66	62	59	65	62	59	65	61	59	58	62	59	57	56	56	
10	72	65	60	57	71	64	60	57	64	60	57	63	59	57	62	59	57	56	60	57	55	54	54	

P830-TG

P830-TG WITH P8044-28

Report No. 98244

No. Lamps: 1 Type Lamp: 50R20-GE Total Lumens: 410

Fixture Efficiency: 84.0%

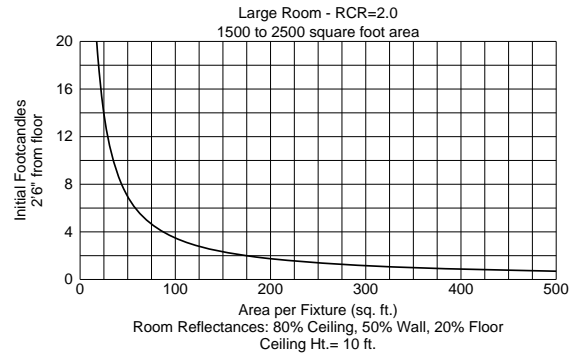
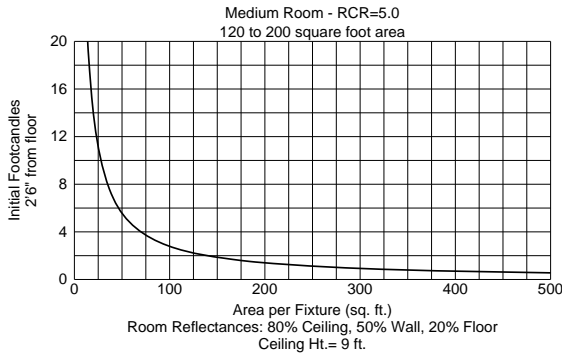
S/MH Ratio: 0.8

Single Fixture Data

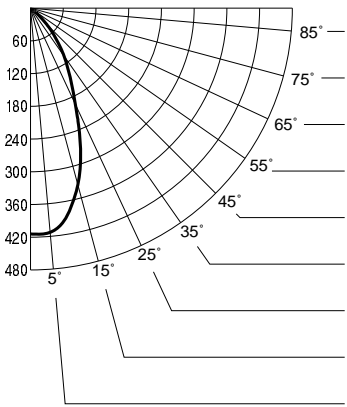
Ceiling Ht.(Ft.)	10% Values		Zero Degrees Ft.-C	50% Values	
	Beam Angle - 76°			Beam Angle - 42°	
	Ft.-C	Beam Dia.		Ft.-C	Beam Dia.
8	1.4	9	13.7	6.8	4
10	0.7	12	7.4	3.7	6
12	0.5	15	4.6	2.3	7
14	0.3	18	3.1	1.6	9
16	0.2	21	2.3	1.1	10

Ft.-C (Footcandles) are initial and measured 2'-6" from floor

Quick Calculator Charts



DISTRIBUTION CURVE



INTENSITY DATA

DEGREES	CANDELA
90	0
85	1
80	3
75	4
70	6
65	8
60	10
55	12
50	16
45	42
40	72
35	107
30	145
25	195
20	268
15	335
10	386
5	412
0	414

ZONAL CAVITY COEFFICIENTS OF UTILIZATION

Effective Floor Cavity Reflectance 0.20

RC	Effective Floor Cavity Reflectance 0.20																							
	80				70				50				30				10				0			
RW	70	50	30	10	70	50	30	10	50	30	10	50	30	10	50	30	10	50	30	10	50	30	10	0
0	100	100	100	100	98	98	98	98	94	94	94	90	90	90	86	86	86	84	84	84	84	84	84	84
1	95	93	90	88	93	91	89	87	87	86	84	84	83	82	81	80	79	78	78	78	78	78	78	78
2	90	85	82	78	88	84	81	78	81	78	76	79	76	74	76	74	73	71	71	71	71	71	71	71
3	85	79	74	71	83	78	74	70	76	72	69	74	71	68	72	69	67	66	66	66	66	66	66	66
4	80	73	68	65	79	72	68	64	71	67	63	69	65	63	67	64	62	61	61	61	61	61	61	61
5	76	68	63	59	75	68	63	59	66	62	58	65	61	58	63	60	57	56	56	56	56	56	56	56
6	72	64	59	55	71	63	58	55	62	58	54	61	57	54	60	56	54	52	52	52	52	52	52	52
7	68	60	55	51	67	60	54	51	58	54	51	57	53	50	56	53	50	49	49	49	49	49	49	49
8	65	57	51	48	64	56	51	48	55	51	47	54	50	47	53	50	47	46	46	46	46	46	46	46
9	62	53	48	45	61	53	48	45	52	48	44	51	47	44	51	47	44	43	43	43	43	43	43	43
10	59	50	45	42	58	50	45	42	49	45	42	49	45	42	48	44	42	40	40	40	40	40	40	40

P830-TG

P830-TG WITH P8044-31

Report No. 98246

No. Lamps: 1 Type Lamp: 50PAR20/NFL-GE Total Lumens: 570

Fixture Efficiency: 85.5%

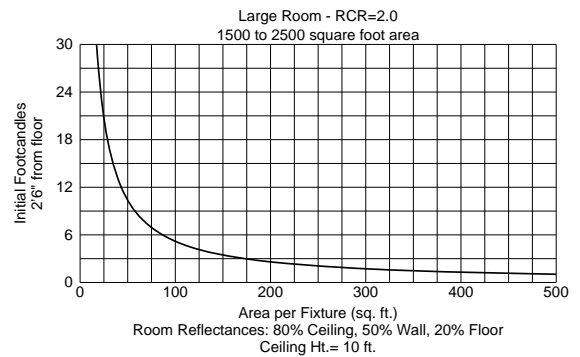
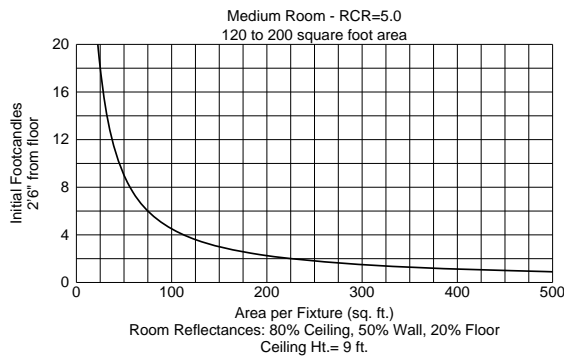
S/MH Ratio: 0.4

Single Fixture Data

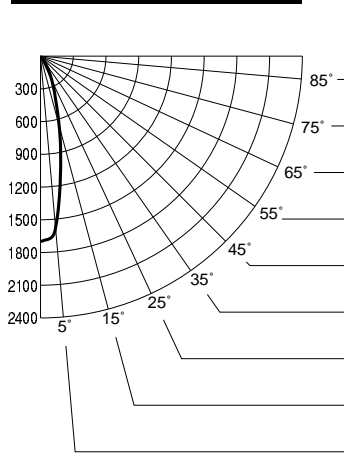
Ceiling Ht.(Ft.)	10% Values		Zero Degrees	50% Values	
	Beam Angle - 51°			Beam Angle - 24°	
	Ft.-C	Beam Dia.	Ft.-C	Ft.-C	Beam Dia.
8	5.6	5	56.2	28.1	2
10	3.0	7	30.2	15.1	3
12	1.9	9	18.8	9.4	4
14	1.3	11	12.8	6.4	5
16	0.9	13	9.3	4.7	6

Ft.-C (Footcandles) are initial and measured 2'-6" from floor

Quick Calculator Charts



DISTRIBUTION CURVE



INTENSITY DATA

DEGREES	CANDELA
90	0
85	0
80	0
75	0
70	0
65	0
60	2
55	3
50	6
45	12
40	27
35	66
30	139
25	244
20	395
15	661
10	1060
5	1583
0	1699

ZONAL CAVITY COEFFICIENTS OF UTILIZATION

Effective Floor Cavity Reflectance 0.20

RC	Effective Floor Cavity Reflectance 0.20																															
	80				70				50				30				10				0											
RW	70	50	30	10	70	50	30	10	50	30	10	50	30	10	50	30	10	50	30	10	50	30	10	50	30	10	50	30	10	50	30	10
0	102	102	102	102	99	99	99	99	95	95	95	91	91	91	87	87	87	85	85	85	85	85	85	85	85	85	85	85	85	85	85	
1	98	96	94	93	96	94	93	91	91	89	88	88	87	86	85	84	83	82	81	79	78	78	77	76	75	75	74	73	71	71	71	
2	94	91	88	86	92	89	87	85	87	85	83	84	83	81	82	81	79	78	76	75	74	73	72	71	70	69	68	67	66	65	64	
3	91	86	83	80	89	85	82	79	83	80	78	81	79	77	79	77	76	75	74	73	72	71	70	69	68	67	66	65	64	63	62	
4	87	82	78	76	86	81	78	75	80	77	74	78	75	73	76	74	73	72	71	70	69	68	67	66	65	64	63	62	61	60	59	
5	84	79	75	72	83	78	74	71	76	73	71	75	72	70	74	71	70	69	68	67	66	65	64	63	62	61	60	59	58	57	56	
6	81	75	71	68	80	75	71	68	73	70	68	72	69	67	71	69	67	66	65	64	63	62	61	60	59	58	57	56	55	54	53	
7	78	72	68	65	77	72	68	65	71	67	65	70	67	64	69	66	64	63	62	61	60	59	58	57	56	55	54	53	52	51	50	
8	76	69	65	63	75	69	65	63	68	65	62	67	64	62	67	64	62	61	60	59	58	57	56	55	54	53	52	51	50	49	48	
9	73	67	63	60	73	66	63	60	66	62	60	65	62	60	64	62	60	59	58	57	56	55	54	53	52	51	50	49	48	47	46	
10	71	64	61	58	70	64	60	58	64	60	58	63	60	58	62	60	58	57	56	55	54	53	52	51	50	49	48	47	46	45	44	

