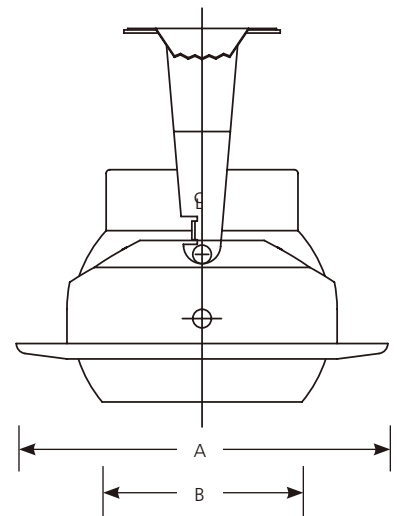
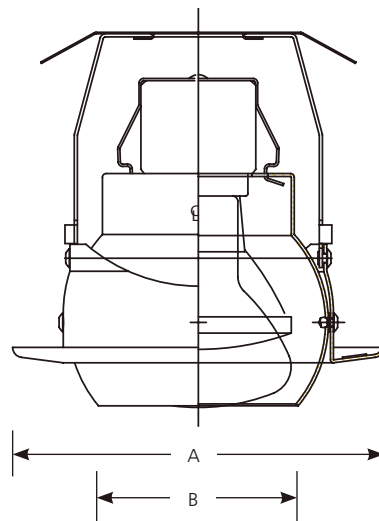


Type \_\_\_\_\_  
 -09 -20 -28  
 P8046

Catalog No.	Finish			Dimensions (Inches)	
	Brushed Nickel	Antique Bronze	White	A	B
P8046	-09	-20	-28	5	2-11/16



**Lamp Wattage**

Housing	IC	Non-IC
P831-AT	40PAR16/30R20	40PAR16/30R20
P830-TG	N/A	75PAR16/50PAR20
P832-TG	N/A	75PAR16/50PAR20

**Specifications:**

Flange

- White powder coated flange on white (-28)
- Brushed nickel (-09) and antique bronze (-20) have unpainted flanges that match the baffle finish
- No light leaks around trim flange
- Covers irregular ceiling openings

Trim

- Push-in leaf spring action forces trim to fit snugly against the ceiling
- Lamp tilt 20 degrees, 360 degree positioning
- Steel construction
- Eyeball finish matches trim finish

Options

- White (-28) painted finish
- Brushed nickel (-09) or antique bronze (-20) plated finishes

Labels

- UL-CUL damp location listed

Photometrics

- Refer to R20, PAR20, & PAR16 lamp application data

## R20, PAR16 and PAR20 Lamp Application Data for Recessed Eyeball Units

Figure 1  
Single fixture

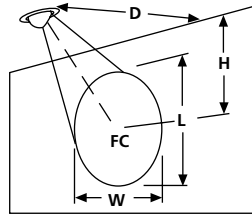
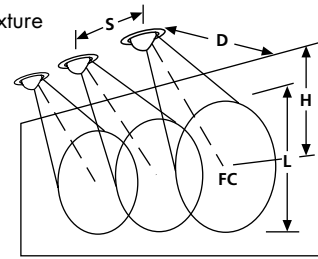


Figure 2  
Multiple fixture



R20 Flood Lamps



Walls and Vertical Objects														
H	F.C.	L	W	S	H	F.C.	L	W	S	H	F.C.	L	W	S

	D = 2 FT					D = 3 FT					D = 4 FT				
30R20FL	4	7	7.6	2.4	2.2	5	5	7.6	3.1	2.8	7	2	11.1	4.3	3.9
CBCP - 300 Beam - 30 deg.	5	4	14.1	2.9	2.6	6	3	11.4	3.6	3.3	8	2	15.1	4.8	4.4
	6	2	30.6	3.4	3.1	7	2	17.0	4.1	3.7	9	1	20.3	5.3	4.8
50R20FL	4	12	26.9	3.7	3.1	5	8	17.9	4.8	4.0	7	4	28.1	6.7	5.5
CBCP - 550 Beam - 45 deg.	5	7	*	4.5	3.7	6	5	*	5.6	4.6	8	3	*	7.4	6.1
	6	4	*	5.2	4.3	7	4	*	6.3	5.2	9	2	*	8.1	6.7
P75R20	4	14	26.9	3.7	3.1	5	10	17.9	4.8	4.0	7	5	28.1	6.7	5.5
CBCP - 650 Beam - 45 deg.	5	8	*	4.5	3.7	6	6	*	5.6	4.6	8	4	*	7.4	6.1
	6	5	*	5.2	4.3	7	4	*	6.3	5.2	9	3	*	8.1	6.7

Walls and Vertical Objects														
H	F.C.	L	W	S	H	F.C.	L	W	S	H	F.C.	L	W	S

	D = 2 FT					D = 3 FT					D = 4 FT				
45PAR16NFL	4	31	6.3	2.2	2.0	5	21	6.5	2.8	2.6	7	11	9.4	3.9	3.6
CBCP - 1,400 Beam - 27 deg.	5	18	10.9	2.6	2.4	6	14	9.4	3.2	3.0	8	8	12.6	4.3	4.0
	6	11	20.1	3.0	2.8	7	10	13.5	3.7	3.4	9	6	16.4	4.7	4.4
50PAR20NFL	4	31	7.6	2.4	2.2	5	21	7.6	3.1	2.8	7	11	11.1	4.3	3.9
CBCP - 1,400 Beam - 30 deg.	5	18	14.1	2.9	2.6	6	14	11.4	3.6	3.3	8	8	15.1	4.8	4.4
	6	11	30.6	3.4	3.1	7	10	17.0	4.1	3.7	9	6	20.3	5.3	4.8
60/75PAR16NFL	4	44	6.3	2.2	2.0	5	30	6.5	2.8	2.6	7	15	9.4	3.9	3.6
CBCP - 2,000 Beam - 27 deg.	5	26	10.9	2.6	2.4	6	20	9.4	3.2	3.0	8	11	12.6	4.3	4.0
	6	16	20.1	3.0	2.8	7	14	13.5	3.7	3.4	9	8	16.4	4.7	4.4

PAR16



PAR20



Walls and Vertical Objects														
H	F.C.	L	W	S	H	F.C.	L	W	S	H	F.C.	L	W	S

	D = 2 FT					D = 3 FT					D = 4 FT				
45PAR16NSP	4	111	1.8	0.8	0.8	5	76	2.0	1.0	1.0	7	38	2.9	1.4	1.4
CBCP - 5,000 Beam - 10 deg.	5	64	2.7	0.9	0.9	6	49	2.7	1.2	1.2	8	28	3.6	1.6	1.6
	6	39	3.8	1.1	1.1	7	34	3.5	1.3	1.3	9	21	4.4	1.7	1.7
50PAR20NSP	4	138	1.6	0.7	0.7	5	94	1.8	0.9	0.9	7	48	2.6	1.3	1.3
CBCP - 6,200 Beam - 9 deg.	5	79	2.4	0.8	0.8	6	61	2.4	1.2	1.2	8	34	3.2	1.4	1.4
	6	49	3.3	1.1	1.1	7	42	3.1	1.3	1.3	9	26	3.9	1.5	1.5

PAR16 & PAR20  
Spot Lamps



PAR16



PAR20

Walls and Vertical Objects														
H	F.C.	L	W	S	H	F.C.	L	W	S	H	F.C.	L	W	S

	D = 3 FT					D = 4 FT					D = 5 FT				
60/75PAR16NSP	5	114	2.0	1.0	1.0	7	58	2.9	1.4	1.4	9	34	3.8	1.8	1.8
CBCP - 7,500 Beam - 10 deg.	6	74	2.7	1.2	1.2	8	42	3.6	1.6	1.6	10	27	4.5	2.0	1.9
	7	51	3.5	1.3	1.3	9	32	4.4	1.7	1.7	11	21	5.3	2.1	2.1

Walls and Vertical Objects

H	Height from ceiling to center of beam
D	Distance from fixture to wall
F.C.	Footcandles at center of beam
L	Length of effective lighted area
W	Width of effective lighted area
S	Spacing of multiple fixtures to effectively light wall
*	Length of lighted area is in excess of 30 feet

Data assumes a maximum tilt of 30 degrees.

For horizontal surface data refer to Lamp Application Data sheets.

CBCP - Center Beam Candlepower