



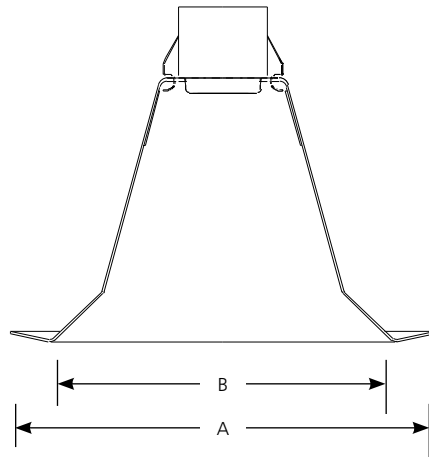
Incandescent

**6" Open Trim for Shallow Fixture IC & Non-IC**

**Recessed**

Type \_\_\_\_\_  
 -28  
 P8073

Catalog No.	Finish	Dimensions (Inches)	
	White	A	B
P8073	-28	7-3/4	4-1/4



<b>Lamp Wattage</b>		
Housing	IC	Non-IC
P86-TG	75R/PAR30/65BR30	75R/PAR30/65BR30
P186-TG	75R/PAR30/65BR30	75R/PAR30/65BR30

**Specifications:**

Flange

- Bright white powder painted flange
- No light leaks around trim flange
- Covers irregular ceiling openings

Trim

- One-piece aluminum reflector
- Splay design for BR and PAR 30 lamps
- Trim-Lok action forces trim to fit snugly against the ceiling
- Socket mounts to trim for optimum performance and consistent lamp position

Options

- White reflector - specify "28" after catalog number

Labels

- UL-CUL damp location listed

Progress Lighting  
 701 Millennium Blvd.  
 Greenville, South Carolina  
 29607

www.progresslighting.com

# P86-TG

## P86-TG WITH P8073-28

Report No. 98048

No. Lamps: 1 Type Lamp: 65BR30 Total Lumens: 770

Fixture Efficiency: 90.4%

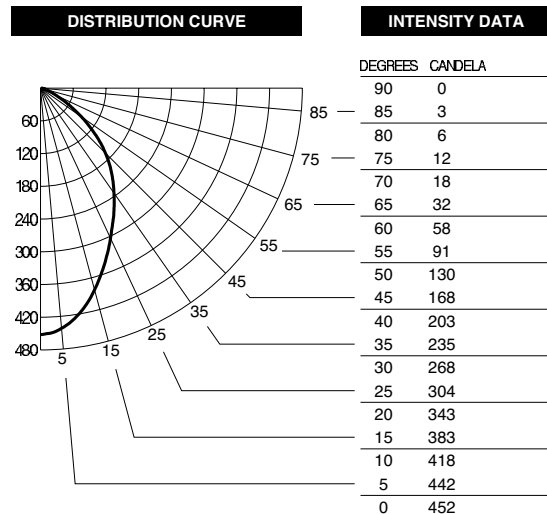
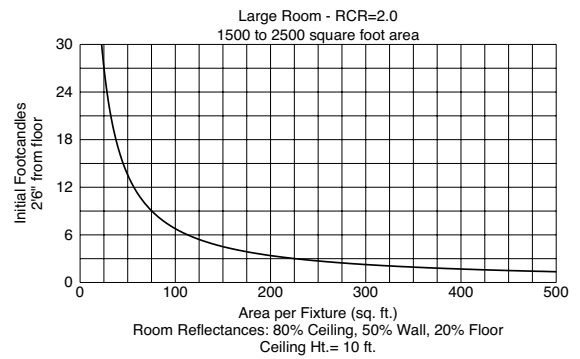
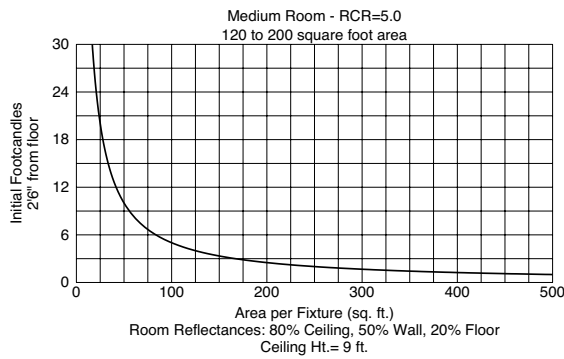
S/MH Ratio: 0.9

### Single Fixture Data

Ceiling Ht.(Ft.)	10% Values		Zero Degrees Ft.-C	50% Values	
	Beam Angle - 95			Beam Angle - 50	
	Ft.-C	Beam Dia.		Ft.-C	Beam Dia.
8	1.5	12	14.9	7.5	5
10	0.8	16	8.0	4.0	7
12	0.5	21	5.0	2.5	9
14	0.3	25	3.4	1.7	11
16	0.2	30	2.5	1.2	13

Ft.-C (Footcandles) are initial and measured 2'-6" from floor

### Quick Calculator Charts



**COEFFICIENTS OF UTILIZATION**

Effective Floor Coefficient Reflectance 0.20

RC	Effective Floor Coefficient Reflectance 0.20																						
	80				70				50				30				10				0		
RW	70	50	30	10	70	50	30	10	50	30	10	50	30	10	50	30	10	50	30	10	0		
0	108	108	108	108	105	105	105	105	101	101	101	96	96	96	92	92	92	91					
1	101	97	94	92	98	95	93	90	92	90	88	88	87	85	85	84	82	81					
2	94	88	83	79	91	86	82	78	83	79	76	80	77	74	78	75	73	71					
3	87	79	73	68	85	78	72	68	75	70	67	73	69	65	71	67	64	63					
4	81	72	65	60	79	71	64	60	68	63	59	66	62	58	65	61	57	56					
5	75	65	58	53	73	64	58	53	62	57	52	61	56	52	59	55	51	50					
6	70	60	53	48	68	59	52	47	57	51	47	56	51	47	55	50	46	45					
7	65	55	48	43	64	54	48	43	53	47	43	52	46	42	50	46	42	40					
8	61	51	44	39	60	50	43	39	49	43	39	48	42	39	47	42	38	37					
9	58	47	40	36	57	46	40	36	45	40	35	44	39	35	44	39	35	34					
10	54	44	37	33	53	43	37	33	42	37	33	42	36	33	41	36	32	31					

# P86-TG

## P86-TG WITH 8073-28

Report No. 98049

No. Lamps: 1 Type Lamp: 75PAR30 LN - GE Total Lumens: 985

Fixture Efficiency: 89.0%

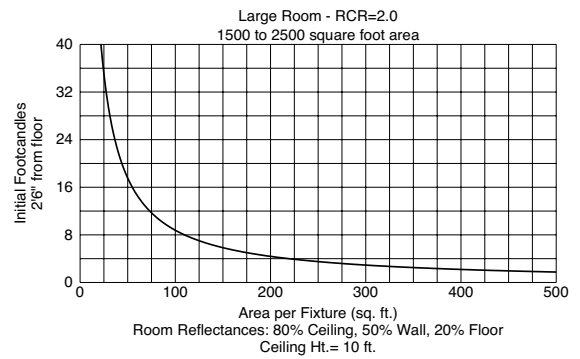
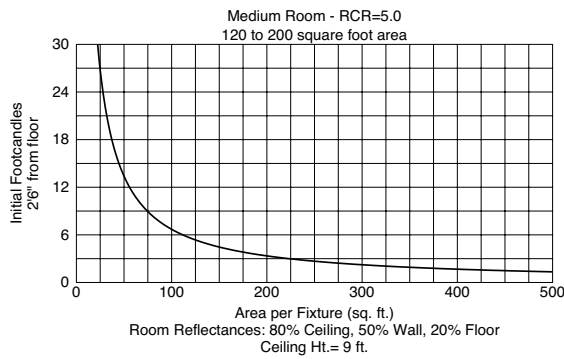
S/MH Ratio: 1.0

### Single Fixture Data

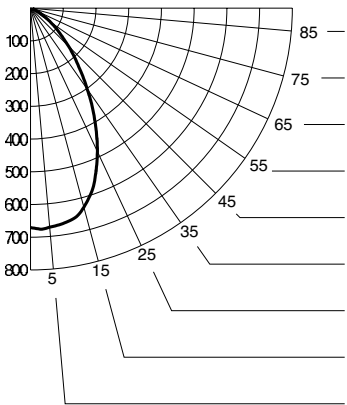
Ceiling Ht.(Ft.)	10% Values		Zero Degrees Ft.-C	50% Values	
	Beam Angle - 88			Beam Angle - 52	
	Ft.-C	Beam Dia.		Ft.-C	Beam Dia.
8	2.2	11	22.2	11.1	5
10	1.2	14	11.9	6.0	7
12	0.7	18	7.4	3.7	9
14	0.5	22	5.1	2.5	11
16	0.4	26	3.7	1.8	13

Ft.-C (Footcandles) are initial and measured 2'-6" from floor

### Quick Calculator Charts



#### DISTRIBUTION CURVE



#### INTENSITY DATA

DEGREES	CANDELA
90	0
85	0
80	2
75	6
70	11
65	24
60	44
55	75
50	113
45	164
40	225
35	302
30	392
25	484
20	569
15	630
10	662
5	672
0	670

#### COEFFICIENTS OF UTILIZATION

Effective Floor Coefficient Reflectance 0.20

RC	Effective Floor Coefficient Reflectance 0.20																						
	80				70				50				30				10				0		
RW	70	50	30	10	70	50	30	10	50	30	10	50	30	10	50	30	10	50	30	10	0		
0	106	106	106	106	104	104	104	104	99	99	99	95	95	95	91	91	91	89					
1	100	97	95	92	98	95	93	91	92	90	88	88	87	85	85	84	83	81					
2	94	89	84	81	92	87	83	80	84	81	78	81	79	76	79	77	75	73					
3	88	81	76	72	86	80	75	71	77	73	70	75	72	69	73	70	68	66					
4	82	74	69	64	81	73	68	64	71	67	63	69	65	62	68	64	61	60					
5	77	68	62	58	76	68	62	57	66	61	57	64	60	56	63	59	56	54					
6	73	63	57	52	71	62	57	52	61	56	52	60	55	52	58	54	51	50					
7	68	59	52	48	67	58	52	48	57	51	48	56	51	47	55	50	47	46					
8	64	55	48	44	63	54	48	44	53	48	44	52	47	44	51	47	43	42					
9	61	51	45	41	60	50	45	41	50	44	41	49	44	40	48	43	40	39					
10	58	48	42	38	57	47	42	38	46	41	38	46	41	38	45	41	37	36					



Incandescent

**6" Lensless Shower Light  
IC & Non-IC**

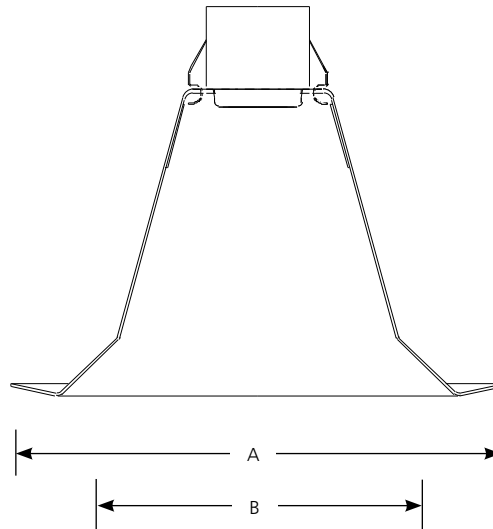
**Recessed**

Type \_\_\_\_\_

-28

P8073WL

Catalog No.	Finish	Dimensions (Inches)	
	White	A	B
P8073WL	-28	7-3/4	4-1/4



**Lamp Wattage\***

Housing	IC	Non-IC
P86-TG	50w PAR30	50w PAR30
P186-TG	50w PAR30	50w PAR30

**Specifications:**

Flange

- Bright white powder painted integral metal flange
- No light leaks around trim flange
- Covers irregular ceiling openings

Trim

- All aluminum construction
- Socket mounts to trim for optimum performance and consistent lamp position
- Trim retention is provided by a heavy duty spring steel clip shipped with housing

- Pre-applied adhesive backed, high-temperature acrylic gasket is placed on interior top portion of reflector to prevent the passage of water into socket

Labels

- UL-CUL wet location listed
- Rated IC and Non-IC

\*Use only outdoor rated par lamps.

Progress Lighting  
701 Millennium Blvd.  
Greenville, South Carolina  
29607

www.progresslighting.com

Rev. 02/15