



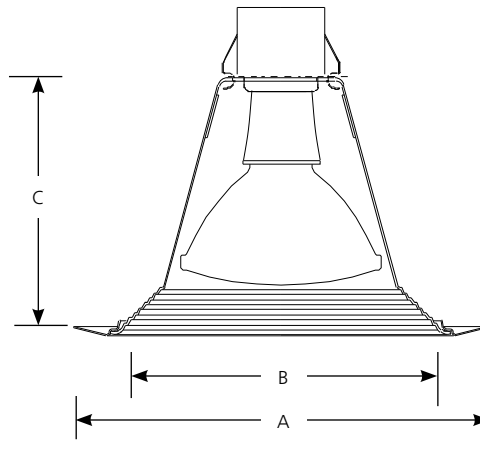
Incandescent
Trims

6" Baffle
IC and Non-IC

Recessed

Type _____
-28 -31
P8075

Catalog No.	Finish		Dimensions (Inches)		
	White	Black	A	B	C
P8075	-28	-31	7-3/4	6-1/4	4-3/4



Lamp Wattage

Housing	IC	Non-IC
P87-AT	75w PAR30LN; 65w BR30	75w PAR30LN; 100w A19; 85w BR30
P87-ATQC	75w PAR30LN; 65w BR30	75w PAR30LN; 100w A19; 85w BR30
P821-AT	75w PAR30LN/A19; 85w BR30	75w PAR30LN/A19; 85w BR30
P187-TG	75w PAR30LN; 65w BR30	75w PAR30LN; 100w A19; 85w BR30
P821-FB, FBFC	N/A	75w PAR30; 85w BR30

Specifications:

Flange

- Bright white powder painted metal flange

Trim

- All aluminum construction
- White baffle (-28) is one-piece construction with integral flange
Black baffle (-31) is two-piece construction with separate white flange ring
- No light leaks around trim flange
- Socket mounts to trim for optimum performance and consistent lamp position
- Trim-Lok action for trim retention forces trim to fit snugly against the ceiling
- Powder painted bright white

Labeling

- UL-CUL damp location listed
- Rated IC and Non-IC

Options

- Specify after Catalog No.:
White (-28)
Black (-31)

Progress Lighting
701 Millennium Blvd.
Greenville, South Carolina
29607

www.progresslighting.com
Patent# 5,758,992, 5,758,993

Rev. 02/14

P87-AT

P87-AT WITH P8075-28

Report No. 98169

No. Lamps: 1 Type Lamp: 75PAR30 LN/FL Total Lumens: 985

Fixture Efficiency: 97.9%

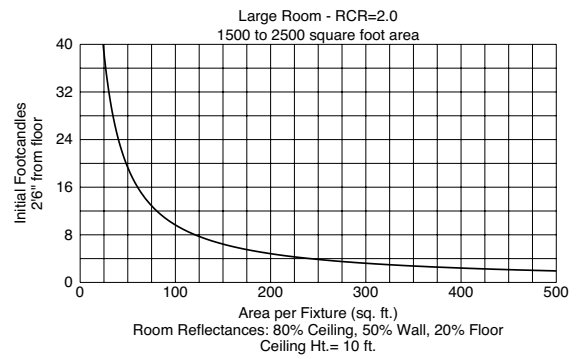
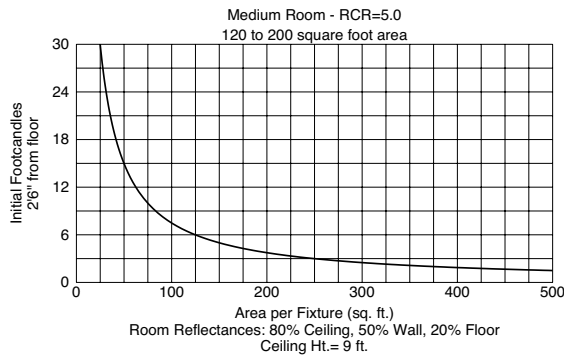
S/MH Ratio: 1.1

Single Fixture Data

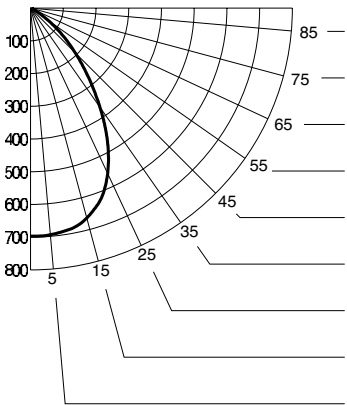
Ceiling Ht.(Ft.)	10% Values		Zero Degrees Ft.-C	50% Values	
	Beam Angle - 90			Beam Angle - 56	
	Ft.-C	Beam Dia.		Ft.-C	Beam Dia.
8	2.3	11	23.0	11.5	6
10	1.2	15	12.4	6.2	8
12	0.8	19	7.7	3.9	10
14	0.5	23	5.3	2.6	12
16	0.4	27	3.8	1.9	14

Ft.-C (Footcandles) are initial and measured 2'-6" from floor

Quick Calculator Charts



DISTRIBUTION CURVE



INTENSITY DATA

DEGREES	CANDELA
90	0
85	0
80	0
75	1
70	5
65	11
60	28
55	66
50	125
45	193
40	275
35	370
30	470
25	558
20	624
15	664
10	687
5	695
0	697

COEFFICIENTS OF UTILIZATION

Effective Floor Coefficient Reflectance 0.20

RC	80				70				50				30				10				0			
	RW	70	50	30	10	70	50	30	10	50	30	10	50	30	10	50	30	10	50	30	10	0		
0	116	116	116	116	114	114	114	114	109	109	109	104	104	104	100	100	100	98						
1	110	107	104	102	108	105	102	100	101	99	97	97	96	94	94	93	91	90						
2	104	98	93	90	101	96	92	89	93	90	87	90	87	85	87	85	83	81						
3	97	90	84	80	95	88	83	79	86	81	78	83	80	76	81	78	75	74						
4	91	82	76	71	89	81	75	71	79	74	70	77	73	69	75	71	68	67						
5	85	76	69	64	84	75	69	64	73	68	64	71	67	63	70	66	62	61						
6	80	70	63	59	79	69	63	58	68	62	58	66	61	57	65	60	57	55						
7	75	65	58	53	74	64	58	53	63	57	53	62	57	53	61	56	52	51						
8	71	60	54	49	70	60	53	49	59	53	49	58	52	48	57	52	48	47						
9	67	56	50	45	66	56	49	45	55	49	45	54	49	45	53	48	45	43						
10	63	53	46	42	62	52	46	42	51	46	42	50	45	42	50	45	41	40						



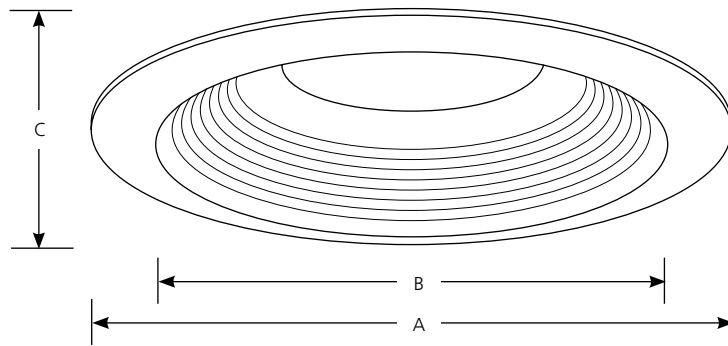
Compact Fluorescent

**6" Baffle
Single Lamp Vertical
IC & Non-IC**

Recessed

Type _____
 -28 -31
 P8075

Catalog No.	Finish		Dimensions (Inches)		
	White	Black	A	B	C
P8075	-28	-31	7-3/4	6-1/4	4-3/4



Lamp Wattage

Housing	IC	Non-IC
P83-AT	N/A	13w Quad/Triple-tube
P83-ICAT	13w 4-pin Quad/Triple-tube CF	13w 4-pin Quad/Triple-tube CF
P88-ICAT	18w 4-pin Quad/Triple-tube CF	18w 4-pin Quad/Triple-tube CF
P183-EB	13w 4-pin Quad/Triple-tube CF	13w 4-pin Quad/Triple-tube CF
P83-26ICAT	26w 4-pin Triple-tube CF	26w 4-pin Triple-tube CF
P62-FB	N/A	26 or 32w 4-pin Triple-tube CF

Specifications:

Flange

- Bright white powder coated flange
- No light leaks around trim flange
- Covers irregular ceiling openings

Trim

- One piece aluminum construction
- Designed for use with vertically mounted 13 watt Quad or Triple tube (GE) C.F.
- Socket mounts to trim for optimum performance and consistent lamp position
- No light leaks around trim flange
- Trim-Lok action for trim retention forces trim to fit snugly against the ceiling

Options

- Specify after Catalog No: White (-28), Black (-31)

Labels

- Maximum overall length of lamp cannot exceed 5.5" (5-1/2")
- Available are: GE -F26TBX, Phillips PLT26, Sylvania CF26 or 32DT, or Progress 7808-01 (26w)

Labels

- UL-CUL damp location listed
- Rated IC and Non-IC

Progress Lighting
 Post Office Box 5704
 Spartanburg, South Carolina
 29304-5704

www.progresslighting.com
 Patent# 5,758,992, 5,758,993