



Incandescent

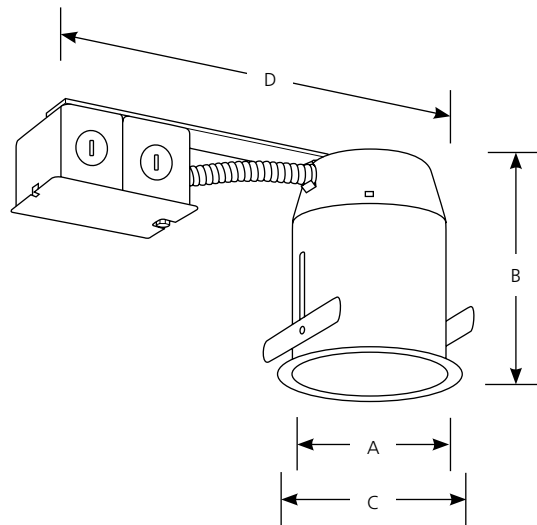
# 4" Remodel Housing Non-IC

Recessed

Type \_\_\_\_\_

P832-TG

Catalog No.	Lamping	Dimensions (Inches)			
		A	B	C	D
P832-TG	See Trim Specifications	4-1/8	5-1/2	4-13/16	11-3/8
		Ceiling Opening 4-1/4			



### Specifications:

#### Wiring

- Universal J-box
- Grounding pigtail
- 1/2" Knock outs

#### Construction

- Housing adjusts from 1/2" to 1" thick ceilings
- Galvanized steel construction with aluminum housing
- Porcelain socket with nickel-plated brass screw shell
- Adjustable bars lock unit securely to ceiling
- Integral housing flange

#### Labeling

- UL-CUL listed for damp locations and feed through wiring (2in, 2 out, 12ga.)
- Non-IC rated

#### Lamp/Trim

- Socket mounts to trim for optimum performance and consistent lamp position

Progress Lighting  
 701 Millennium Blvd.  
 Greenville, South Carolina  
 29607

www.progresslighting.com

Rev. 3/06



LED

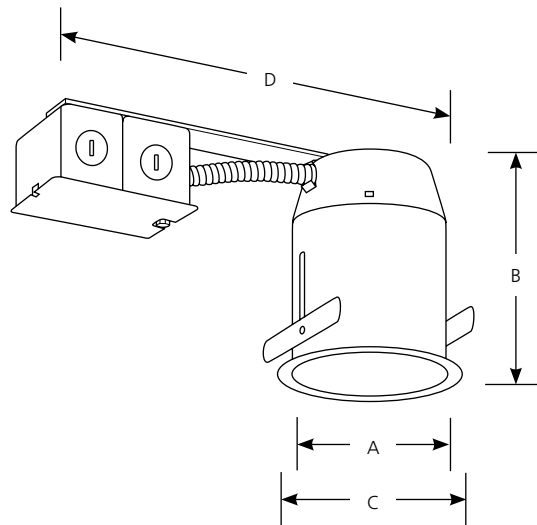
# 4" Remodel Housing Non-IC

Recessed

Type \_\_\_\_\_

P832-LED

Catalog No.	Lamping	Dimensions (Inches)			
		A	B	C	D
P832-LED	See Trim Specifications	4-1/8	5-1/2	4-13/16	11-3/8
		Ceiling Opening 4-1/4			



### Specifications:

#### Wiring

- Universal J-box
- Grounding pigtail
- 1/2" Knock outs

#### Construction

- Housing adjusts from 1/2" to 1" thick ceilings
- Galvanized steel construction with aluminum housing
- Adjustable bars lock unit securely to ceiling
- Integral housing flange

#### Labeling

- UL-CUL listed for damp locations and feed through wiring (2in, 2 out, 12ga.)
- Non-IC rated

#### Lamp/Trim

- P832-LED is designed for use with P8080 series LED trims (sold separately)

Progress Lighting  
 701 Millennium Blvd.  
 Greenville, South Carolina  
 29607

www.progresslighting.com

Rev. 11/12