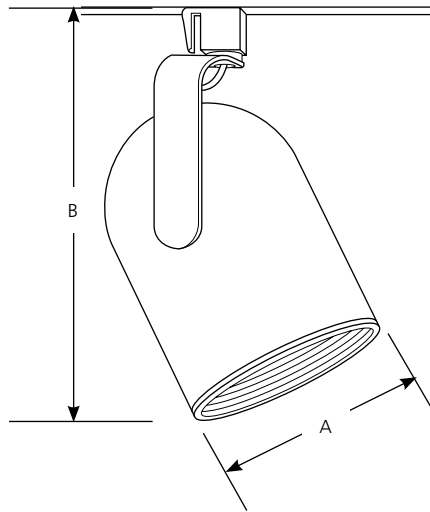


Type _____

| | | |
|-------|--------------------------|--------------------------|
| | -28 | -31 |
| P9203 | <input type="checkbox"/> | <input type="checkbox"/> |
| P9204 | <input type="checkbox"/> | <input type="checkbox"/> |

| Catalog No. | Finish | | Lamping | Dimensions (Inches) | |
|-------------|--------|-------|-------------------|---------------------|-------|
| | White | Black | | A | B |
| P9203 | -28 | -31 | 75PAR16/50R/PAR20 | 3-1/2 | 7-1/4 |
| P9204 | -28 | -31 | 75PAR30/65BR30 | 4-3/8 | 8 |



Specifications:

Track Lock Up

- For use with Alpha (P9100 Series) track
- Polarity oriented
- Quarter-turn locking action
- Tab lock to track to prevent accidental removal

Track Head Support

- Steel half yoke
- 358-degree horizontal rotation
- Self-locking pivot for vertical head positioning

Track Head

- One piece steel construction
- Socket mount – two screws to prevent turning
- Porcelain socket with nickel-plated brass screw shell

Baffle

- Furnished with phenolic black baffle
- Spring clip retention

Labeling

- UL-CUL dry location listed

Photometrics

- Refer to Lamp Application Data for:
 - R20, PAR20 & PAR16
 - BR30 & PAR30

R20, PAR16 and PAR20 Lamp Application Data

Figure 1
Single lampholder

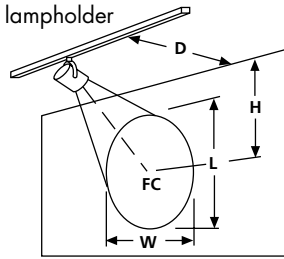
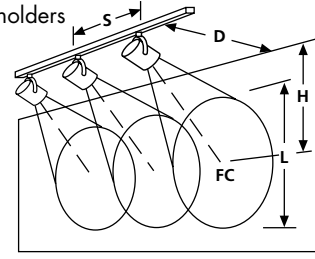


Figure 2
Multiple lampholders



R20 Flood Lamps



| | Walls and Vertical Objects | | | | | | | | | | | | Horizontal Surfaces | | | |
|------------------------------|----------------------------|------|------|-----|----------|------|-----|-----|----------|------|-----|-----|---------------------|----------|------|----------------|
| | H | F.C. | L | W | S | F.C. | L | W | S | F.C. | L | W | S | Clg. Ht. | F.C. | Dia. & Spacing |
| | D = 2 FT | | | | D = 3 FT | | | | D = 4 FT | | | | | | | |
| 30R20FL | 2 | 27 | 2.3 | 1.5 | 1.4 | 19 | 2.4 | 1.9 | 1.8 | 13 | 2.7 | 2.4 | 2.2 | 8 | 10 | 2.8 |
| CBCP - 300 Beam - 30 deg. | 3 | 13 | 4.2 | 1.9 | 1.8 | 12 | 3.5 | 2.3 | 2.1 | 10 | 3.5 | 2.7 | 2.4 | 9 | 7 | 3.4 |
| | 4 | 7 | 7.5 | 2.4 | 2.2 | 7 | 5.1 | 2.7 | 2.4 | 7 | 4.6 | 3.0 | 2.8 | 10 | 5 | 3.9 |
| 50R20FL | 2 | 47 | 4.0 | 2.3 | 1.9 | 35 | 3.9 | 3.0 | 2.5 | 25 | 4.3 | 3.7 | 3.1 | 8 | 18 | 4.2 |
| CBCP - 550 Beam - 45 deg. | 3 | 23 | 8.8 | 3.0 | 2.5 | 22 | 6.0 | 3.5 | 2.9 | 18 | 5.7 | 4.1 | 3.4 | 9 | 13 | 5 |
| | 4 | 12 | 26.2 | 3.7 | 3.1 | 13 | 9.9 | 4.1 | 3.4 | 12 | 8.0 | 4.7 | 3.9 | 10 | 10 | 5.7 |
| P75R20 | 2 | 57 | 4.0 | 2.3 | 1.9 | 42 | 3.9 | 3.0 | 2.5 | 29 | 4.3 | 3.7 | 3.1 | 8 | 21 | 4.2 |
| CBCP - 650 Beam - 45 deg. | 3 | 28 | 8.8 | 3.0 | 2.5 | 26 | 6.0 | 3.5 | 2.9 | 21 | 5.7 | 4.1 | 3.4 | 9 | 15 | 5.0 |
| | 4 | 15 | 26.2 | 3.7 | 3.1 | 16 | 9.9 | 4.1 | 3.4 | 14 | 8.0 | 4.7 | 3.9 | 10 | 12 | 5.7 |

PAR16 & PAR20
Flood Lamps



PAR16



PAR20

| | Walls and Vertical Objects | | | | | | | | | | | | Horizontal Surfaces | | | |
|--------------------------------|----------------------------|------|------|-----|----------|------|-----|-----|----------|------|-----|-----|---------------------|----------|------|----------------|
| | H | F.C. | L | W | S | F.C. | L | W | S | F.C. | L | W | S | Clg. Ht. | F.C. | Dia. & Spacing |
| | D = 2 FT | | | | D = 3 FT | | | | D = 4 FT | | | | | | | |
| 45PAR16NFL | 2 | 124 | 2.0 | 1.4 | 1.3 | 90 | 2.1 | 1.7 | 1.6 | 63 | 2.4 | 2.1 | 2.0 | 8 | 46 | 2.6 |
| CBCP - 1,400 Beam - 27 deg. | 3 | 60 | 3.6 | 1.7 | 1.6 | 55 | 3.1 | 2.0 | 1.9 | 45 | 3.1 | 2.4 | 2.2 | 9 | 33 | 3.0 |
| | 4 | 31 | 6.2 | 2.1 | 2.0 | 34 | 4.5 | 2.4 | 2.2 | 31 | 4.1 | 2.7 | 2.5 | 10 | 25 | 3.5 |
| 50PAR20NFL | 3 | 60 | 4.2 | 1.9 | 1.8 | 55 | 3.5 | 2.3 | 2.1 | 45 | 3.5 | 2.7 | 2.4 | 8 | 46 | 2.8 |
| CBCP - 1,400 Beam - 30 deg. | 4 | 31 | 7.5 | 2.4 | 2.2 | 34 | 5.1 | 2.7 | 2.4 | 31 | 4.6 | 3.0 | 2.8 | 9 | 33 | 3.4 |
| | 5 | 18 | 14.1 | 2.9 | 2.6 | 21 | 7.6 | 3.1 | 2.8 | 21 | 6.2 | 3.4 | 3.1 | 10 | 25 | 3.9 |
| 60/75PAR16NFL | 3 | 85 | 3.6 | 1.7 | 1.6 | 79 | 3.1 | 2.0 | 1.9 | 64 | 3.1 | 2.4 | 2.2 | 8 | 66 | 2.6 |
| CBCP - 2,000 Beam - 27 deg. | 4 | 45 | 6.2 | 2.1 | 2.0 | 48 | 4.5 | 2.4 | 2.2 | 44 | 4.1 | 2.7 | 2.7 | 9 | 48 | 3.0 |
| | 5 | 29 | 10.9 | 2.6 | 2.4 | 30 | 6.5 | 2.8 | 2.6 | 31 | 5.4 | 3.1 | 3.1 | 10 | 36 | 3.5 |

PAR16 & PAR20
Spot Lamps



PAR16



PAR20

| | Walls and Vertical Objects | | | | | | | | | | | | Horizontal Surfaces | | | |
|--------------------------------|----------------------------|------|-----|-----|----------|------|-----|-----|----------|------|-----|-----|---------------------|----------|------|----------------|
| | H | F.C. | L | W | S | F.C. | L | W | S | F.C. | L | W | S | Clg. Ht. | F.C. | Dia. & Spacing |
| | D = 2 FT | | | | D = 3 FT | | | | D = 4 FT | | | | | | | |
| 45PAR16NSP | 4 | 112 | 1.8 | 0.8 | 0.8 | 120 | 1.5 | 0.9 | 0.9 | 110 | 1.4 | 1.0 | 1.0 | 8 | 89 | 1.3 |
| CBCP - 5,000 Beam - 10 deg. | 5 | 64 | 2.7 | 0.9 | 0.9 | 76 | 2.0 | 1.0 | 1.0 | 76 | 1.8 | 1.1 | 1.1 | 10 | 55 | 1.7 |
| | 6 | 39 | 3.8 | 1.1 | 1.1 | 50 | 2.7 | 1.2 | 1.2 | 53 | 2.3 | 1.3 | 1.2 | 12 | 38 | 2.0 |
| 50PAR20NSP | 4 | 149 | 1.3 | 0.8 | 0.8 | 137 | 1.3 | 0.9 | 0.9 | 118 | 1.3 | 1.0 | 1.0 | 10 | 110 | 1.2 |
| CBCP - 6,200 Beam - 9 deg. | 6 | 62 | 2.4 | 1.1 | 1.0 | 66 | 2.1 | 1.1 | 1.1 | 73 | 1.8 | 1.2 | 1.2 | 12 | 69 | 1.5 |
| | 8 | 30 | 4.0 | 1.3 | 1.3 | 35 | 3.2 | 1.4 | 1.4 | 37 | 2.8 | 1.5 | 1.5 | 14 | 48 | 1.8 |
| 60/75PAR16NSP | 4 | 180 | 1.5 | 0.9 | 0.9 | 166 | 1.4 | 1.0 | 1.0 | 143 | 1.4 | 1.1 | 1.1 | 10 | 133 | 1.3 |
| CBCP - 7,500 Beam - 10 deg. | 6 | 75 | 2.7 | 1.2 | 1.2 | 80 | 2.3 | 1.3 | 1.2 | 89 | 2.0 | 1.3 | 1.3 | 12 | 83 | 1.7 |
| | 8 | 36 | 4.5 | 1.5 | 1.5 | 42 | 3.6 | 1.6 | 1.5 | 45 | 3.2 | 1.7 | 1.6 | 14 | 57 | 2.0 |

Walls and Vertical Objects

| | |
|------|--|
| H | Height from ceiling to center of beam |
| D | Distance from fixture to wall |
| F.C. | Footcandles at center of beam |
| L | Length of effective lighted area |
| W | Width of effective lighted area |
| S | Spacing of multiple fixtures to effectively light wall |

Horizontal Surfaces

| | |
|----------------|--|
| Clg. Ht. | Height from floor to ceiling |
| F.C. | Footcandles 30" from floor (work plane) |
| Dia. & Spacing | Diameter of effective lighted area and spacing to effectively light the horizontal surface |

CBCP - Center Beam Candlepower

BR30 and PAR30 Lamp Application Data

Figure 1
Single lampholder

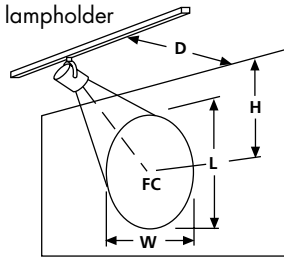
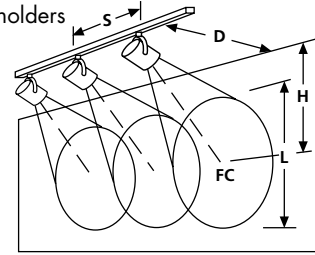


Figure 2
Multiple lampholders



BR30 Flood Lamp



BR30 Spot Lamp



PAR30
Flood Lamps



PAR30
Spot Lamps



| Walls and Vertical Objects | | | | | | | | | | | | | | Horizontal Surfaces | | |
|----------------------------|------|-----|------|----------|------|-----|------|----------|------|------|------|-----|----------|---------------------|----------------|-----|
| H | F.C. | L | W | S | F.C. | L | W | S | F.C. | L | W | S | Clg. Ht. | F.C. | Dia. & Spacing | |
| D = 2 FT | | | | D = 3 FT | | | | D = 4 FT | | | | | | | | |
| 65BR30FL | 2 | 46 | 5.7 | 2.9 | 2.3 | 34 | 5.1 | 3.8 | 2.9 | 23 | 5.6 | 4.7 | 3.6 | 8 | 17 | 5.1 |
| CBCP - 525 | 3 | 22 | 17.3 | 3.8 | 2.9 | 21 | 8.6 | 4.4 | 3.4 | 17 | 12.0 | 5.2 | 4.0 | 9 | 12 | 6 |
| Beam - 55 deg. | 4 | 12 | * | 4.7 | 3.6 | 13 | 16.7 | 5.2 | 4.0 | 11 | 11.4 | 5.9 | 4.5 | 10 | 9 | 6.9 |
| Walls and Vertical Objects | | | | | | | | | | | | | | Horizontal Surfaces | | |
| H | F.C. | L | W | S | F.C. | L | W | S | F.C. | L | W | S | Clg. Ht. | F.C. | Dia. & Spacing | |
| D = 2 FT | | | | D = 3 FT | | | | D = 4 FT | | | | | | | | |
| 65BR30SP | 3 | 69 | 2.5 | 1.3 | 1.2 | 64 | 2.2 | 1.5 | 1.4 | 52 | 2.2 | 1.8 | 1.7 | 8 | 54 | 1.9 |
| CBCP - 1625 | 4 | 36 | 4.0 | 1.6 | 1.5 | 39 | 3.1 | 1.8 | 1.7 | 36 | 2.9 | 2.0 | 1.9 | 9 | 38 | 2.3 |
| Beam - 20 deg. | 5 | 21 | 6.3 | 1.9 | 1.8 | 25 | 4.4 | 2.1 | 2.0 | 25 | 3.8 | 2.3 | 2.2 | 10 | 29 | 2.6 |
| Walls and Vertical Objects | | | | | | | | | | | | | | Horizontal Surfaces | | |
| H | F.C. | L | W | S | F.C. | L | W | S | F.C. | L | W | S | Clg. Ht. | F.C. | Dia. & Spacing | |
| D = 2 FT | | | | D = 3 FT | | | | D = 4 FT | | | | | | | | |
| 50PAR30/HIR/FL | 3 | 64 | 5.3 | 2.3 | 2.0 | 59 | 4.2 | 2.7 | 2.4 | 48 | 4.2 | 3.2 | 2.8 | 8 | 50 | 3.3 |
| CBCP - 1500 | 4 | 34 | 10.4 | 2.8 | 2.5 | 36 | 6.4 | 3.2 | 2.8 | 33 | 5.6 | 3.6 | 3.1 | 9 | 36 | 3.9 |
| Beam - 35 deg. | 5 | 19 | 24.2 | 3.4 | 3.0 | 23 | 9.9 | 3.7 | 3.2 | 23 | 7.6 | 4.0 | 3.6 | 10 | 27 | 4.5 |
| 50PAR30FL | 3 | 60 | 5.3 | 2.3 | 2.0 | 55 | 4.2 | 2.7 | 2.4 | 45 | 4.2 | 3.2 | 2.8 | 8 | 46 | 3.3 |
| CBCP - 1400 | 4 | 31 | 10.4 | 2.8 | 2.5 | 34 | 6.4 | 3.2 | 2.8 | 31 | 5.6 | 3.6 | 3.1 | 9 | 33 | 3.9 |
| Beam - 35 deg. | 5 | 18 | 24.2 | 3.4 | 3.0 | 21 | 9.9 | 3.7 | 3.2 | 21 | 7.6 | 4.0 | 3.6 | 10 | 25 | 4.5 |
| 75PAR30FL | 3 | 85 | 5.8 | 2.4 | 2.1 | 79 | 4.5 | 2.8 | 2.5 | 64 | 4.5 | 3.3 | 2.9 | 8 | 66 | 3.5 |
| CBCP - 2000 | 4 | 45 | 12.1 | 3.0 | 2.6 | 48 | 6.9 | 3.3 | 2.9 | 44 | 6.0 | 3.8 | 3.3 | 9 | 47 | 4.1 |
| Beam - 35 deg. | 5 | 26 | 32.3 | 3.6 | 3.1 | 30 | 11.0 | 3.9 | 3.4 | 31 | 8.3 | 4.3 | 3.7 | 10 | 36 | 4.8 |
| 75PAR30FL-L | 3 | 133 | 3.2 | 1.6 | 1.5 | 122 | 2.8 | 1.9 | 1.8 | 90 | 2.9 | 2.2 | 2.1 | 8 | 102 | 2.4 |
| CBCP - 3100 | 4 | 70 | 5.5 | 2.0 | 1.9 | 74 | 4.0 | 2.2 | 2.1 | 68 | 3.7 | 2.5 | 2.3 | 9 | 74 | 2.8 |
| Beam - 25 deg. | 5 | 40 | 9.3 | 2.4 | 2.2 | 47 | 5.8 | 2.6 | 2.4 | 40 | 4.9 | 2.8 | 2.7 | 10 | 55 | 3.2 |
| Walls and Vertical Objects | | | | | | | | | | | | | | Horizontal Surfaces | | |
| H | F.C. | L | W | S | F.C. | L | W | S | F.C. | L | W | S | Clg. Ht. | F.C. | Dia. & Spacing | |
| D = 3 FT | | | | D = 4 FT | | | | D = 5 FT | | | | | | | | |
| 50PAR30/HIR/NSP | 4 | 313 | 1.3 | 0.8 | 0.8 | 287 | 1.3 | 0.9 | 0.9 | 247 | 1.3 | 1.0 | 1.0 | 12 | 144 | 1.5 |
| CBCP - 13,000 | 6 | 130 | 2.4 | 1.1 | 1.0 | 139 | 2.1 | 1.1 | 1.1 | 154 | 1.8 | 1.2 | 1.2 | 16 | 71 | 2.1 |
| Beam - 9 deg. | 8 | 63 | 4.0 | 1.3 | 1.3 | 73 | 3.2 | 1.4 | 1.4 | 77 | 2.8 | 1.5 | 1.5 | 20 | 42 | 2.7 |
| 50PAR20NSP | 4 | 166 | 1.5 | 0.9 | 0.9 | 152 | 1.4 | 1.0 | 1.0 | 131 | 1.4 | 1.1 | 1.1 | 10 | 123 | 1.3 |
| CBCP - 6,900 | 6 | 69 | 2.7 | 1.2 | 1.2 | 74 | 2.3 | 1.3 | 1.2 | 81 | 2.0 | 1.3 | 1.3 | 12 | 76 | 1.7 |
| Beam - 10 deg. | 8 | 33 | 4.5 | 1.5 | 1.5 | 39 | 3.6 | 1.6 | 1.5 | 41 | 3.2 | 1.7 | 1.6 | 14 | 52 | 2.0 |
| 75PAR30NSP | 4 | 313 | 1.5 | 0.9 | 0.9 | 287 | 1.4 | 1.0 | 1.0 | 247 | 1.4 | 1.1 | 1.1 | 10 | 231 | 1.3 |
| CBCP - 13,000 | 6 | 130 | 2.7 | 1.2 | 1.2 | 139 | 2.3 | 1.3 | 1.2 | 154 | 2.0 | 1.3 | 1.3 | 14 | 98 | 2.0 |
| Beam - 10 deg. | 8 | 63 | 4.5 | 1.5 | 1.5 | 73 | 3.6 | 1.6 | 1.5 | 77 | 3.2 | 1.7 | 1.6 | 18 | 54 | 2.7 |
| 75PAR30NSP-L | 4 | 217 | 1.5 | 0.9 | 0.9 | 199 | 1.4 | 1.0 | 1.0 | 171 | 1.4 | 1.1 | 1.1 | 10 | 160 | 1.3 |
| CBCP - 9,000 | 6 | 90 | 2.7 | 1.2 | 1.2 | 96 | 2.3 | 1.3 | 1.2 | 107 | 2.0 | 1.3 | 1.3 | 14 | 68 | 2.0 |
| Beam - 10 deg. | 8 | 44 | 4.5 | 1.5 | 1.5 | 51 | 3.6 | 1.6 | 1.5 | 53.3 | 3.2 | 1.7 | 1.6 | 18 | 37 | 2.7 |

Walls and Vertical Objects

| | |
|------|--|
| H | Height from ceiling to center of beam |
| D | Distance from fixture to wall |
| F.C. | Footcandles at center of beam |
| L | Length of effective lighted area |
| W | Width of effective lighted area |
| S | Spacing of multiple fixtures to effectively light wall |

Horizontal Surfaces

| | |
|----------------|--|
| Clg. Ht. | Height from floor to ceiling |
| F.C. | Footcandles 30" from floor (work plane) |
| Dia. & Spacing | Diameter of effective lighted area and spacing to effectively light the horizontal surface |

CBCP - Center Beam Candlepower

*L is height of wall