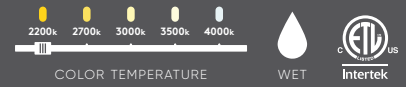


# Column

The Column series, a robust rectangular bollard that features a minimalist design for the ultimate in urban sophistication. Constructed of solid aluminum, it provides a chic solution to eco-conscious homeowners.



Model	Size	Watts	Delivered lumens	CRI	Color °T	Voltage
<b>LRB20-CC</b>	20"	12 W	600 lm	80	2200, 2700, 3000,	12 VAC
<b>LRB30-CC</b>	30"	13 W	700 lm		3500, 4000 K	

### Specifications

Over 50,000 hours of service life  
 12VAC input  
 Ground stake included  
 109° beam angle  
 Frosted lens  
 Can be mounted to wood or concrete (screws not included)  
 Cast aluminum construction  
 Switch-selectable CCT: 2200 K/2700 K/3000 K/3500 K/4000 K  
 Suitable for wet locations  
 5-year warranty

### Note

Low-voltage transformer required.  
 Sold separately.

Other color °T and finishes available, but may require MOQ's and longer lead times. Please contact your DALI representative for more information.

### Finish

● **BK** Black

### Power supplies

**LTRP-60-BK**  
 60W, 120VAC 60Hz input  
 12VAC output low-voltage transformer

**LTR-300-BK**  
 300W, 120VAC 60Hz input  
 12/13/14/15VAC output low-voltage transformer

### Accessories

**LCBL-50-16**  
 50 feet of 16 gauge low-voltage wiring

**LCBL-100-16**  
 100 feet of 16 gauge low-voltage wiring

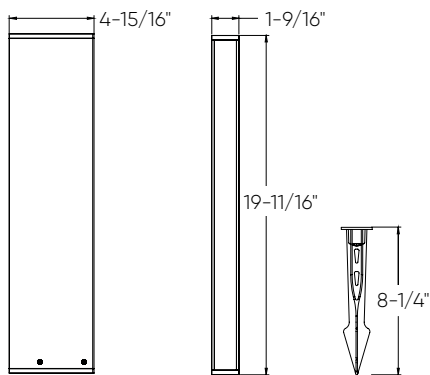
**LCBL-50-14**  
 50 feet of 14 gauge low-voltage wiring

**LCBL-100-14**  
 100 feet of 14 gauge low-voltage wiring

**LCBL-100-12**  
 100 feet of 12 gauge low-voltage wiring

**LCBL-200-12**  
 200 feet of 12 gauge low-voltage wiring

### LRB20-CC



### LRB30-CC

