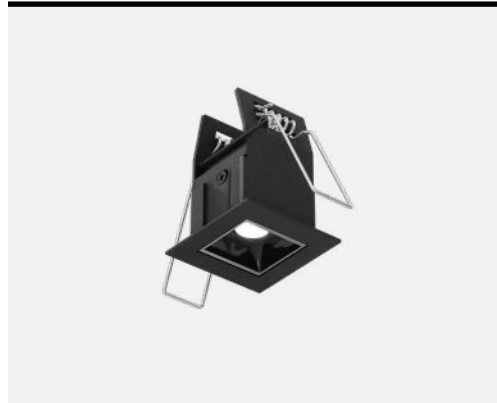


MODEL NAME **MSL1-CC**
PINPOINT SERIES
Single-Spot Recessed Downlight

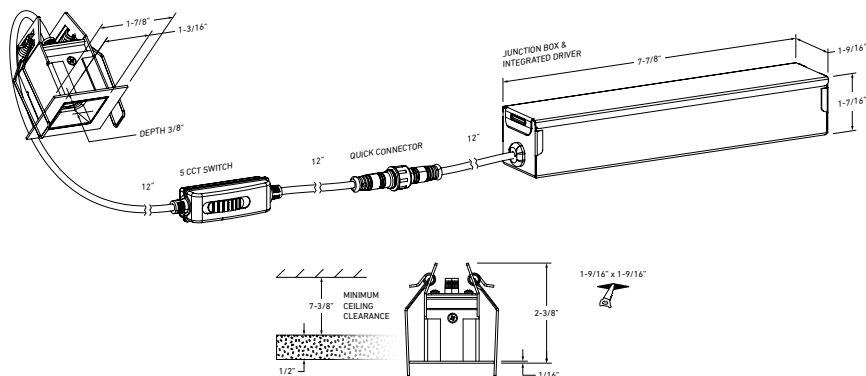
Providing a contemporary and functional style to any space, the Pinpoint series is available in various styles and features. Framed by a powder-coated finish, these high-output fixtures provide a crisp, low-glare emission.



PROJECT: _____ **TYPE:** _____

DATE: _____ **QTY:** _____

NOTES:

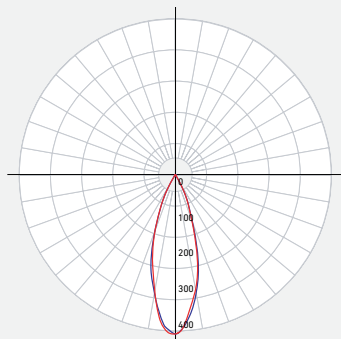


QUICK SPECS

| SIZE | WATTS | DELIVERED LUMENS* | COLOR °T 5CCT | CRI | VOLTAGE | BEAM ANGLE | FINISH |
|------|-------|-------------------|---|-----|---------|------------|---|
| 2" | 3W | 120lm | 2700K 3000K 3500K 4000K 5000K | 90 | 120V | 30° | <input type="radio"/> White <input checked="" type="radio"/> Black |

*Lumen output measured at 3000K

LIGHT DISTRIBUTION



| | | | |
|---------------------|----------------------------|--|---|
| CONSTRUCTION | Lens Clear | Type of optics Optical lens | Type of LED SMD |
| | Lens material PC | Housing material Cast aluminum | Cut hole size 1-9/16" x 1-9/16" |

| | | | |
|----------------|----------------------------|---|---|
| RATINGS | Placement Indoor | Lifespan 50,000 hrs. | FT rating FT6 |
| | Location Dry | Certifications ETL, FCC, ICES | Operating temperature -20° to 40° C |

WHAT'S IN THE BOX

- LED recessed fixture
- Junction box
- Push-in wire connectors
- Mounting hardware
- Instruction sheet

ACCESSORIES

- [RFP-MSL1](#)
Drilling Plate

ADAPTERS

- [REC-EXT108](#)
108" extension cord for recessed fixtures
- [REC-EXT230](#)
230" extension cord for recessed fixtures



**ELECTRICAL
DETAILS**

Input voltage
108-135V

Output current
246mA

Power factor
99%

Driver type
Constant current

Output voltage
5.6V

LED model #
3535

**THD harmonic
distortion**
<30%

Binning type
3 SDCM

FEATURES

Every fixture includes a junction box with an integrated driver

Superior LED performance and lifespan

Minimal heat emission
Clear lens

Switch-selectable CCT:
2700K/ 3000 K/ 3500 K/
4000 K/ 5000 K

Can be daisy chained

Regressed light source

WARRANTY

DALS offers a 5-year warranty from the date of purchase which covers repairs or replacement of defective parts of the housing, optics, and electronics. To contact DALS customer service call 1-877-430-1818 or send an e-mail to info@dals.com.

RECOMMENDED DIMMER LIST*

| BRAND | MODEL # | DIMMER SPECS | GRADE | DIMMING RANGE (%) | MAX LOAD |
|-----------|-----------------------|------------------------------------|------------|-------------------|----------|
| Dals | SM-DIMSW Smart Dimmer | Triac, 250W LED/CFL | Compatible | Min: 1 / Max: 100 | 83 |
| Lutron | MACL-153MRHW-WHC | Triac, 150 W Dimmable CFL/LED | Compatible | Min: 0 / Max: 96 | 50 |
| Lutron | DVELV-300P-WH | 300W electronic low voltage dimmer | Compatible | Min: 5 / Max: 98 | 100 |
| Lutron | MA-PRO-WH | ELV, 250W LED/CFL | Compatible | Min: 0 / Max: 98 | 83 |
| Lutron | Caseta PD-6WCL-WH-R-C | Triac, 300W Dimmable CFL/LED | Compatible | Min: 0 / Max: 97 | 100 |
| Lutron | Caseta PD-5NE-WH-C | ELV, LED—up to 250 W | Compatible | Min: 1 / Max: 99 | 83 |
| Lutron | Caseta PD-10NXD-WH | Triac, LED—up to 250 W | Compatible | Min: 1 / Max: 97 | 83 |
| Leviton | 6672-1LW | Triac, 150W Dimmable CFL/LED | Compatible | Min: 16 / Max: 96 | 50 |
| Leviton | DSM10 | Triac, 450W Dimmable CFL/LED | Compatible | Min: 16 / Max: 96 | 150 |
| Leviton | 6674 | Triac, 150 W Dimmable CFL/LED | Compatible | Min: 10 / Max: 99 | 50 |
| Leviton | PL06-10Z | Triac, 150 W Dimmable CFL/LED | Compatible | Min: 15 / Max: 99 | 50 |
| Leviton | DSL06-752 | Triac, 150 W Dimmable CFL/LED | Compatible | Min: 15 / Max: 99 | 50 |
| Leviton | D26HD-742-1RW | Triac, 300W LED/CFL | Compatible | Min: 5 / Max: 99 | 100 |
| Legrand | ADTP703TUM4 | Triac, 450W Dimmable CFL/LED | Compatible | Min: 10 / Max: 88 | 150 |
| Legrand | RHL373PW | Triac, 250W LED | Compatible | Min: 3 / Max: 96 | 83 |
| Control 4 | C4-APD120-WH | ELV, 120W LED | Compatible | Min: 0 / Max: 100 | 40 |
| Control 4 | C4-FPD120-WH | Triac, 200W LED | Compatible | Min: 0 / Max: 99 | 66 |

* Minimal buzzing noise may occur with some dimmers